

FEATURES AND SPECIFICATIONS

Features and Benefits

- "Offset Terminal Retention" for optimum retention to PC board during wave soldering
- Solderable retention clip provides additional retention to PCB
- Fully polarized to mating receptacle
- Surface Mount Compatible

Reference Information

Product Specification: PS-43045
 Packaging: Tray
 UL File No.: E29179
 CSA File No.: LR19980
 TUV License No.: R95107
 Mates With: 43025
 Designed In: Millimeters

Electrical

Voltage: 250V
 Current: 5.0A max.
 Contact Resistance: 10mΩ max.
 Dielectric Withstanding Voltage: 1500V AC
 Insulation Resistance: 1000 MΩ min.

Mechanical

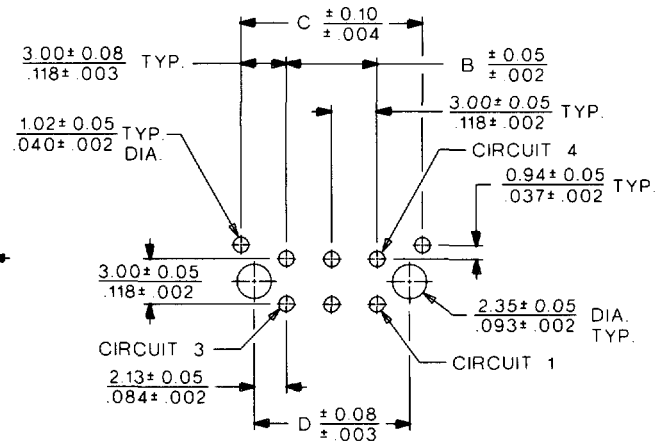
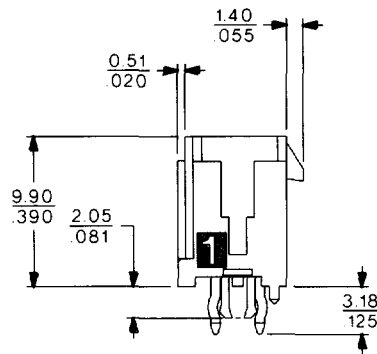
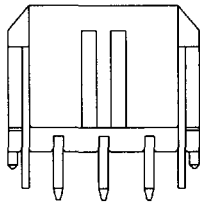
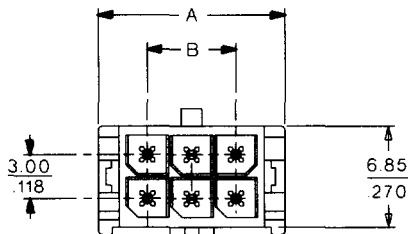
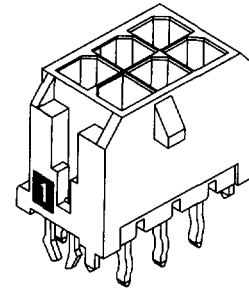
Insertion Force to PCB: 7.5kgf max. (16.5 lb)

Physical

Housing: High temperature LCP, UL 94V-0
 Contact: Phosphor Bronze
 Plating: Tin or Gold

molex® 3.00mm (.118") Micro-Fit 3.0™ Wire-to-Board Header

43045 Dual Row, Vertical With Solderable Retention Clip



PCB LAYOUT: COMPONENT SIDE

RECOMMENDED PCB THICKNESS: $\frac{1.57}{062}$

ORDERING INFORMATION AND DIMENSIONS

Circuits	Order No.			Dimension				Overall Height When Mated With:	
	Tin	15µ" Gold	30µ" Gold	A	B	C	D		
2	43045-0224	43045-0225	43045-0226	6.65 (.262)		6.00 (.236)	4.30 (.169)	43025	17.27 (.680)
4	43045-0424	43045-0425	43045-0426	9.65 (.380)	3.00 (.118)	9.00 (.354)	7.30 (.287)	43025	17.27 (.680)
6	43045-0624	43045-0625	43045-0626	12.65 (.498)	6.00 (.236)	12.00 (.472)	10.30 (.406)	43025	17.27 (.680)
8	43045-0824	43045-0825	43045-0826	15.65 (.616)	9.00 (.354)	15.00 (.590)	13.30 (.524)	43025	17.27 (.680)
10	43045-1024	43045-1025	43045-1026	18.65 (.734)	12.00 (.472)	18.00 (.708)	16.30 (.642)	43025	17.27 (.680)
12	43045-1224	43045-1225	43045-1226	21.65 (.852)	15.00 (.591)	21.00 (.827)	19.30 (.760)	43025	17.27 (.680)
14	43045-1424	43045-1425	43045-1426	24.65 (.970)	18.00 (.709)	24.00 (.945)	22.30 (.878)	43025	17.27 (.680)
16	43045-1624	43045-1625	43045-1626	27.65 (1.088)	21.00 (.827)	27.00 (1.063)	25.30 (.996)	43025	17.27 (.680)
18	43045-1824	43045-1825	43045-1826	30.65 (1.206)	24.00 (.945)	30.00 (1.181)	28.30 (1.114)	43025	17.27 (.680)
20	43045-2024	43045-2025	43045-2026	33.65 (1.325)	27.00 (1.063)	33.00 (1.299)	31.30 (1.232)	43025	17.27 (.680)
22	43045-2224	43045-2225	43045-2226	36.65 (1.443)	30.00 (1.181)	36.00 (1.417)	34.30 (1.350)	43025	17.27 (.680)
24	43045-2424	43045-2425	43045-2426	39.65 (1.561)	33.00 (1.299)	39.00 (1.535)	37.30 (1.469)	43025	17.27 (.680)

