

Low Profile and Flush Mounting

Single Chip LED

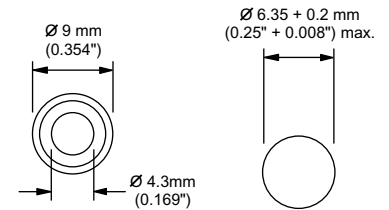
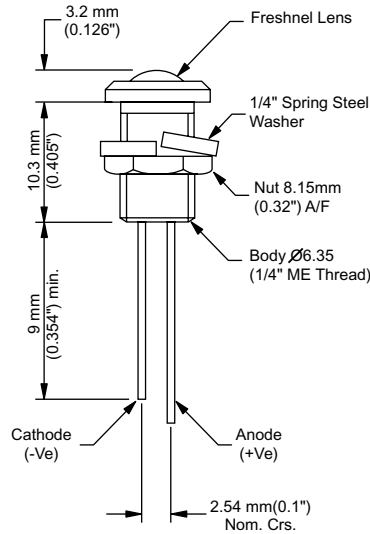
Fresnel Lens

IP66 - Ø6.35

Features

- Coloured low profile and prominent fresnel lens;
- Standard aluminium and black anodized option;
- Ideal where panel space is at a premium;
- Five voltage ranges as standard.

Dimensions in mm (inches)



Front View Mounting Hole

Ordering Information and Technical Characteristics (Ta = 25°C)

Ordering Information	Colour	Lens Type	Forward Voltage	Current (mA)	Luminous Intensity	Reverse Voltage	Viewing Angle	Operating Temp	Storage Temp
OXL/CLH/63/RD	Red	Coloured	2.2	15	45	5	80°	-40 to +85	-40 to +85
OXL/CLH/63/YW	Yellow		2.2	15	45	5			
OXL/CLH/63/GN	Green		2.2	15	45	5			
OXL/CLH/63/H/RD	Red	Fresnel	1.9	15	1250	5			
OXL/CLH/63/H/YW	Yellow		2.2	15	1000	5			
OXL/CLH/63/H/GN	Green		3.6	15	1250	5			
OXL/CLH/63/H/BE	Blue	Lens	3.6	15	1200	5			
OXL/CLH/63/H/WE	White		3.6	15	1000	5			
			V	mA	mcd			°C	°C

Continued...

Ordering Information	Colour	Lens Type	Forward Voltage	Current (mA)	Luminous Intensity	Reverse Voltage	Viewing Angle	Operating Temp	Storage Temp				
OXL/CLH/63/5/RD	Red	Coloured	5	15	35	5	80°	40	-40				
OXL/CLH/63/5/YW	Yellow												
OXL/CLH/63/5/GN	Green												
OXL/CLH/63/5/H/RD	Red												
OXL/CLH/63/5/H/YW	Yellow												
OXL/CLH/63/5/H/GN	Green												
OXL/CLH/63/5/H/BE	Blue												
OXL/CLH/63/5/H/WE	White												
OXL/CLH/63/12/RD	Red												
OXL/CLH/63/12/YW	Yellow												
OXL/CLH/63/12/GN	Green												
OXL/CLH/63/12/H/RD	Red												
OXL/CLH/63/12/H/YW	Yellow												
OXL/CLH/63/12/H/GN	Green												
OXL/CLH/63/12/H/BE	Blue												
OXL/CLH/63/12/H/WE	White												
OXL/CLH/63/24/RD	Red	Fresnel	24	15	35	5	80°	to	to				
OXL/CLH/63/24/YW	Yellow												
OXL/CLH/63/24/GN	Green												
OXL/CLH/63/24/H/RD	Red												
OXL/CLH/63/24/H/YW	Yellow												
OXL/CLH/63/24/H/GN	Green												
OXL/CLH/63/24/H/BE	Blue												
OXL/CLH/63/24/H/WE	White												
OXL/CLH/63/28/RD	Red		Lens	28	15	35				5	80°	+85	+85
OXL/CLH/63/28/YW	Yellow												
OXL/CLH/63/28/GN	Green												
OXL/CLH/63/28/H/RD	Red												
OXL/CLH/63/28/H/YW	Yellow												
OXL/CLH/63/28/H/GN	Green												
OXL/CLH/63/28/H/BE	Blue												
OXL/CLH/63/28/H/WE	White												
				V	mA	mcd			°C	°C			

Mean time before failure 90,000 hrs

Clear lens and black anodised bodies available on request - denoted by **CL** and **BB** within the part number. e.g. OXL/CLH/63/BB/28/CL/H/WE

Customer specials available on request.

Prominent Wide Viewing

Single Chip LED

Fresnel Lens

IP66 Ø6.35

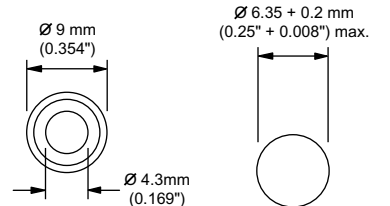
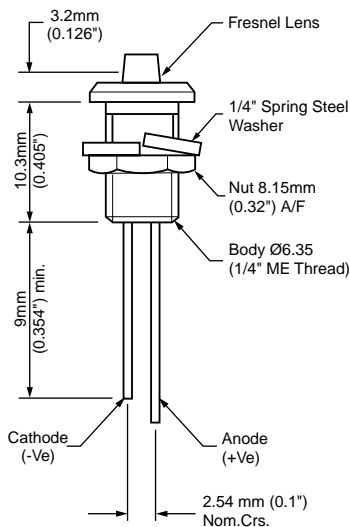
Features

Coloured prominent Fresnel lens;

Rugged metal body construction;

Aluminium body
(black anodised optional);

Ideal where panel space is at
a premium.



Front View Mounting Hole

Ordering Information and Technical Characteristics (Ta = 25°C)

Ordering Information	Colour	Lens Type	Forward Voltage	Current (mA)	Luminous Intensity	Reverse Voltage	Viewing Angle	Operating Temp	Storage Temp		
OXL/CLH/63/P/RD	Red	Coloured	2.2	20	45	5	100°	-40	-40		
OXL/CLH/63/P/YW	Yellow		2.2	20	45	5					
OXL/CLH/63/P/GN	Green		2.2	20	45	5					
OXL/CLH/63/P/H/RD	Red	Prominent	1.9	20	1200	5				to	to
OXL/CLH/63/P/H/YW	Yellow		2.2	20	1000	5					
OXL/CLH/63/P/H/GN	Green		3.6	20	1250	5					
OXL/CLH/63/P/H/BE	Blue	Fresnel	3.6	20	1200	5		+85	+85		
OXL/CLH/63/P/H/WE	White		3.6	20	1000	5					
OXL/CLH/63/5/P/RD	Red		Lens	5	15	35					
OXL/CLH/63/5/P/YW	Yellow	5		15	35	5					
OXL/CLH/63/5/P/GN	Green	5		15	35	5					
OXL/CLH/63/5/P/H/RD	Red	Lens	5	15	900	5				+85	+85
OXL/CLH/63/5/P/H/YW	Yellow		5	15	750	5					
OXL/CLH/63/5/P/H/GN	Green		5	15	940	5					
			V	mA	mcd			°C	°C		

Continued ...

Ordering Information	Colour	Lens Type	Forward Voltage	Current (mA)	Luminous Intensity	Reverse Voltage	Viewing Angle	Operating Temp	Storage Temp			
OXL/CLH/63/5/P/H/BE	Blue	Coloured	5	15	900	5	100°	-40	-40			
OXL/CLH/63/5/P/H/WE	White		5	15	750	5						
OXL/CLH/63/12/P/RD	Red		12	15	35	5						
OXL/CLH/63/12/P/YW	Yellow		12	15	35	5						
OXL/CLH/63/12/P/GN	Green		12	15	35	5						
OXL/CLH/63/12/P/H/RD	Red		12	15	900	5						
OXL/CLH/63/12/P/H/YW	Yellow		12	15	750	5						
OXL/CLH/63/12/P/H/GN	Green		12	15	940	5						
OXL/CLH/63/12/P/H/BE	Blue		12	15	900	5						
OXL/CLH/63/12/P/H/WE	White		12	15	750	5						
OXL/CLH/63/15/P/RD	Red		Prominent	15	15	35				5	to	to
OXL/CLH/63/15/P/YW	Yellow			15	15	35				5		
OXL/CLH/63/15/P/GN	Green	15		15	35	5						
OXL/CLH/63/15/P/H/RD	Red	15		15	900	5						
OXL/CLH/63/15/P/H/YW	Yellow	15		15	750	5						
OXL/CLH/63/15/P/H/GN	Green	15		15	940	5						
OXL/CLH/63/15/P/H/BE	Blue	15		15	900	5						
OXL/CLH/63/15/P/H/WE	White	15		15	750	5						
OXL/CLH/63/24/P/RD	Red	Fresnel		24	15	35	5	to	to			
OXL/CLH/63/24/P/YW	Yellow			24	15	35	5					
OXL/CLH/63/24/P/GN	Green			24	15	35	5					
OXL/CLH/63/24/P/H/RD	Red			24	15	900	5					
OXL/CLH/63/24/P/H/YW	Yellow		24	15	750	5						
OXL/CLH/63/24/P/H/GN	Green		24	15	940	5						
OXL/CLH/63/24/P/H/BE	Blue		24	15	900	5						
OXL/CLH/63/24/P/H/WE	White		24	15	750	5						
OXL/CLH/63/28/P/RD	Red		Lens	28	15	35	5			+85	+85	
OXL/CLH/63/28/P/YW	Yellow			28	15	35	5					
OXL/CLH/63/28/P/GN	Green			28	15	35	5					
OXL/CLH/63/28/P/H/RD	Red			28	15	900	5					
OXL/CLH/63/28/P/H/YW	Yellow	28		15	750	5						
OXL/CLH/63/28/P/H/GN	Green	28		15	940	5						
OXL/CLH/63/28/P/H/BE	Blue	28		15	900	5						
OXL/CLH/63/28/P/H/WE	White	28		15	750	5						
			V	mA	mcd			°C	°C			

Coloured standard lens / Optional prominent clear lens available - denoted by **P/CL** in part numbering.
 e.g. OXL/CLH/63/P/CL/GN

Customer specials available on request.