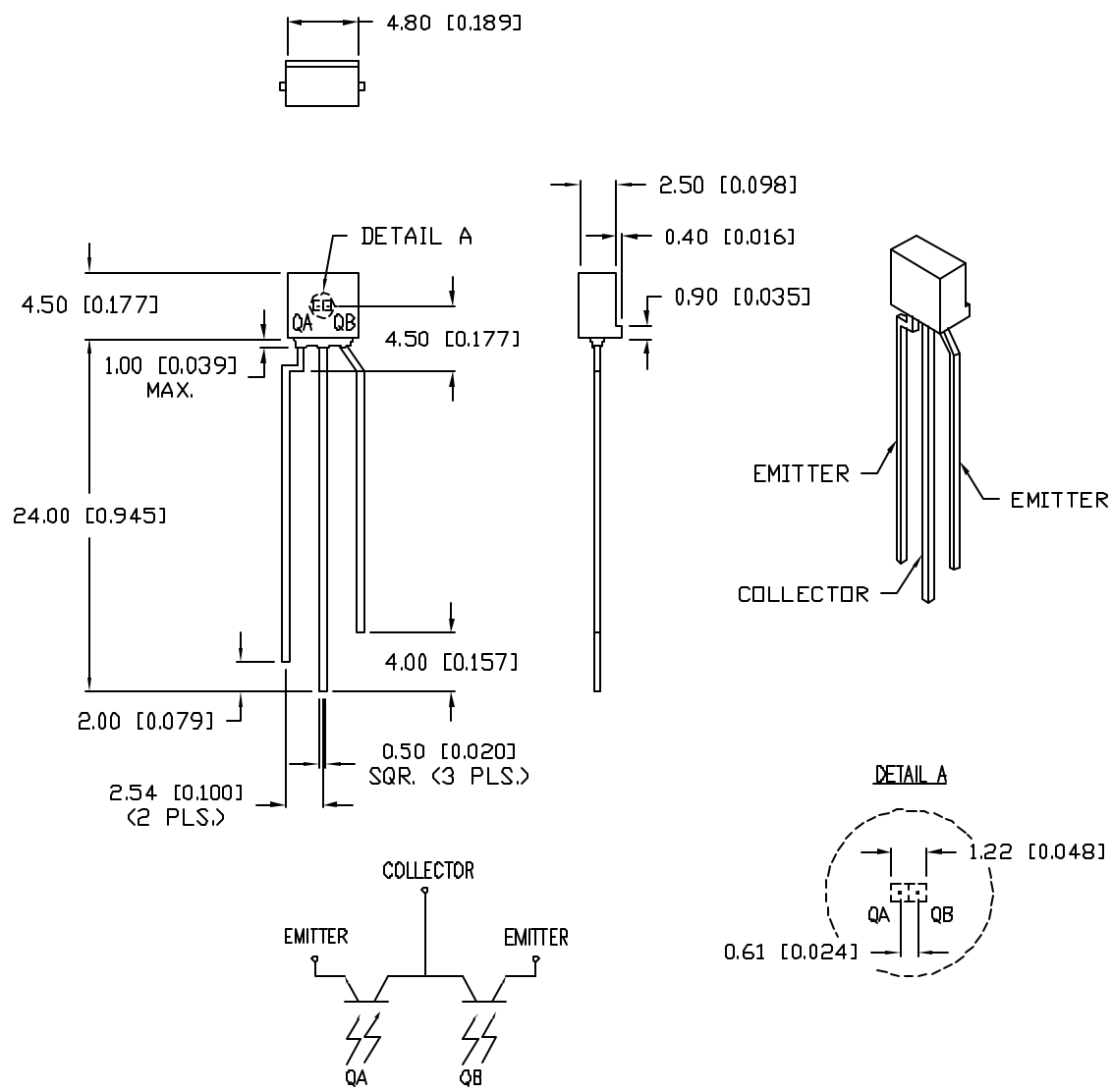


UNCONTROLLED DOCUMENT

PART NUMBER
OED-ST-392T

REV.
B

REV.	E.C.N. NUMBER AND REVISION COMMENTS	DATE
A	E.C.N. #10BRDR. & REDRAWN.	9.25.00
B	E.C.N. #10BRDR. & REDRAWN IN 3D.	5.30.03



ELECTRO-OPTICAL CHARACTERISTICS $T_A=25^\circ\text{C}$

PARAMETER	SYMBOL	TEST CONDITION	MIN	TYP	MAX	UNIT
COLLECTOR DARK CURRENT	I_{ced}	$V_{ce}=10\text{V}$ $E_e=0.0\text{mw/cm}^2$			100	nA
COLLECTOR LIGHT CURRENT	I_c	$V_{ce}=10\text{V}$ $E_e=0.15\text{mw/cm}^2$	0.3	0.6		mA
COLLECTOR-EMITTER SATURATION VOLTAGE	$V_{ce(sat)}$	$I_c=0.4\text{mA}$ $E_e=0.5\text{mw/cm}^2$		0.3	0.4	V
SWITCHING SPEEDS:		$V_{cc}=5\text{V}$				
RISING TIME	T_r	$I_c=1\text{mA}$		15		μS
FALLING TIME	T_f	$R_l=1000\Omega$		15		μS
PEAK WAVELENGTH	λ_p			800		nm
ANGULAR RESPONSE	$\Delta\theta$			± 30		DEG
LENS COLOR:				BLACK		

LIMITS OF SAFE OPERATION AT 25°C

PARAMETER	MAX	UNITS
C/E BREAKDOWN VOLTAGE	30	V
E/C BREAKDOWN VOLTAGE	5	V
COLLECTOR CURRENT	20	mA
POWER DISSIPATION	75	mW
OPERATING TEMP.	-20 TO +70	$^\circ\text{C}$
STORAGE TEMP.	-25 TO +80	$^\circ\text{C}$
SOLDERING TEMP.	+260	$^\circ\text{C}$
2.0mm FROM BODY		3 SEC. MAX

UNCONTROLLED DOCUMENT

*UNLESS OTHERWISE SPECIFIED TOLERANCES PER DECIMAL PRECISION ARE: X=±1 (±0.039), XX=±0.5 (±0.020), XXX=±0.25 (±0.010), XXXX=±0.127 (±0.005). LEAD SIZE=±0.05 (±0.002), LEAD LENGTH=±0.75 (±0.030), MIN.=^{+DECIMAL PRECISION}-0.00 ^{MAX.=+0.00}-DECIMAL PRECISION

REV. B	PART NUMBER OED-ST-392T
4.8mm x 4.5mm PHOTO TRANSISTOR, BLACK LENS.	

CONFIDENTIAL INFORMATION
THE INFORMATION CONTAINED IN THIS DOCUMENT IS THE PROPERTY OF LUMEX INC. EXCEPT AS SPECIFICALLY AUTHORIZED IN WRITING BY LUMEX INC., THE HOLDER OF THIS DOCUMENT SHALL KEEP ALL INFORMATION CONTAINED HEREIN CONFIDENTIAL AND SHALL PROTECT SAME IN WHOLE OR IN PART FROM DISCLOSURE AND DISSEMINATION TO ALL THIRD PARTIES.

RELIABILITY NOTE
OUR MANY YEARS OF EXPERIENCE DATA ACCUMULATION INDICATE THAT SOLDER HEAT IS A MAJOR CAUSE OF EARLY AND FUTURE FAILURE. PLEASE PAY ATTENTION TO YOUR SOLDERING PROCESS.

290 E. HELEN ROAD
PALATINE, IL 60067-6976
PHONE: +1.847.359.2790
US WEB: www.lumex.com
TW WEB: www.lumex.com.tw

DRAWN BY: BC
CHECKED BY:
APPROVED BY:

DATE: 2.8.93	
PAGE: 1 OF 1	
SCALE: N/A	