

Fiber Optic Devices

OD-9270-□-□□□ M-□□ (MMF Connector)
OD-9271-□-□□□ M-□□ (SMF Connector)
OD-9273-□-□□□ M-□□ (MMF Connector)
OD-9274-□-□□□ M-□□ (SMF Connector)
OD-9280, OD-9283, OD-9284, OD-9285, OD-9290, OD-S197
SC Fiber Connectors

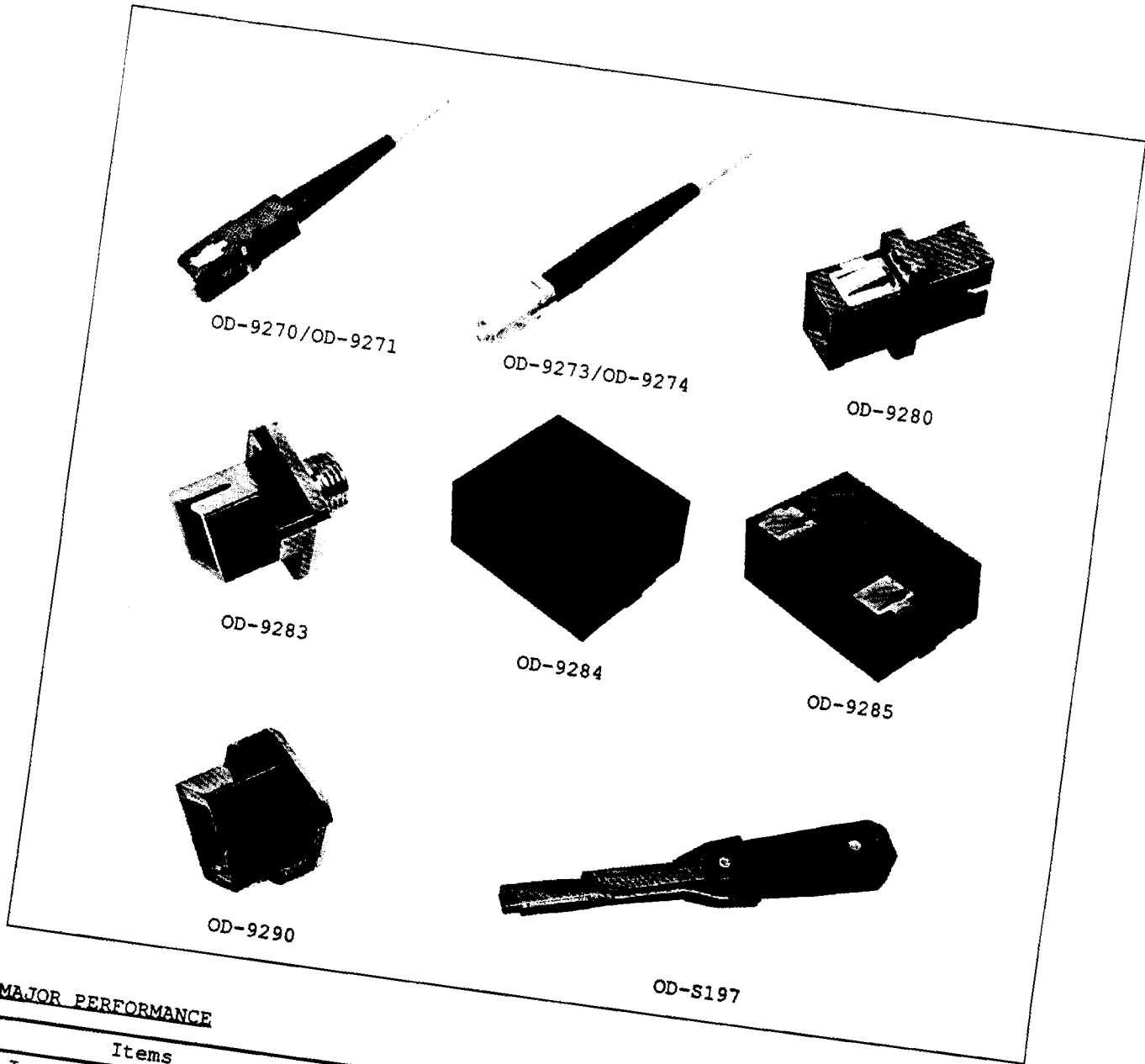
SC Connector is push-on type optical connector, and its design allows easy connections.

This SC connector is an NTT specified connector.

- OD-9270: Multi-mode fiber pigtail or patch cord with SC connector plug.
- OD-9271: Single-mode fiber pigtail or patch cord with SC connector plug.
- OD-9273: Multi-mode fiber pigtail or patch cord with SC connector plug.
(Using Removal Jig Type)
- OD-9274: Single-mode fiber pigtail or patch cord with SC connector plug.
(Using Removal Jig Type)
- OD-9280: Through adapter for connecting two SC plugs.
- OD-9283: Through adapter for connecting SC and FC plug.
- OD-9284: Through adapter for connecting four pairs of SC plugs.
(Using Removal Jig Type)
- OD-9285: Through adapter for connecting four pairs of SC plugs.
(Using Removal Jig Type)
- OD-9290: Receptacle for coupling the SC plug to device.
- OD-S197: Removal Jig for using jig type SC plugs.

FEATURES

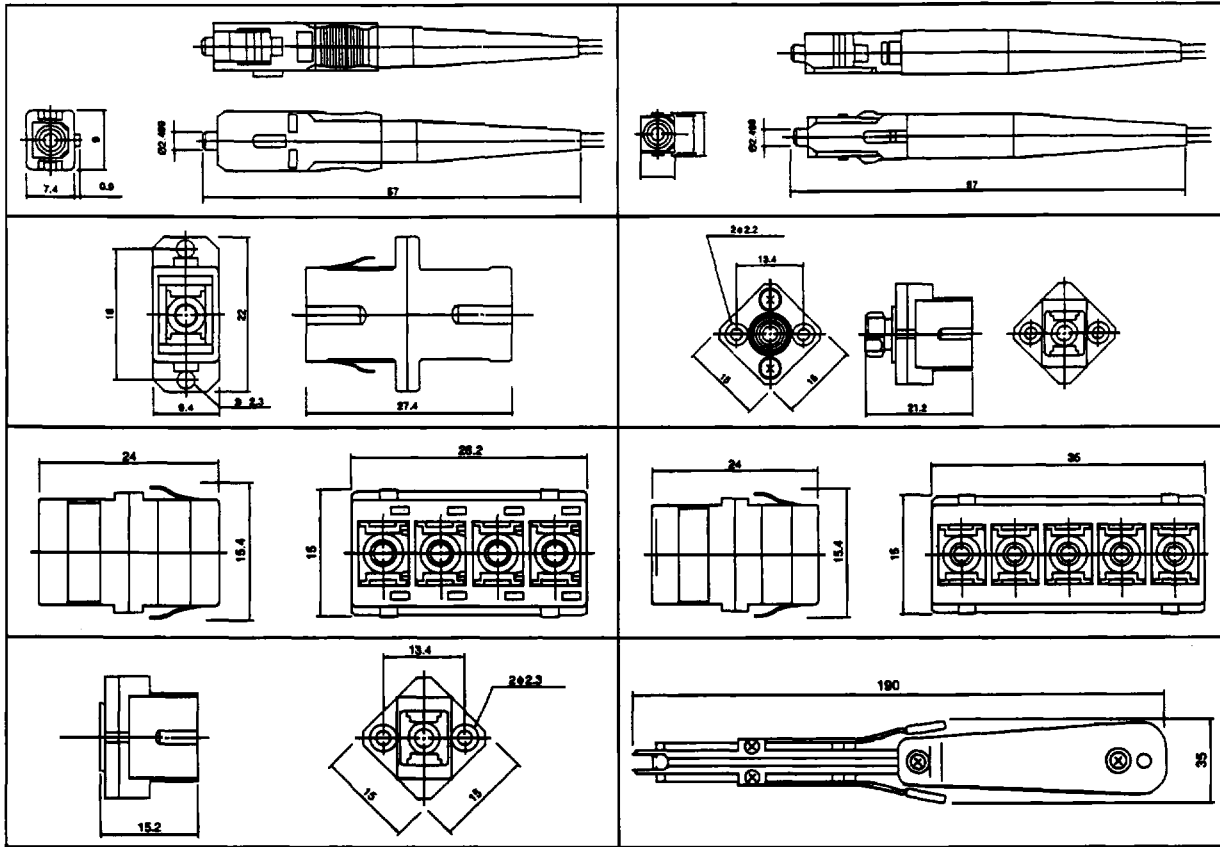
- Easy handling by push-on mechanism
- Low insertion loss and high return loss by spherical PC polishing.
- High density types (using removal jig type) are also available.
- NTT specified connector.



MAJOR PERFORMANCE

Items	Specifications	
	Insertion Loss	SMF
Return Loss	MMF	<0.3 dB (Equilibrium mode)
	SMF	>28 dB
Durability	MMF	>25 dB
	>1000 times connection	
Cable Diameter	φ2mm, φ3mm	
Heat Cycle	50 cycle (-20°C +70°C)	
Vibration	10~55 Hz, double amplitude 1.5mm	
Mechanical Shock	>100 G	
Strain Relief	>10 kgf	
Operating Temperature	-20°C +80°C	

DIMENSIONS



ORDERING INFORMATION

Pigtail OD-9270-1-***M-*** Patch cord OD-9270-2-***M-***
 OD-9271-1-***M-*** OD-9271-2-***M-***
 OD-9273-1-***M-*** OD-9273-2-***M-***
 OD-9274-1-***M-*** OD-9274-2-***M-***

└── Fiber designation
 └── Required fiber length (Meter)

Fiber designation	Fiber	Sheath Dia.	Attenuation	Note
GE	GI 50/125	3mm	4.5 dB/km	MMF
GR	GI 62.5/125	3mm	3 dB/km	MMF
KP	GI 85/125	3mm	4 dB/km	MMF
FM	SMF 10/125	3mm	2 dB/km	SMF
KQ	GI 50/125	2mm	4.5 dB/km	MMF
KR	GI 62.5/125	2mm	3 dB/km	MMF
KT	GI 85/125	2mm	4 dB/km	MMF
KU	SMF 10/125	2mm	2 dB/km	SMF

NOTE: Specifications are subject to change without previous notice.

NEC NEC Corporation

NEC Building
 33-1 Shiba Gochome, Minato-ku
 Tokyo 106, Japan
 Tel: Tokyo 454-1111
 Cable Address: NEC TOKYO
 Telex Address: NECTOK J22686

NEC Electronics, Inc.

401 Ellis Street, P.O. Box 7241
 Mountain View, California 94043,
 U.S.A.
 Tel: 415-990-8000
 Telex: 3715792 NECEL MTNVW
 Fax: 415-995-6130-1

**NEC Electronics (Europe) GmbH
 NEC Electronics (Germany) GmbH**

Oberatter Str. 4
 4000 Dusseldorf 30 West Germany
 Tel: 0211-850302
 Telex: 558-696-0 NEC D
 Fax: 211-850327
 211-8503269

FO-0606
 8909

Printed in Japan