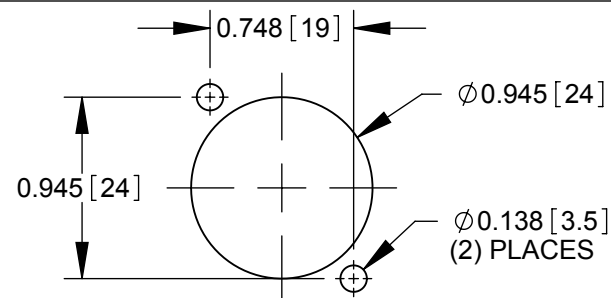
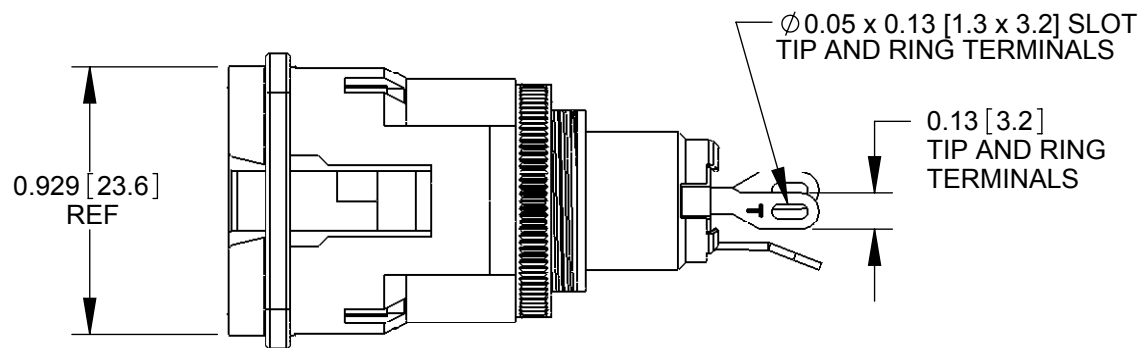
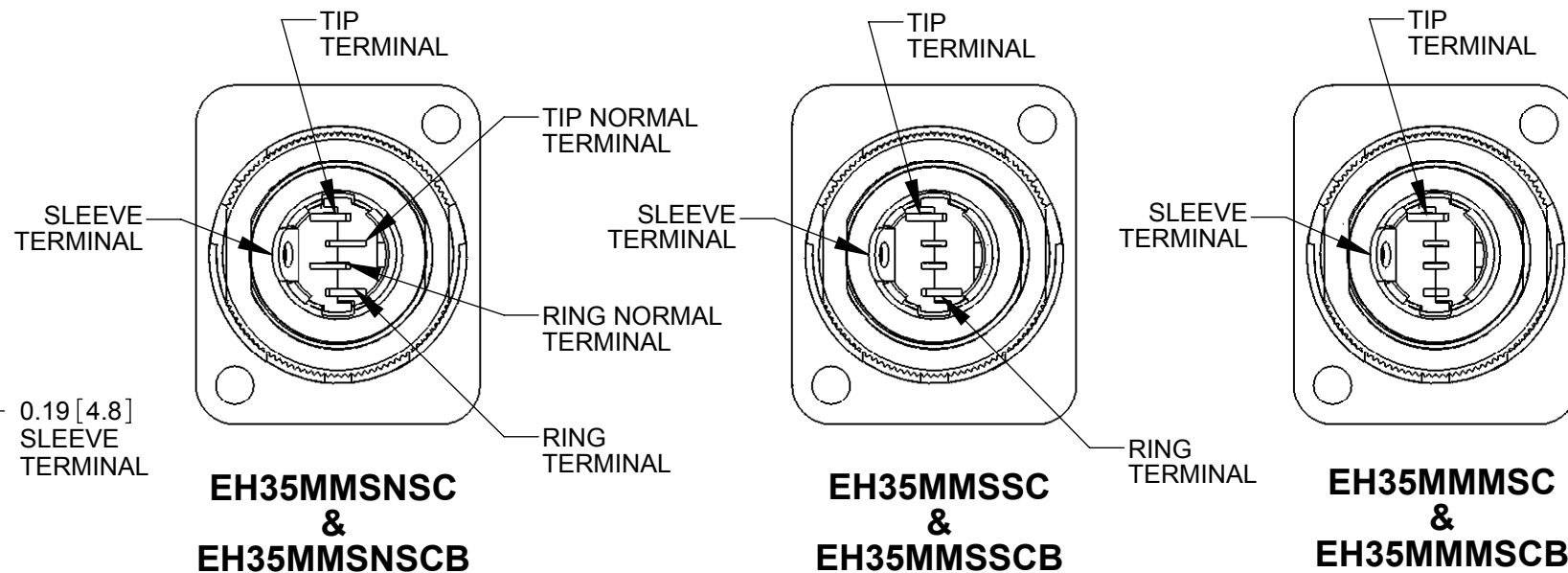
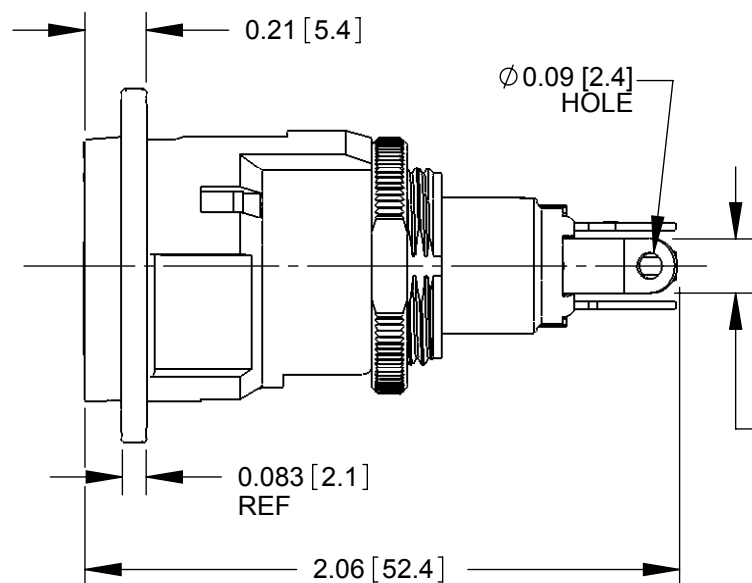
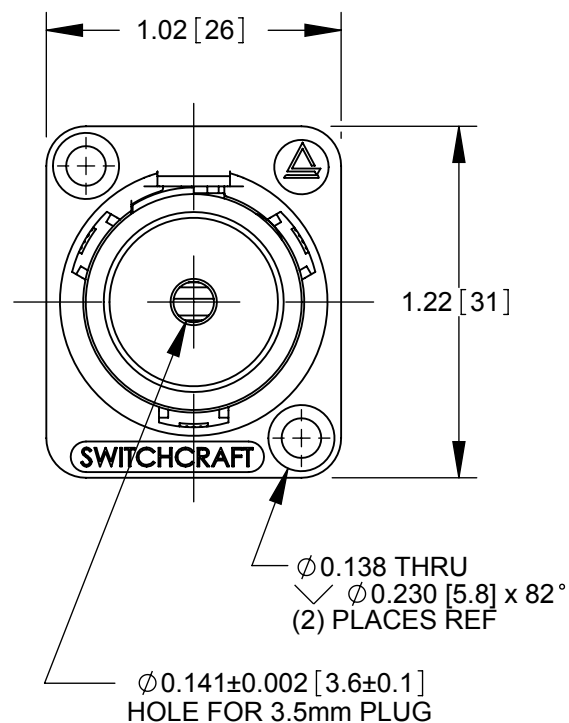
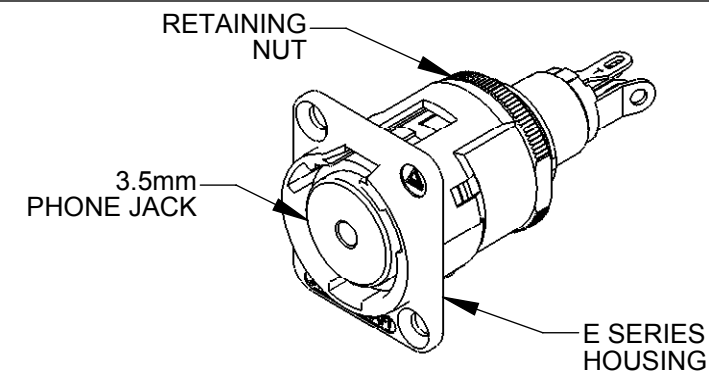


**EH35MMSNSC  
SHOWN**



**RECOMMENDED  
PANEL CUT-OUT**



**NOTES:**

- MATERIALS:**  
HOUSING - ZINC ALLOY, SEE TABLE FOR FINISH  
RETAINING NUT - BRASS, NICKEL PLATED  
3.5mm PHONE JACK:  
JACK HOUSING - BRASS, NICKEL PLATED  
SPRINGS - NICKEL SILVER  
INSULATORS - THERMOPLASTIC  
INSERT OVERMOLD - THERMOPLASTIC
- SHIPPED ASSEMBLED WITHOUT PANEL MOUNTING HARDWARE. ADD "PKG" SUFFIX TO INCLUDE MOUNTING SCREWS AND INDIVIDUAL PACKAGING.
- THESE PRODUCTS ARE RoHS COMPLIANT.

PART NUMBER	DESCRIPTION	E SERIES HOUSING FINISH
EH35MMMSC	EH SERIES 3.5mm JACK, 2-CONDUCTOR MONO	NICKEL
EH35MMMSCB	EH SERIES 3.5mm JACK, 2-CONDUCTOR MONO	BLACK CHROME
EH35MMSSC	EH SERIES 3.5mm JACK, 3-CONDUCTOR STEREO	NICKEL
EH35MMSSCB	EH SERIES 3.5mm JACK, 3-CONDUCTOR STEREO	BLACK CHROME
EH35MMSNSC	EH SERIES 3.5mm JACK, 5-CONDUCTOR STEREO NORMALED	NICKEL
EH35MMSNSCB	EH SERIES 3.5mm JACK, 5-CONDUCTOR STEREO NORMALED	BLACK CHROME

**CUSTOMER DRAWING**

					THIS DRAWING DESCRIBES A DESIGN CONSIDERED PROPRIETARY IN NATURE, DEVELOPED AND MANUFACTURED BY SWITCHCRAFT INC. AND IS RELEASED ON A CONFIDENTIAL BASIS FOR IDENTIFICATION PURPOSES ONLY.				
					SIZE	WIDTH	MULT	LBS/M	TEMPER
					UNLESS OTHERWISE SPECIFIED			MATERIAL SPEC No.	
					1. ALL DIMENSIONS IN INCHES			SCALE 1.5:1	
					- TWO PLACE DECIMALS ±0.02			Switchcraft®	
					- THREE PLACE DECIMALS ±0.005			SHEET 1 OF 1	
A	25459	10/20/06	RS	TJK	DATE DRAWN	BY	CHKD	APVD	PART No.
REV	ECO NUMBER	DATE	BY	APVD	10/17/05	PNK	RS	TJK	EH35MM SERIES
REVISIONS					DO NOT SCALE DRAWING				
					NAME			REV	
					EH SERIES 3.5mm PHONE JACK			A	