

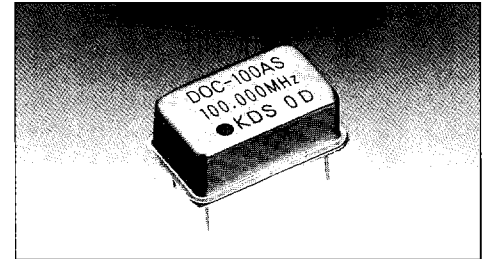
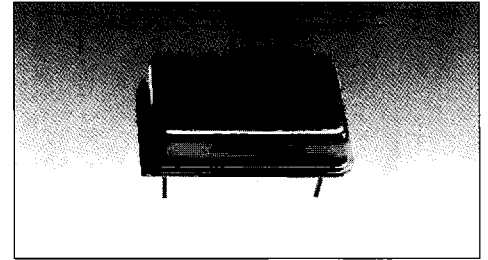


SPECIFICATIONS

ITEM	TYPE	DOC-2	DOC-20	DOC-70	DOC-100
Output		TTL			
Frequency Range		0.25-4.0MHz	4.01-23.9MHz	24-70MHz	70-100MHz
Frequency Tolerance*		±50ppm; ±100ppm			
Operating Temperature Range		0-+70°C			
Storage Temperature Range		-55-+125°C			
OUTPUT	'0' Level	+0.5Vmax	+0.5Vmax. or +0.4V max.	+0.4V max./24.0-32.0MHz +0.5V max./32.1-70.0MHz	+0.5V max
	'1' Level		+2.4V min.		
	Symmetry		60/40-40/60% at 1.4V DC Level		
	Rise and Fall Time	15ns max.	15 ns. max./4.0-8.99MHz 10 ns max./9.0-23.9MHz	10 ns max./24.0-32.0MHz 6 ns max./32.1-70.0MHz	4ns max.
refer to Fig-1 Fig-3	Output Load	*0 TTL STD GATES			5TTL
Power Supply voltage		+5V DC±0.25V	-5V DC ±0.25V	+5V DC ±0.5V	+5V DC ±0.25V
Current consumption		30mA max./+5V 25°C		35mA max./+5V 25°C	50mA max./+5V 25°
Dimensions		Fig-2			

* Inclusive of 25°C tolerance, operating temperature range, input voltage change, load change, aging, shock and vibration.

**DOC-2
DOC-20
DOC-70
DOC-100**



ELECTRICAL PARAMETERS AND DIMENSIONS (MM)

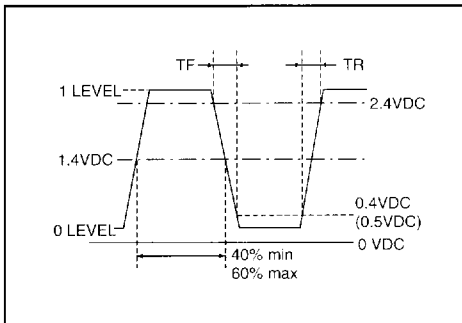


Fig 1) Output Wave Form

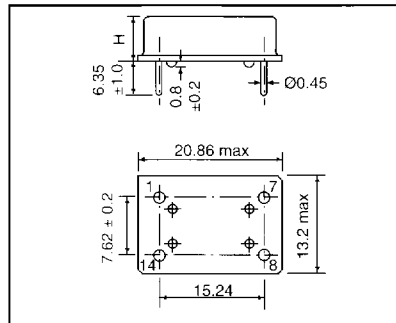


Fig 2) Dimensions

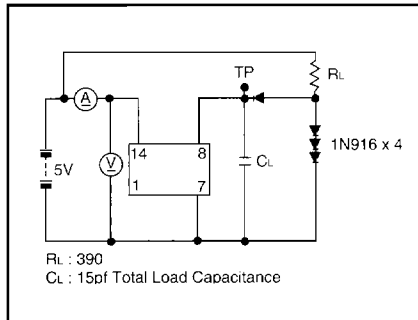


Fig 3) Measurement Circuit (Includes probe capacitance)

	(H) Height	Pin Connections
DOC-2	5.08 max.	#1 NC
DOC-20	5.08 max.	#7 GND (CASE GND)
DOC-70	5.08 max.	#8 OUTPUT
DOC-100	8.0 max.	#14 +5.0V DC

Fig 2A) Case Height

Fig 2B) Pin Connections

	RL
DOC-2	390Ω
DOC-20	390Ω
DOC-70	390Ω
DOC-100	820Ω

Fig 3A) RL

KDS's DOC-2, -20, -70 and -100 hybrid oscillators are compatible with TTL circuitry and offer a dependable, proven design, hermetically-sealed and state-of-the-art technology. With 7-pin case ground, the metal package also provides shielding to minimize radiation, meeting FCC EMI specifications. Insulated stand-offs permit good solderability.