

Plastic Surface Mount Oscillators

Series **CPO**

The Cardinal CPO plastic oscillator features TTL/HCMOS compatible technologies. The CPO internal construction is highly durable and provides excellent protection from shock and vibration stresses. The CPO can withstand vapor phase and other high temperature soldering conditions. Tristate enable function is now a standard on the CPO oscillator.

Specifications:

Frequency Range:	1.500000 ~ 70.000000 MHz	
Frequency Stability:	±100 ppm <i>Standard</i> ± 50 ppm	
Operating Temperature:	-10°C ~ +70°C <i>Standard</i> -40°C ~ +85°C	
Storage Temperature:	-55°C ~ +125°C	
Input Voltage:	+5.0 ± 0.5 V	
Input Current:	1.5000 ~ 26.000000	25 mA Max
	26.000+ ~ 70.000000	35 mA Max
Output Voltage:	Output '0' Level 0.4 V Max	Output '1' Level 4.5 V Min
Symmetry:	40/60 % @ 1.4 V	
Rise/Fall Time:	1.50000 ~ 26.000000	8 ns Max
	26.0000+ ~ 70.000000	7 ns Max
Start-up Time:	10 ms Max	
Output Load:	TTL: 1.500 ~ 36.000000	10 TTL
	36.00+ ~ 70.000000	5 TTL
	HCMOS: 1.500 ~ 26.000000	50 pF
	26.00+ ~ 36.000000	30 pF
	36.00+ ~ 70.000000	15 pF

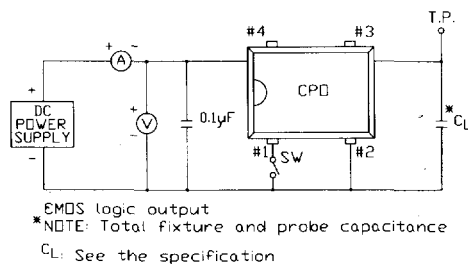
Tristate Enable Input: Pin 1 2.2 V min or open
Tristate Disable Input: Pin 1 0.8 V max or open

Note: Consult factory for Tape & Reel specification.

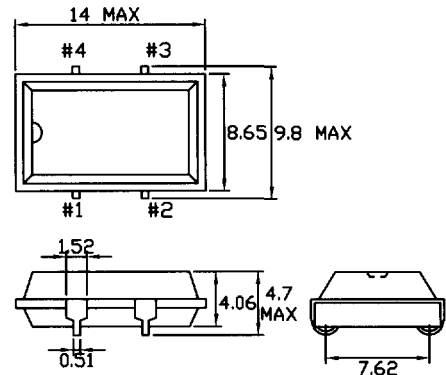
Pin Configurations

1	E/D
2	GND
3	Output
4	Voltage

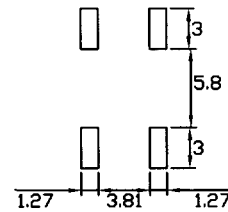
TEST CIRCUIT



CPO



RECOMMENDED SOLDER PAD LAYOUT



OUTPUT WAVE FORM

