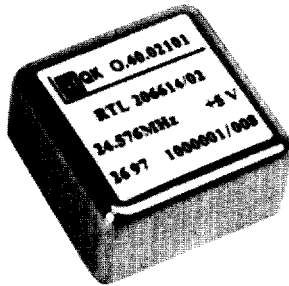


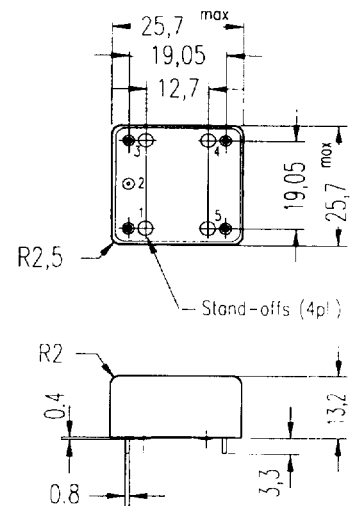
Miniature OCXOs

Series 4000



FEATURES

- Mini OCXO
- Standard package
- Excellent price/performance value
- Low aging rate to $< 1 \times 10^{-7}$ /year
- Temperature stability to $\leq \pm 3 \times 10^{-4}$ (-20 to +70°C)



Note: Dimensions in mm

SPECIFICATIONS

Model Variation by suffix **A** standard **B** long term stability **D** tuning range

Selection guide

All specifications are guaranteed data

	Tunable Hybrid Miniature Oven Controlled Crystal Oscillator Series 4000					
	A	B	C	D	E	Options
Long term stability per year	$<3 \times 10^{-7}$	$<1 \times 10^{-7}$		$<3 \times 10^{-7}$		
Short term stab. Allan var. for Tau = 1 sec.	$<5 \times 10^{-10}$	$<1 \times 10^{-10}$		$<1 \times 10^{-9}$		
Frequency stability versus:						
– operating temperature range	$<\pm 1 \times 10^{-7}$	$<\pm 3 \times 10^{-8}$		$<\pm 1 \times 10^{-7}$		$\pm 2 \times 10^{-8}$ to $\pm 15 \times 10^{-8}$
– load variation +/- 5%	$<\pm 1 \times 10^{-9}$	$<\pm 1 \times 10^{-9}$		$<\pm 1 \times 10^{-9}$		
– supply voltage variation +/- 5%	$<\pm 1 \times 10^{-9}$	$<\pm 1 \times 10^{-9}$		$<\pm 1 \times 10^{-9}$		
Operating temperature: °C	0 to 70	0 to 70		0 to 70		-40 to +85
Frequency adjustment:						
– electrical	$>\pm 1 \times 10^{-5}$	$>\pm 2 \times 10^{-5}$		$>\pm 10 \times 10^{-6}$		
– linearity error %	<10	<10		<5		
– mechanical	no	no		no		ext. Potentiometer
Supply voltage V	+5	+5		+5		+10, +12, +15
Current consumpt. operating 25°C mA	<100	<100		<100		
Current consumpt. warm up mA	<300	<300		<300		>300 mA for faster warm up
Output signal	HCMOS	HCMOS		HCMOS		
Spurious / Subharmonics attenuation dB	–	–		–		
Phase noise $\mathcal{E}(f)$ at 10 Hz/ 10 kHz dBc/Hz	-110/-135	-110/-135		-105/-135		
Pin out	40 to	A,B		A,B		
Preferred frequency MHz	16.384	10		16.384		
	20.480	13		20.480		
	24.576			24.576		4 to 30 MHz