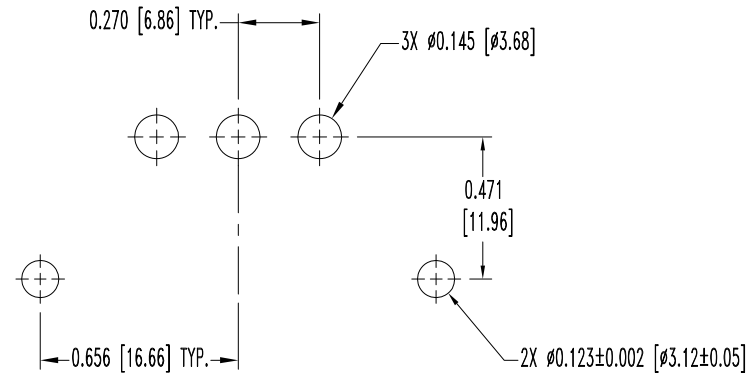
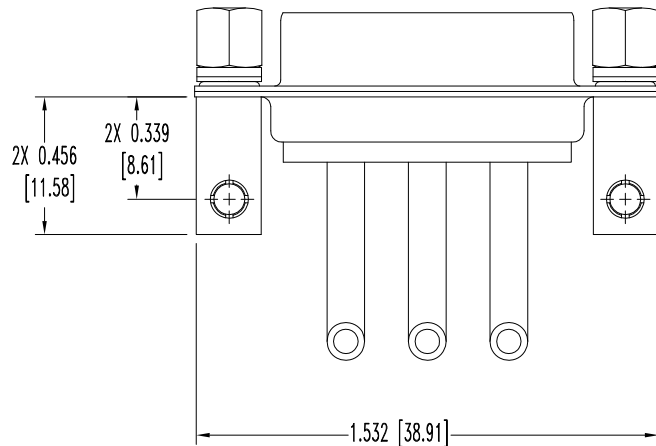
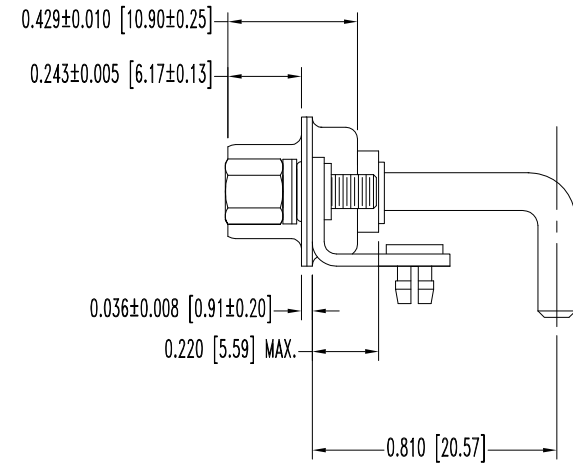
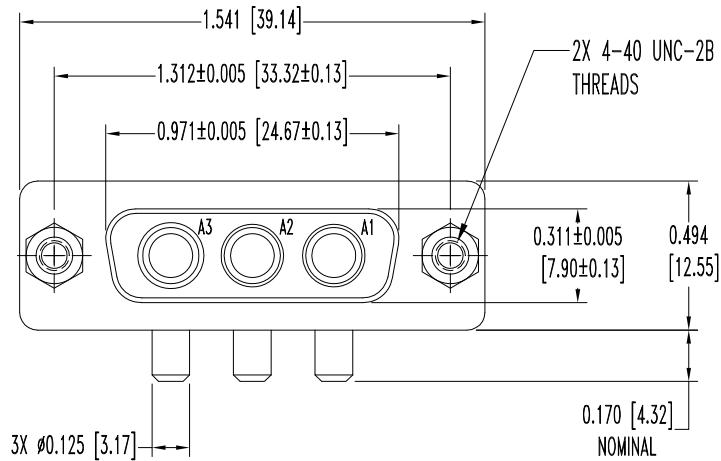


THIS DRAWING CONTAINS INFORMATION PROPRIETARY TO POSITRONIC AND ITS SUBSIDIARIES. POSITRONIC BELIEVES THE DATA ON THIS DRAWING TO BE RELIABLE. SINCE THE TECHNICAL INFORMATION IS GIVEN FREE OF CHARGE, THE USER EMPLOYS SUCH INFORMATION AT HIS OWN DISCRETION AND RISK. POSITRONIC ASSUMES NO RESPONSIBILITY FOR RESULTS OBTAINED OR DAMAGES INCURRED FROM USE OF SUCH INFORMATION IN WHOLE OR IN PART.


| DATE    | REV | REVISION RECORD | APP  | DR | CK   |
|---------|-----|-----------------|------|----|------|
| 10-7-04 | NC  | ECO 23095       | RW   | YK | COLE |
| 3-9-10  | A   | ECO 32219       | COLE | BE | COLE |
|         |     |                 |      |    |      |
|         |     |                 |      |    |      |



CONTACT HOLE PATTERN

NOTES:

- MATERIALS AND FINISHES:  
 INSULATOR: GLASS FILLED POLYESTER PER ASTM D5927, UL 94V-0, BLUE COLOR.  
 CONTACTS: COPPER ALLOY WITH GOLD FLASH OVER NICKEL.  
 SHELLS: STEEL, ZINC PLATE WITH DICHROMATE SEAL.  
 MOUNTING BRACKETS: BRASS, ZINC PLATE WITH DICHROMATE SEAL.  
 JACKSCREWS: STEEL, ZINC PLATE WITH DICHROMATE SEAL.
- DETAILED PRODUCT, ELECTRICAL, AND MECHANICAL INFORMATION IS AVAILABLE IN THE LATEST STANDARD DENSITY COMBO-D PRODUCT PUBLICATION. VISIT [CONNECTPOSITRONIC.COM/PRODUCTS/1/STANDARD DENSITY COMBO-D](http://CONNECTPOSITRONIC.COM/PRODUCTS/1/STANDARD DENSITY COMBO-D) OR [CONNECTPOSITRONIC.COM](http://CONNECTPOSITRONIC.COM).
- DIMENSIONS ARE IN INCHES [MILLIMETERS].

|  |                 |                          |                |
|--|-----------------|--------------------------|----------------|
|  <b>POSITRONIC INDUSTRIES INC.</b><br>www.connectpositronic.com |                 | FSCM 28198               |                |
|  DECIMAL TOL.<br>± 0.015 [0.38]                                 | CBD SERIES      | SCALE<br>N.T.S.          | DRAWN BY<br>YK |
| TITLE<br>CBD3W3F57R7NT20   |                 | APPROVED BY<br>RW        |                |
| ANGULAR TOL.<br>± 5°   | DATE<br>10-7-04 | DRAWING NUMBER<br>SK5710 | REV.<br>A      |