

### FEATURES

- TIGHT TOLERANCE AND STABILITY OVER TEMPERATURE
- WIDE FREQUENCY RANGE
- EXCELLENT FREQUENCY SOURCE FOR TELECOM APPLICATIONS

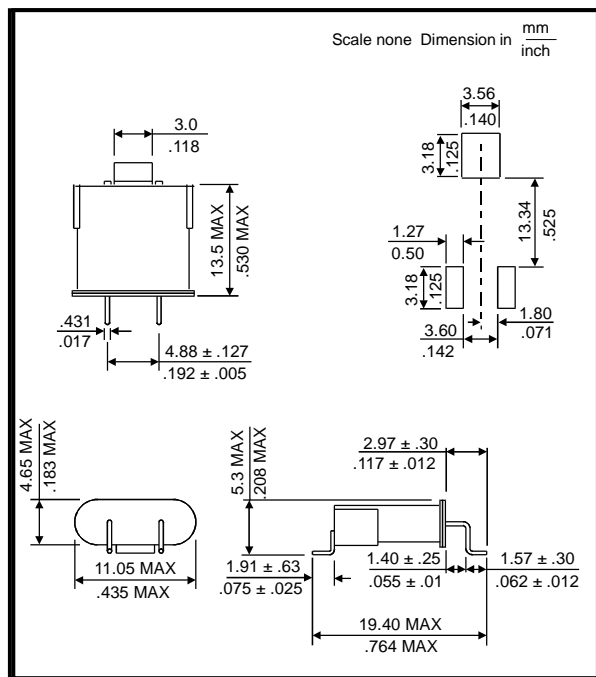
### SPECIFICATIONS

FREQUENCY RANGE	1.00 MHz TO 360.00 MHz	
HOLDER TYPES	A-SMD: HC-49/U-SMD	1.00 MHz TO 360.00 MHz
	C-SMD: UM-1 SMD	10.00 MHz TO 300.00 MHz
FREQUENCY TOLERANCE AT 25° C	±5 PPM TO ±25 PPM	
FREQUENCY STABILITY OVER TEMPERATURE RANGE	±3 PPM (-10°C TO +60°C) TO ±50 PPM (-55°C TO +125°C)	
OPERATING TEMPERATURE RANGE	-55°C TO +125°C MAXIMUM	
LOAD CAPACITANCE	10 pF TO 50 pF OR SERIES	
AGING PER YEAR	±3 PPM MAXIMUM	
MODE OF OSCILLATION	FUNDAMENTAL TO NINTH OVERTONE	
EQUIVALENT SERIES RESISTANCE (ESR)	SEE PAGE 3	
DRIVE LEVEL	0.1 mW TYPICAL	

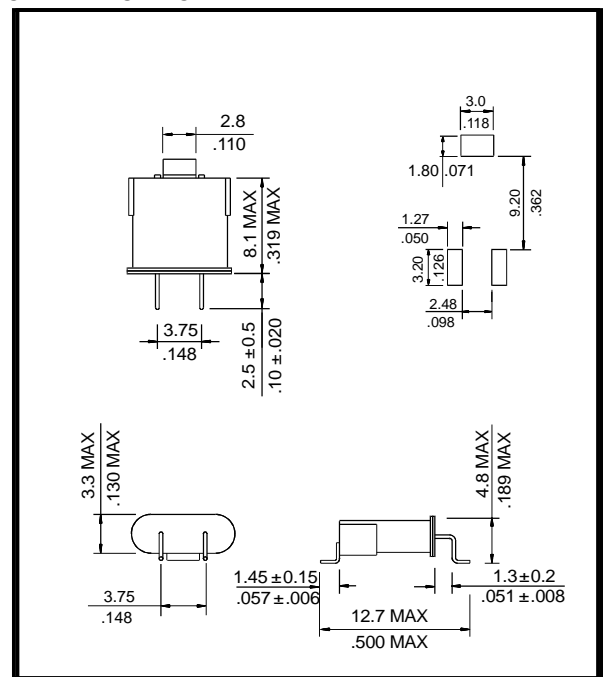


### OUTLINE DRAWINGS

A-SMD TYPE: HC-49/U-SMD



C-SMD TYPE: UM-1-SMD



### PART NUMBERING SYSTEM

HOLDER TYPE		FREQUENCY	LOAD CAPACITANCE	MODE		EXTENDED TEMPERATURE	SURFACE MOUNT
A	HC-49/U-SMD	IN MHZ	10 TO 32pF FOR PARALLEL S FOR SERIES	F	FUNDAMENTAL	EXT	SMD
C	UM-1-SMD			3OT	THIRD OVERTONE		
				5OT	FIFTH OVERTONE		
				7OT	SEVENTH OVERTONE		
				9OT	NINTH OVERTONE		

EXAMPLE: A-32.000-20-3OT-SMD  
C-100.00-S-5OT-SMD