

9 5 1 - 5 X 0 J - X X X

XCede BACKPLANE MODULE MALE STANDARD LOAD

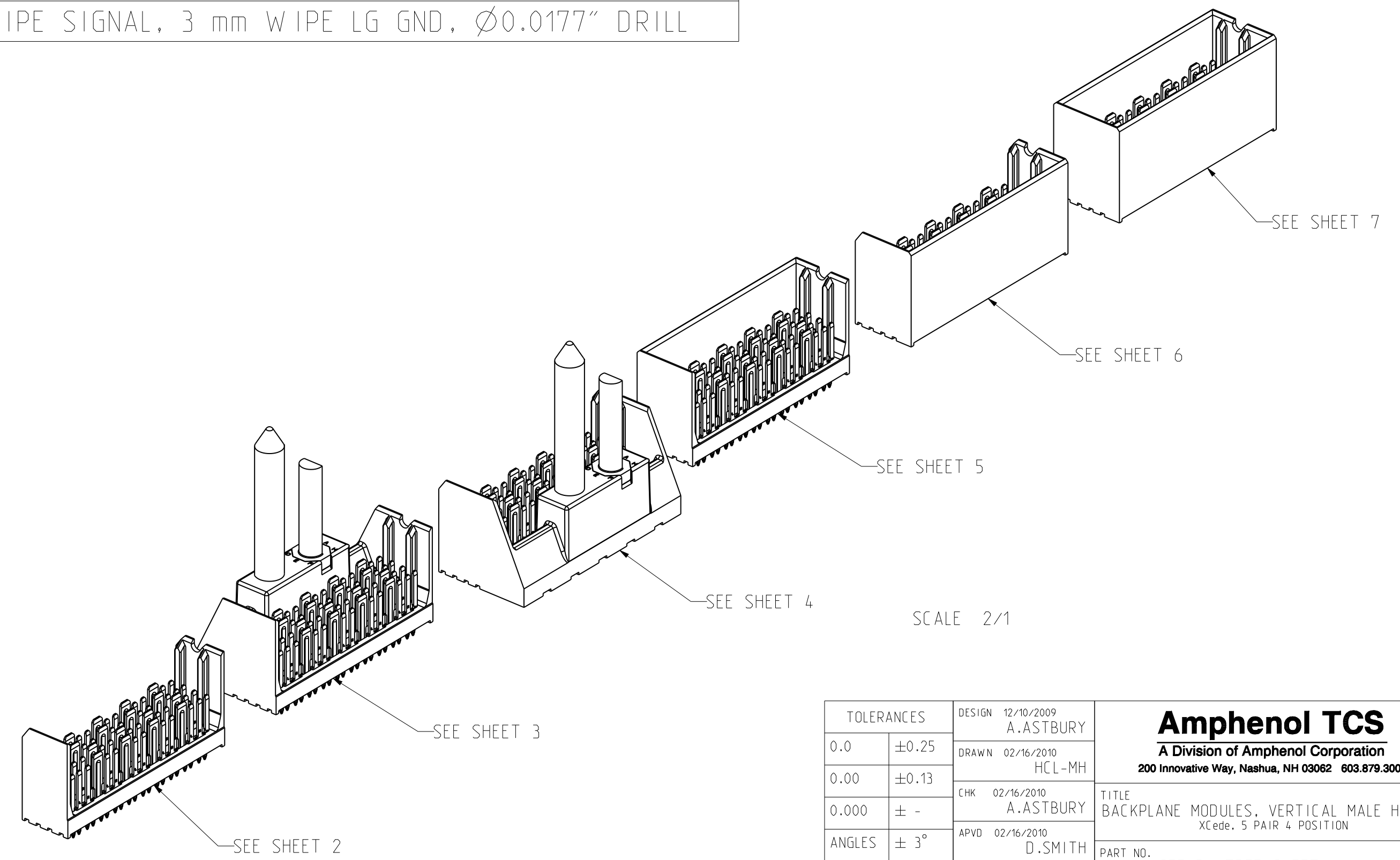
4 POSITION

LETTER	PLATING
B	30 MICROINCH GOLD
C	50 MICROINCH GOLD
D	30 MICROINCH GOLD, LEADFREE
E	50 MICROINCH GOLD, LEADFREE

NUMBER	PIN STYLE, HEIGHT
0	GUIDE PIN MACHINED, 31.6mm / NONE
1	GUIDE PIN ROLLED, 31.6mm

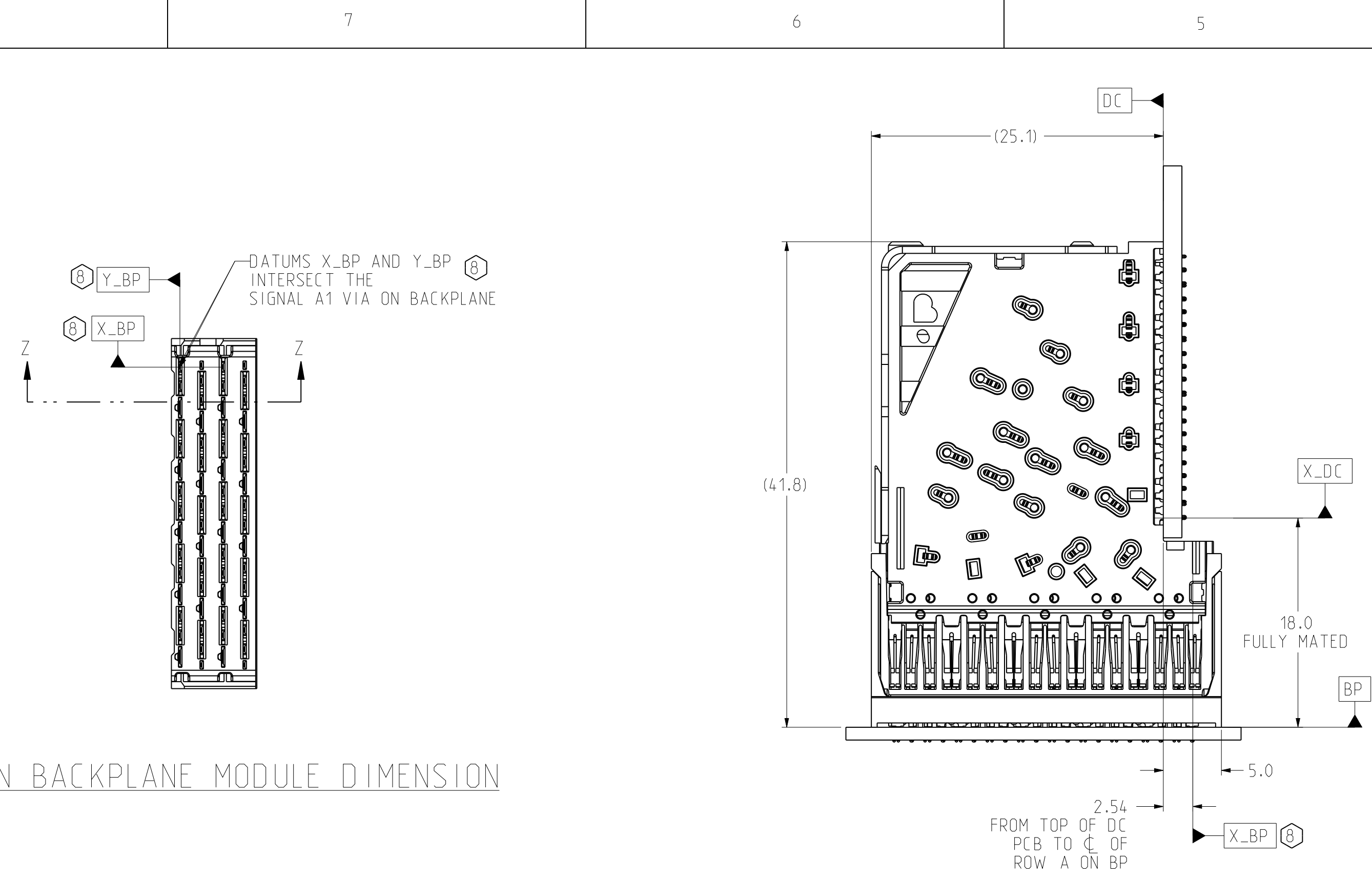
NUMBER	SIGNAL & LG. GROUND WIPE LENGTH, COMPLIANT PIN SIZE
1	2 mm WIPE SIGNAL, 4 mm WIPE LG GND, Ø0.0217" DRILL
2	3 mm WIPE SIGNAL, 4 mm WIPE LG GND, Ø0.0217" DRILL
3	2 mm WIPE SIGNAL, 4 mm WIPE LG GND, Ø0.0177" DRILL
4	3 mm WIPE SIGNAL, 4 mm WIPE LG GND, Ø0.0177" DRILL
5	2 mm WIPE SIGNAL, 3 mm WIPE LG GND, Ø0.0217" DRILL
6	3 mm WIPE SIGNAL, 3 mm WIPE LG GND, Ø0.0217" DRILL
7	2 mm WIPE SIGNAL, 3 mm WIPE LG GND, Ø0.0177" DRILL
8	3 mm WIPE SIGNAL, 3 mm WIPE LG GND, Ø0.0177" DRILL

	LETTER									
LEFT POLARIZING GUIDANCE (SEE SHEET 3)	N	J (NO KEY)	A	B	C	D	E	F	G	H
	NO KEY NO GUIDE PIN									
RIGHT POLARIZING GUIDANCE (SEE SHEET 4)	Z	Y (NO KEY)	P	Q	R	S	T	U	V	W
	NO KEY NO GUIDE PIN									
OPEN (SEE SHEET 2)	O (ZERO)									
LEFT WALL (SEE SHEET 5)	L									
RIGHT WALL (SEE SHEET 6)	M									
TWO WALL (SEE SHEET 7)	1									

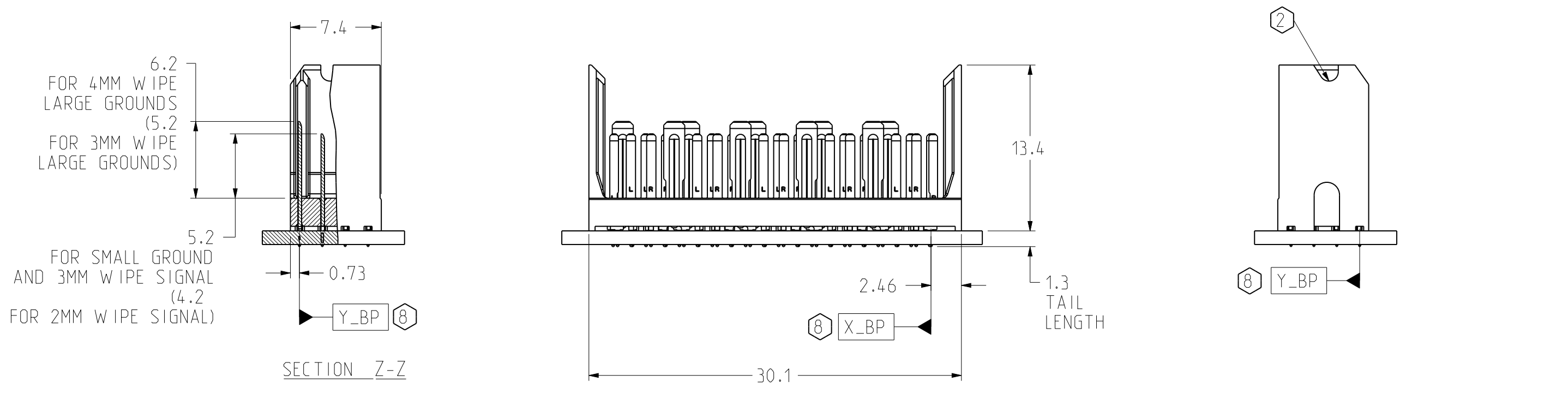


- NOTES:
- REFER TO TB-2150 FOR XCede PRODUCT SPECIFICATIONS.
  - NOTCH DESIGNATES "ROW A" SIDE OF SHROUD. NOTCH FEATURE ON OPPOSITE SIDE FROM PART MARKING.
  - PART MARKING AS FOLLOWS:  
 LINE 1: "ATCS" AND DATECODE (ATCS YYWW).  
 LINE 2: MODULE PART NUMBER (951-####-###).  
 LINE 3: WORK ORDER NUMBER (#####).  
 WHERE "\*" DENOTES MANUFACTURING LOCATION.
  - PLATING THICKNESS OF SIGNAL CONTACT AND GROUND CONTACT IS DETERMINED BY PLATING CODE. SEE PART NUMBER TREE SHEET 1.
  - REPAIR PROCEDURE FOR MODULE, SEE TB-2210.
  - SEE TB-2149 FOR ROUTING GUIDELINES & PTH REQ'S.
  - SEE DOC C190-1001-000 FOR TOOLING KEEPOUT ZONES.
  - BACKPLANE DATUM REFERENCE.
  - OPTIONAL HOLE/MOUNTING SCREW LOCATION FOR GROUNDED PIN OR ADDITIONAL GUIDE PIN SUPPORT. REFER TO TB-2211 FOR PROPER GUIDE PIN SELECTION AND DRAWING C942-4010-000 FOR OPTIONAL HOLE DETAIL. ONLY APPLIES FOR MACHINED GUIDE PIN APPLICATIONS.
  - DIMENSIONS APPLY FOR BOTH COMPLIANT PIN SIZES.

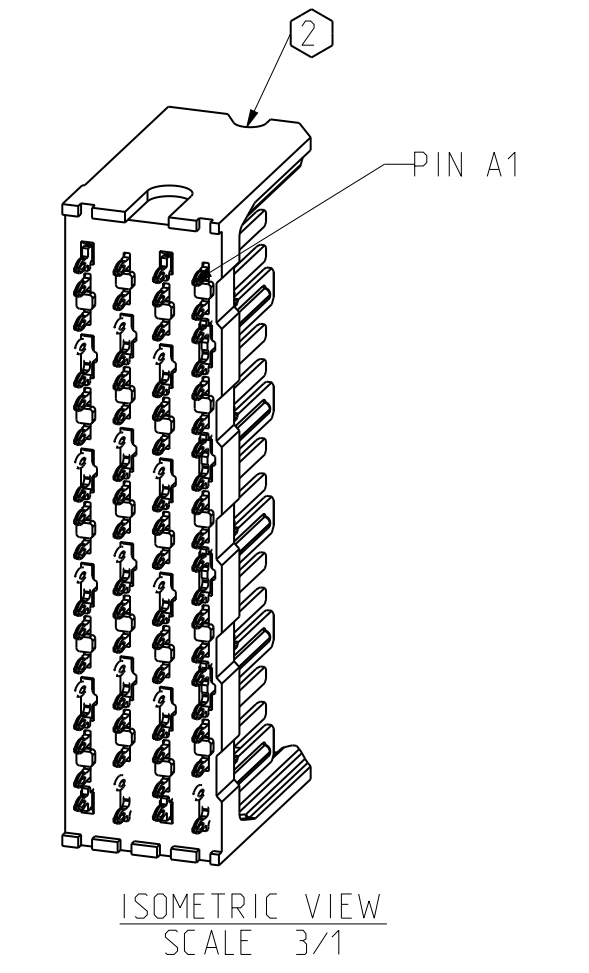
 INTERPRET PER ASME Y14.5M CODE IDENT 31413	CUSTOMER USE DRAWING	TOLERANCES 0.0 ±0.25 0.00 ±0.13 0.000 ± - ANGLES ± 3°		DESIGN 12/10/2009 A.ASTBURY DRAWN 02/16/2010 HCL-MH CHK 02/16/2010 A.ASTBURY APVD 02/16/2010 D.SMITH		<b>Amphenol TCS</b> A Division of Amphenol Corporation 200 Innovative Way, Nashua, NH 03062 603.879.3000	
		PART NO. SEE PN TREE SHEET 1 REV N/A		TITLE BACKPLANE MODULES, VERTICAL MALE HEADER XCede, 5 PAIR & POSITION		DRAWING NO. C951-500J-500 Rev A Pro/E Type: C951-5-BPS-4PDS Pro/E Drawing: C951-500J-500	



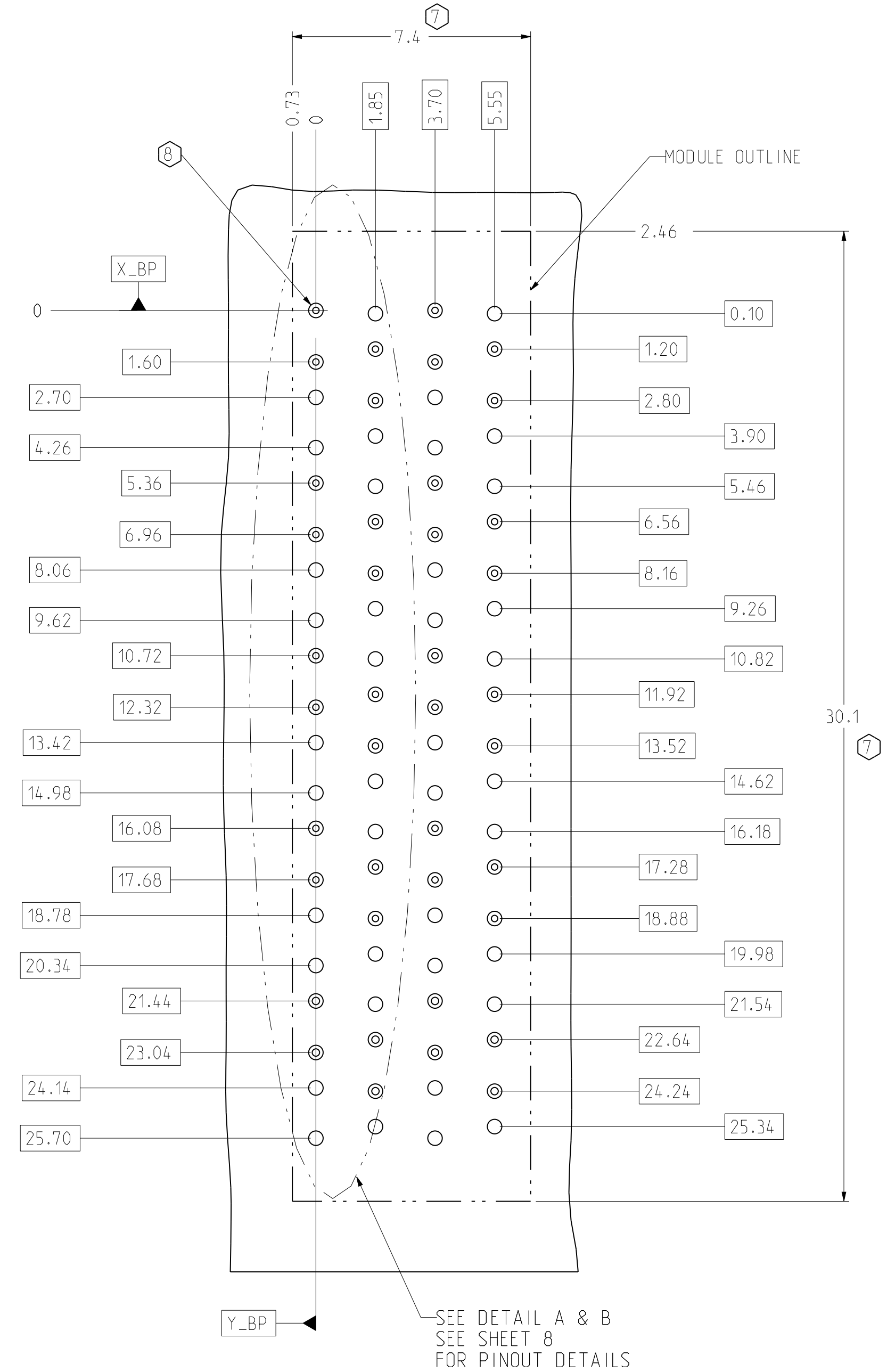
OPEN BACKPLANE MODULE DIMENSION



SECTION Z-Z



ISOMETRIC VIEW SCALE 3/1



BP HOLE PATTERN COMPONENT SIDE SCALE 8/1

OPEN BACKPLANE FOOTPRINT

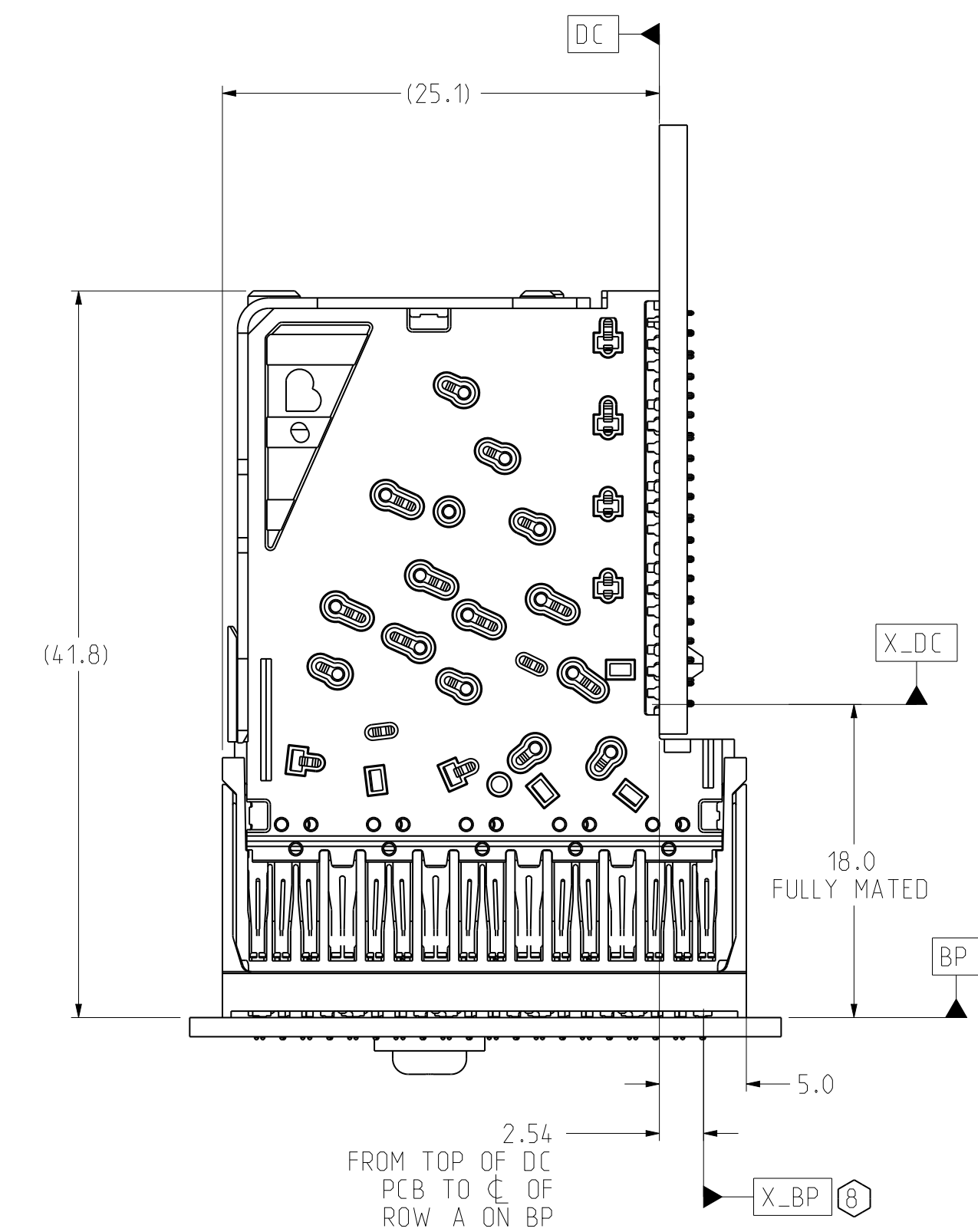
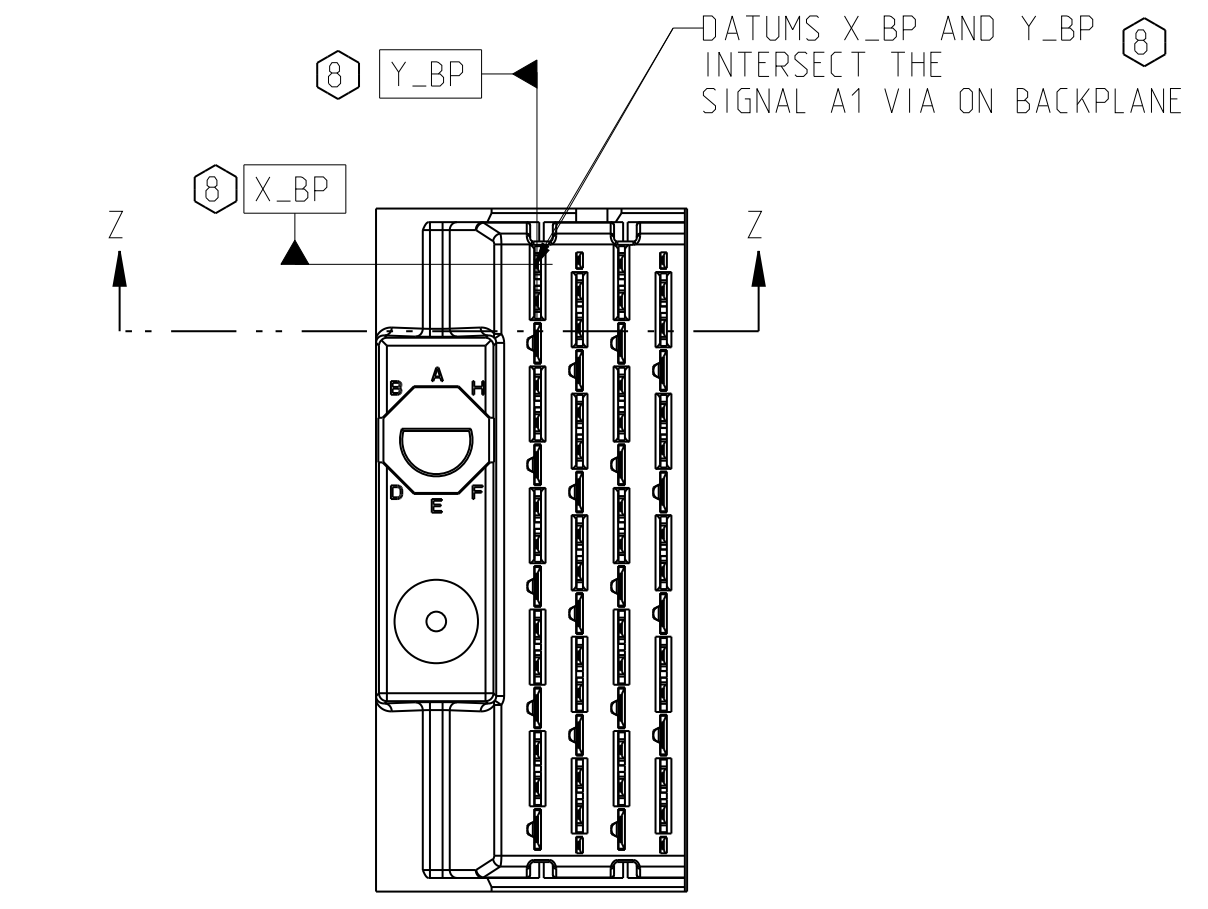
TOLERANCES	DESIGN 12/10/2009 A.ASTBURY	<b>Amphenol TCS</b> A Division of Amphenol Corporation 200 Innovative Way, Nashua, NH 03062 603.879.3000	TITLE	BACKPLANE MODULES, VERTICAL MALE HEADER	REV	N/A
0.0 ±0.25	DRAWN 02/16/2010 HCL-MH		PART NO.	SEE PN TREE SHEET 1	REV	A
0.00 ±0.13	CHK 02/16/2010 A.ASTBURY		DRAWING NO.	C951-500J-500	PROJ. TYPE	C951-5-BPS-4POS
0.000 ± -	APVD 02/16/2010 D.SMITH		PROJ. DRAWING	C951-500J-500	SCALE	1/1
ANGLES ± 3°	UNLESS OTHERWISE SPECIFIED DIMENSIONS ARE IN MM. DECIMAL MARKER IS A PERIOD.		CUSTOMER USE DRAWING	SIZE	D	SHEET 2 OF 8

INTERPRET PER ASME Y14.5M  
CODE IDENT 31413

DRW NO. C951-500J-500

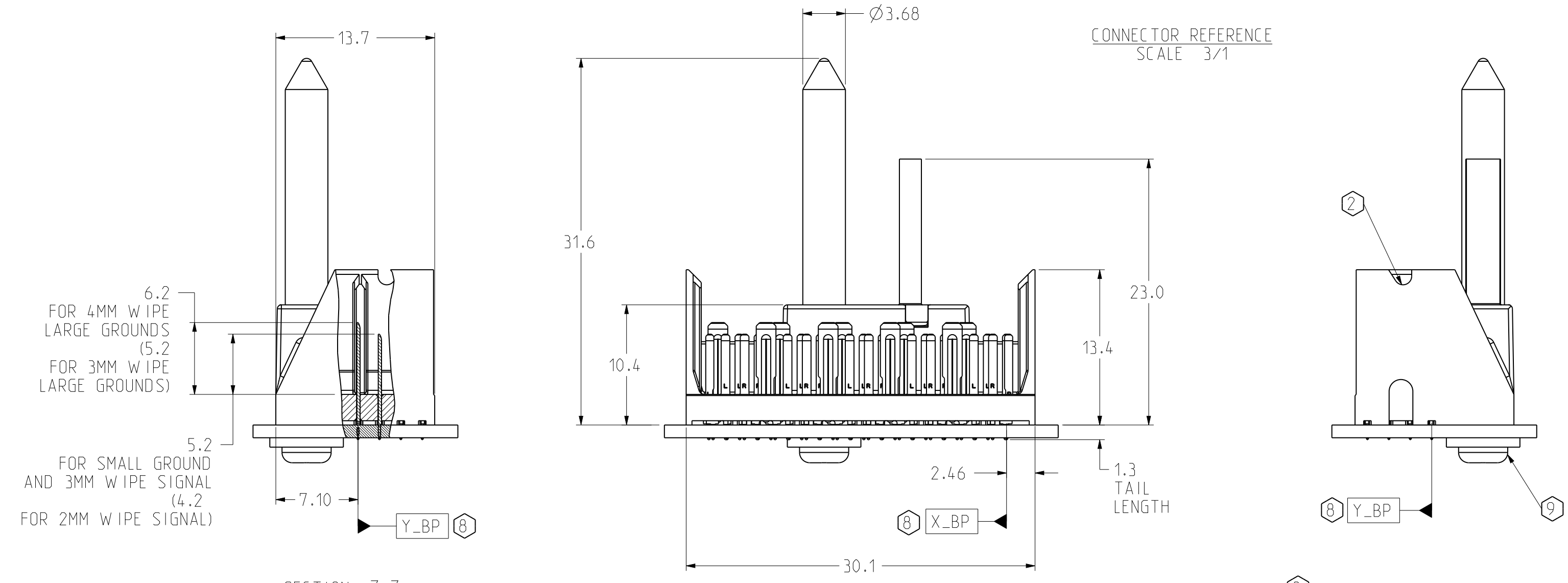
SH 2 REV A

ZONE	REV	SCR NUMBER	DESCRIPTION	BY	DATE	APPROVED
			SEE SHEET 1			

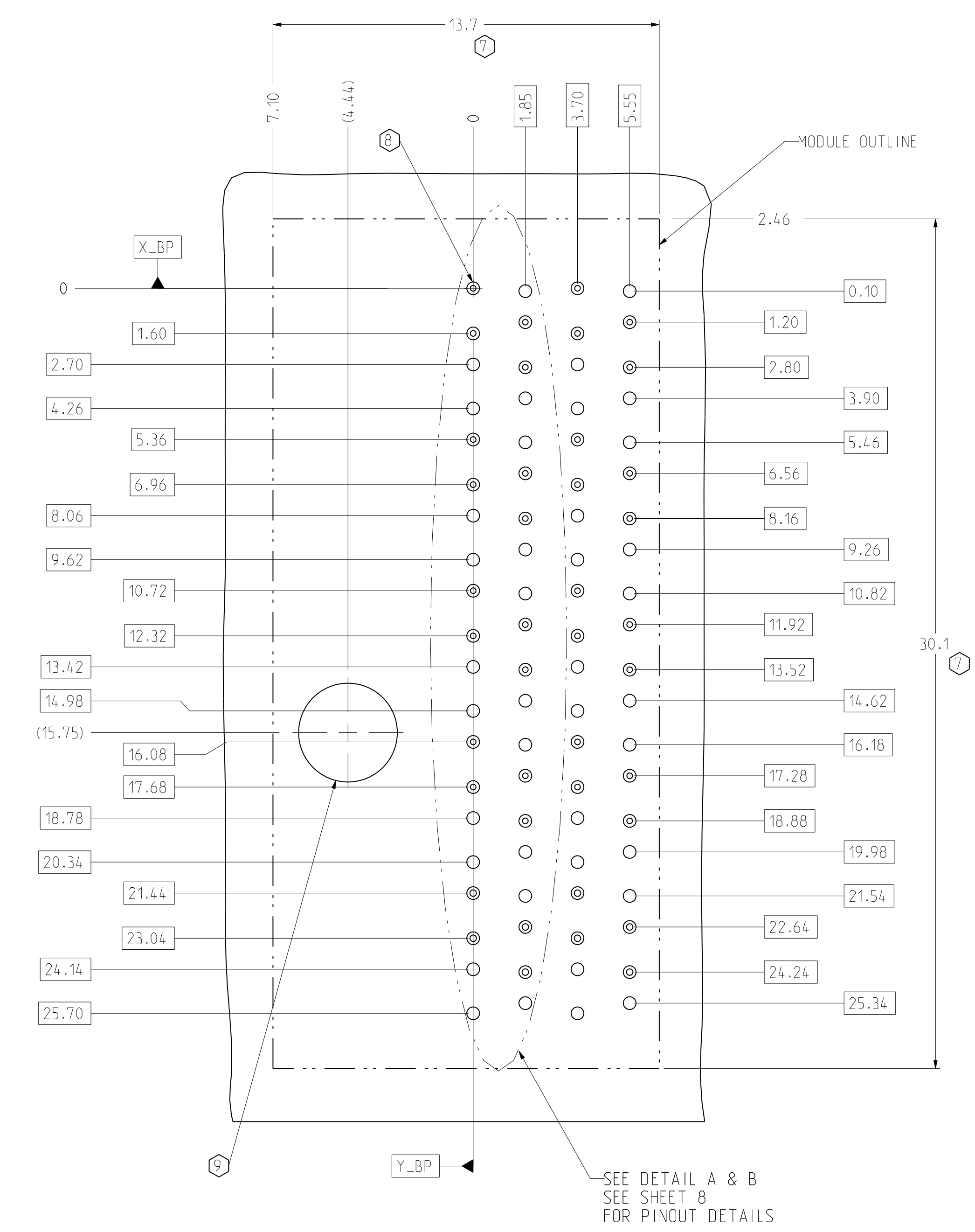
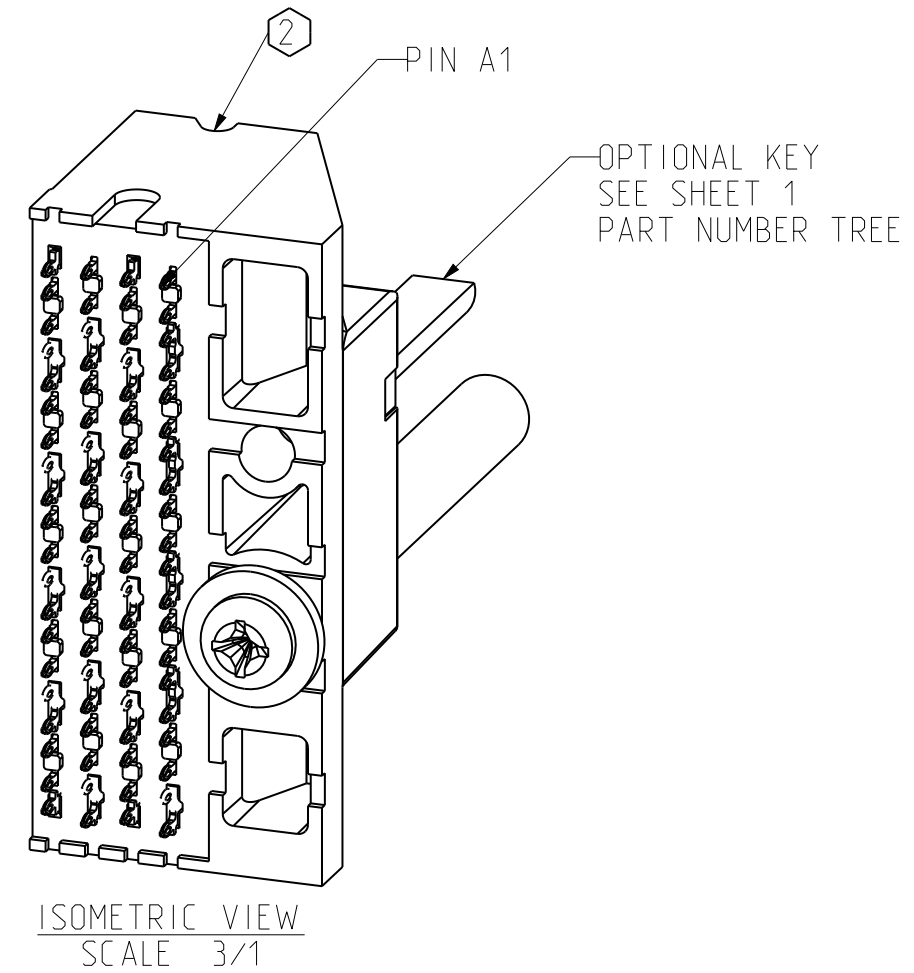


LEFT POLARIZING/GUIDE BACKPLANE MODULE DIMENSION

CONNECTOR REFERENCE SCALE 3/1



SECTION Z-Z



BP HOLE PATTERN COMPONENT SIDE SCALE 8/1

LEFT POLARIZING/GUIDE BACKPLANE FOOTPRINT

TOLERANCES	DESIGN	12/10/2009	A.ASTBURY	<b>Amphenol TCS</b> A Division of Amphenol Corporation 200 Innovative Way, Nashua, NH 03062 603.879.3000		
0.0	±0.25	DRAWN	02/16/2010	TITLE BACKPLANE MODULES, VERTICAL MALE HEADER XCode: 5 PAIR & POSITION		
0.00	±0.13	CHK	02/16/2010	PART NO. SEE PN TREE SHEET 1		
0.000	± -	APVD	02/16/2010	DRAWING NO. C951-500J-500		
ANGLES	± 3°	D.SMITH		REV N/A		
UNLESS OTHERWISE SPECIFIED DIMENSIONS ARE IN MM. DECIMAL MARKER IS A PERIOD.				REV A		
CUSTOMER USE DRAWING				Pro/E type: C951-5--BPS-4POS Pro/E DRAWING: C951-500J-500		
SIZE	D	SCALE	1/1	SHEET 3 OF 8		

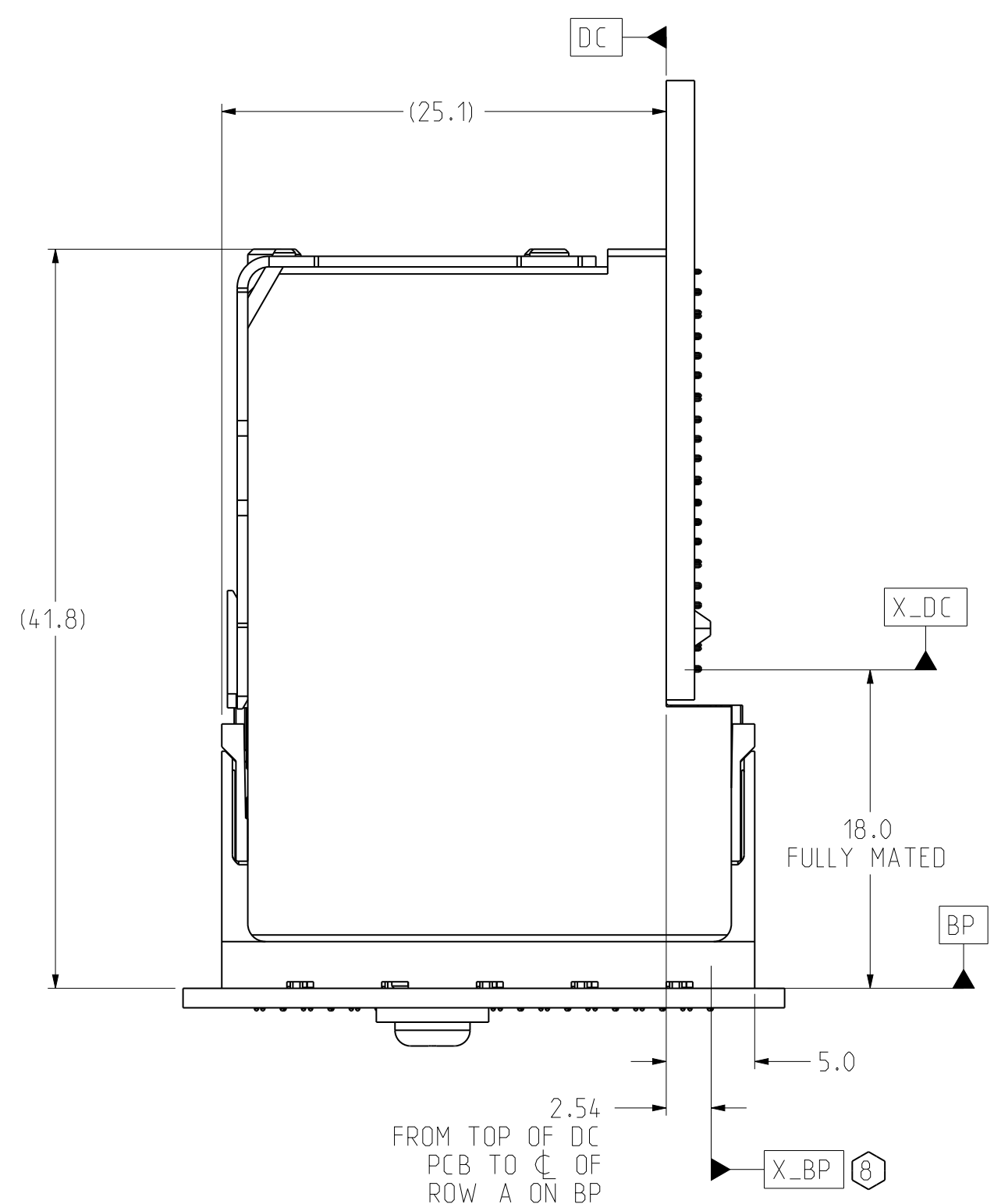
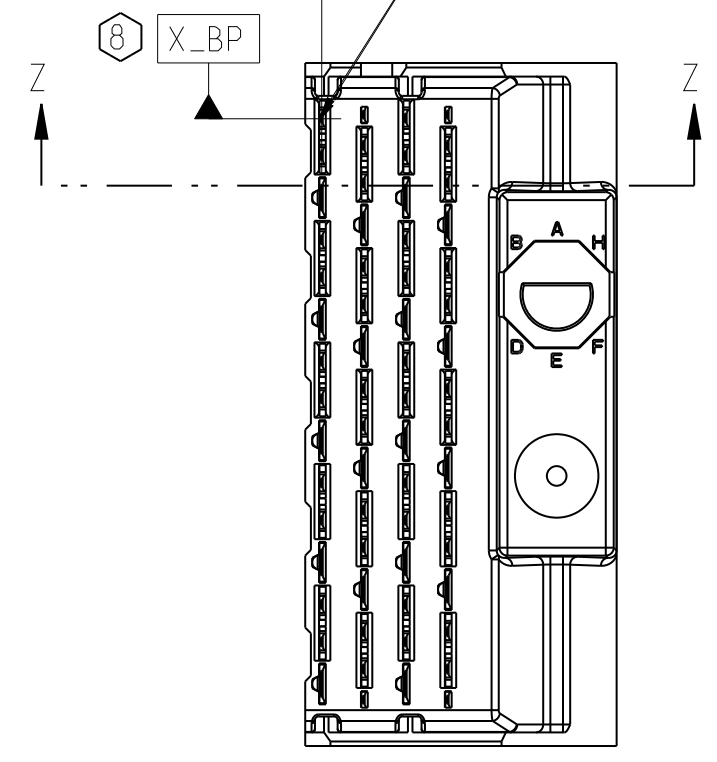
INTERPRET PER ASME Y14.5M  
CODE IDENT 31413

005-1500J-500

SH 3 REV A

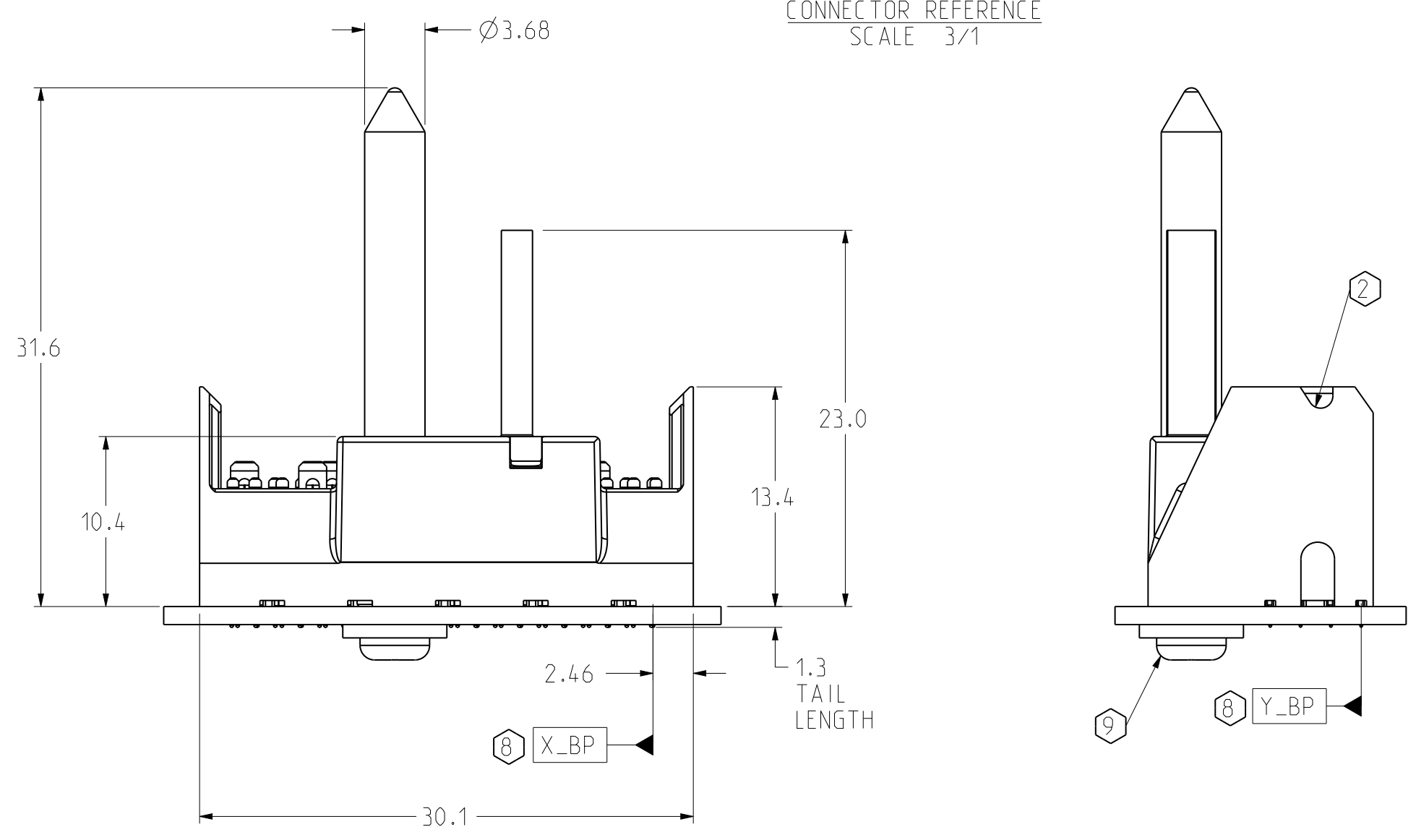
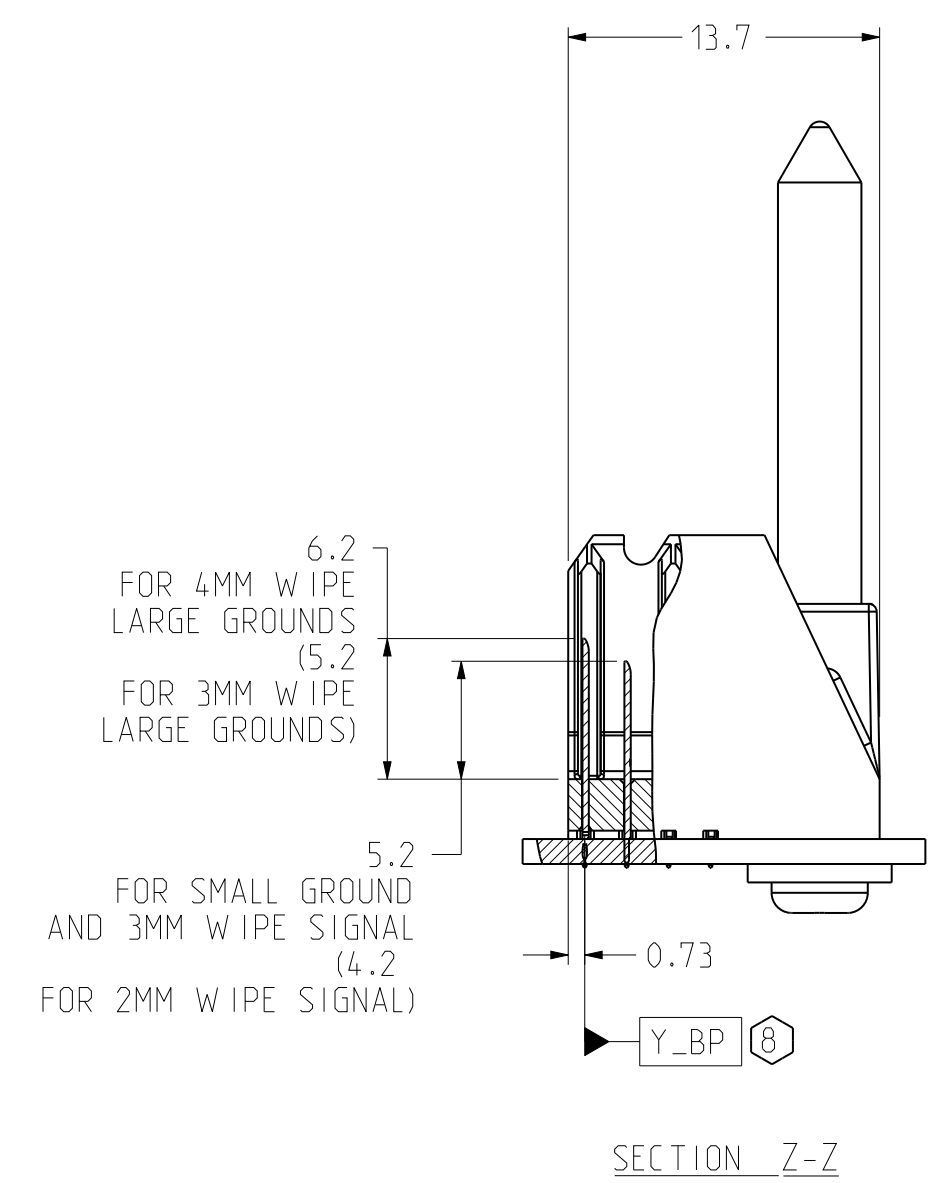
DRW NO.	C951-500J-500	SH	4	REV	A	
ZONE	REV	SCR NUMBER	DESCRIPTION	BY	DATE	APPROVED
			SEE SHEET 1			

DATUMS X\_BP AND Y\_BP INTERSECT THE SIGNAL A1 VIA ON BACKPLANE

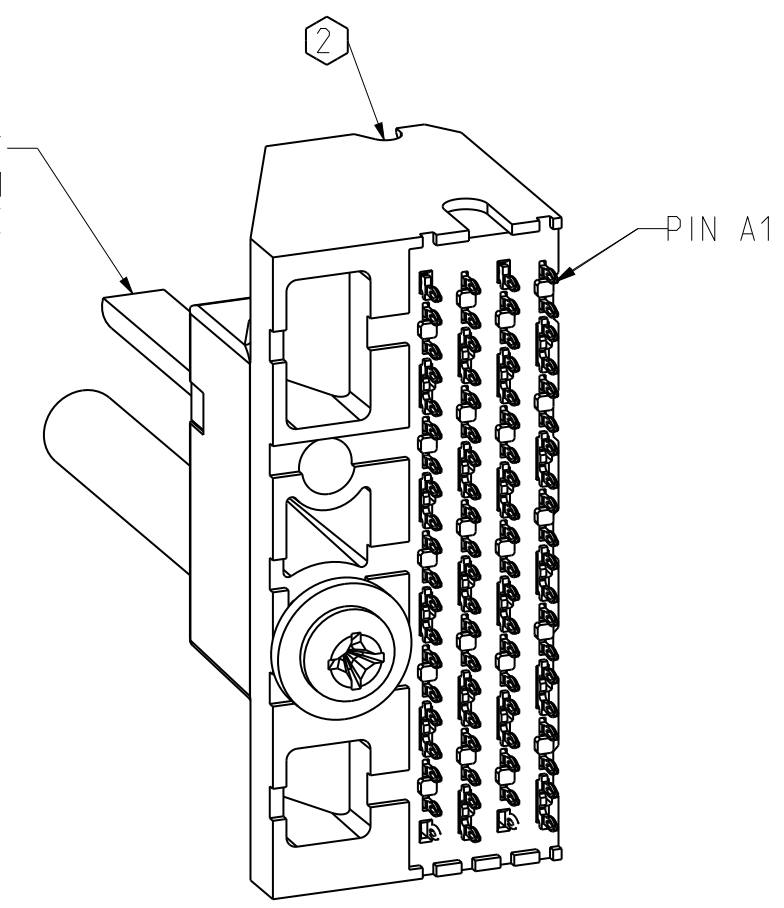


RIGHT POLARIZING/GUIDE BACKPLANE MODULE DIMENSION

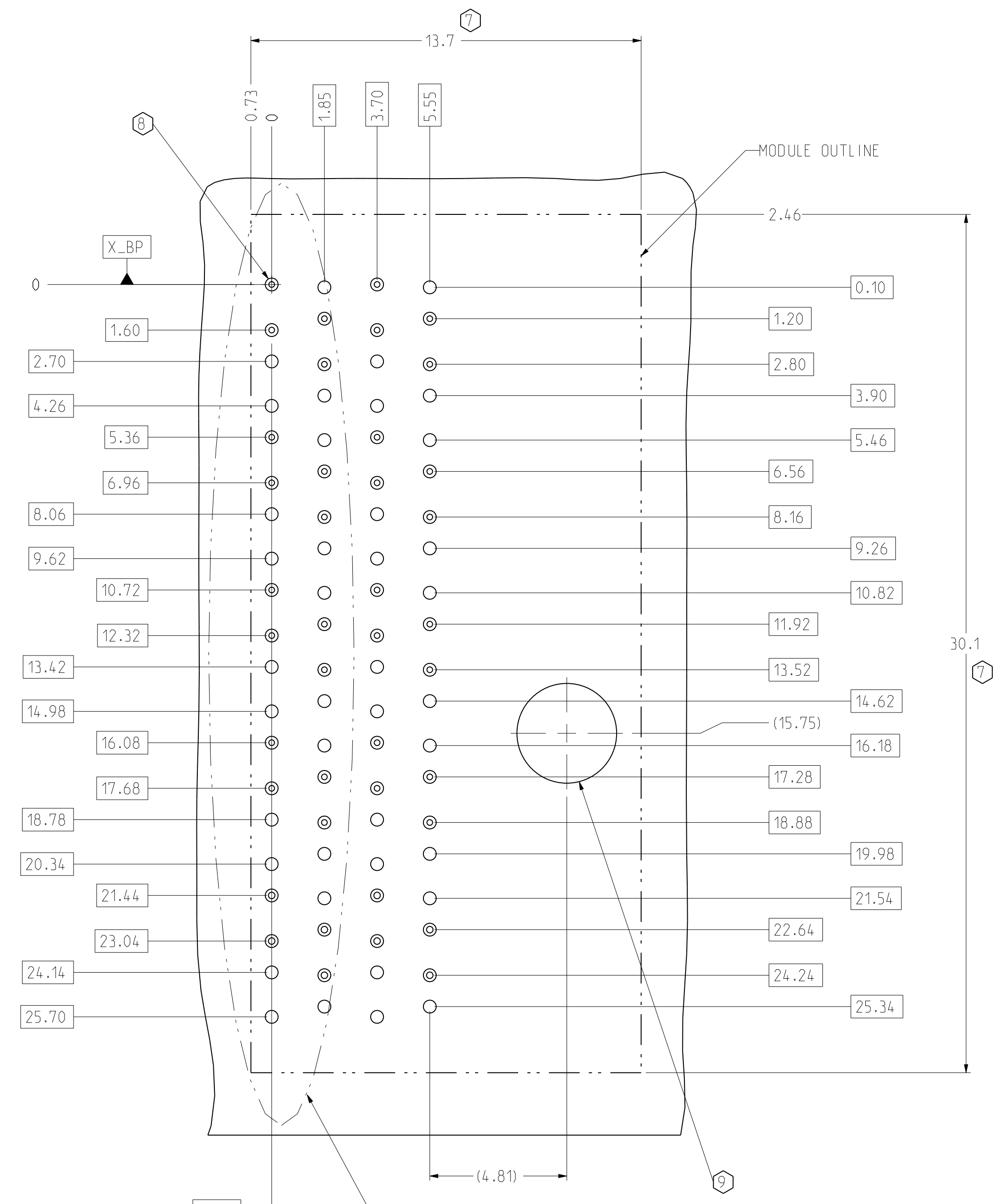
CONNECTOR REFERENCE SCALE 3/1



OPTIONAL KEY SEE SHEET 1 PART NUMBER TREE



ISOMETRIC VIEW SCALE 3/1



BP HOLE PATTERN COMPONENT SIDE SCALE 8/1

RIGHT POLARIZING/GUIDE BACKPLANE FOOTPRINT

TOLERANCES	DESIGN 12/10/2009 A.ASTBURY
0.0 ±0.25	DRAWN 02/16/2010 HCL-MH
0.00 ±0.13	CHK 02/16/2010 A.ASTBURY
0.000 ± -	APVD 02/16/2010 D.SMITH
ANGLES ± 3°	

**Amphenol TCS**  
A Division of Amphenol Corporation  
200 Innovative Way, Nashua, NH 03062 603.879.3000

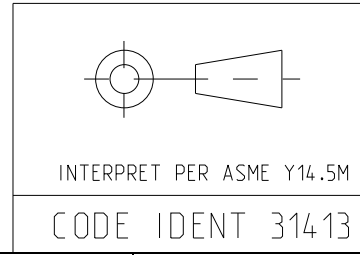
TITLE BACKPLANE MODULES, VERTICAL MALE HEADER XCode: 5 PAIR & POSITION

PART NO. SEE PN TREE SHEET 1 REV N/A

DRAWING NO. C951-500J-500 REV A

Pro/E type: C951-5--BPS-4POS Pro/E DRAWING: C951-500J-500 1.0 A.O.

SIZE D SCALE 1/1 SHEET 4 OF 8



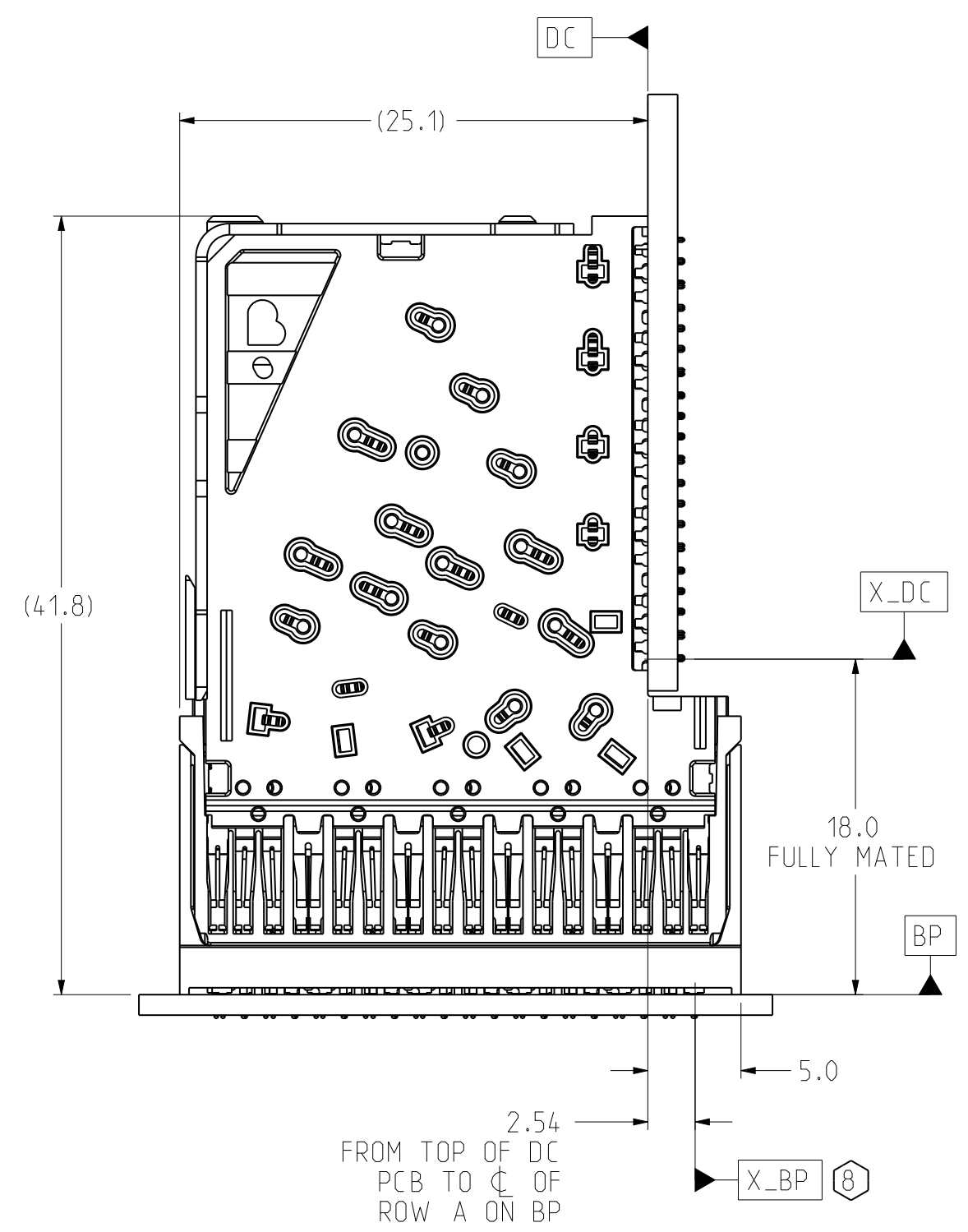
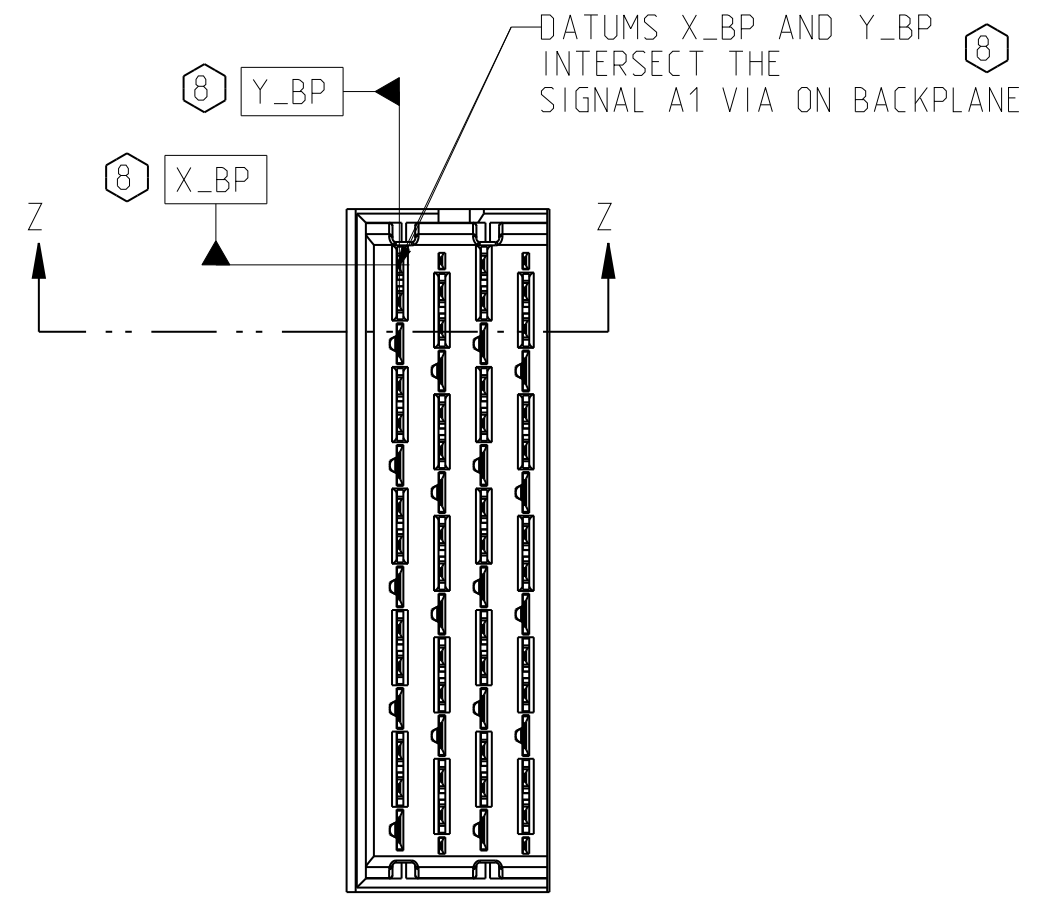
CUSTOMER USE DRAWING

005-1561-500

REV A

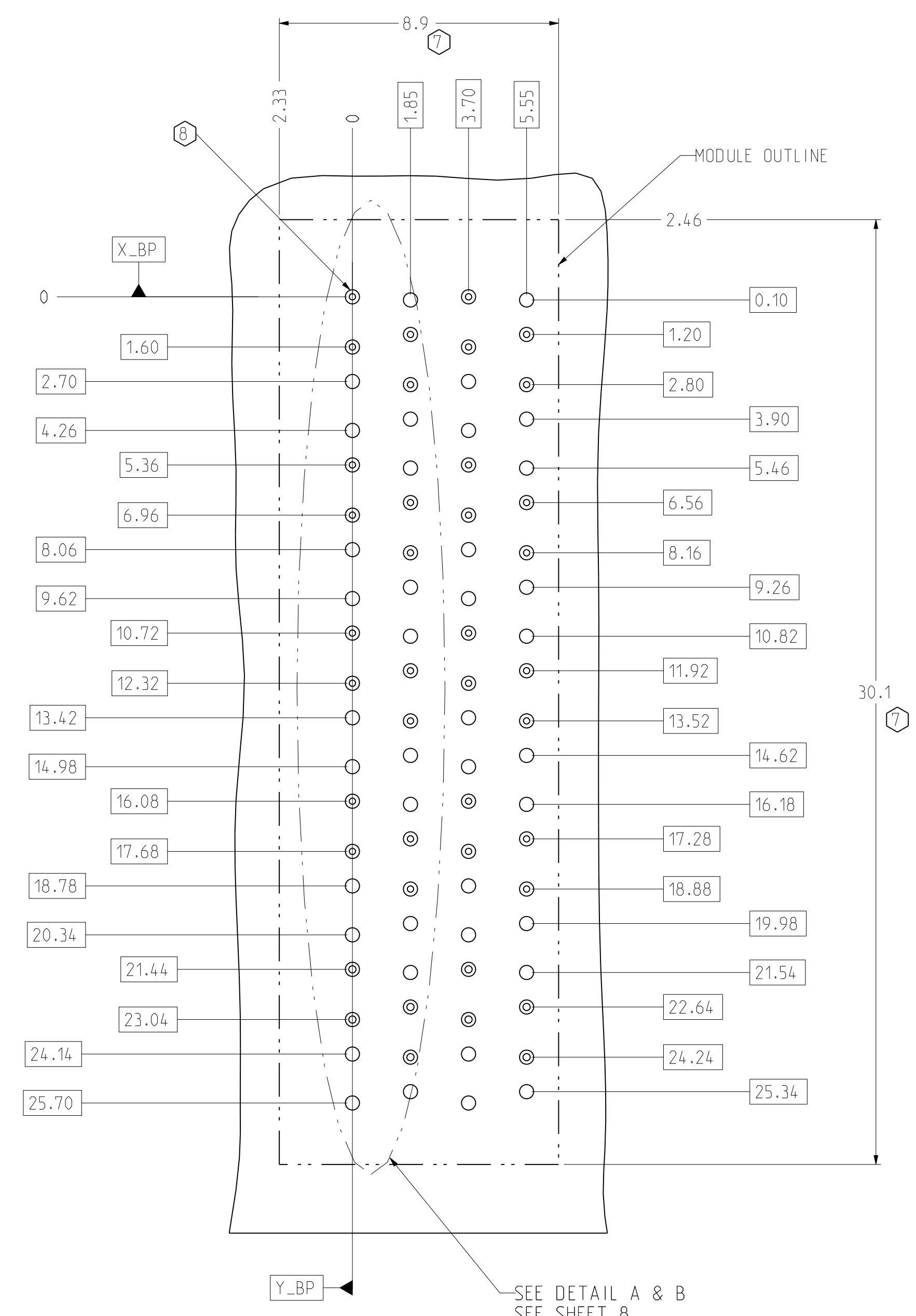
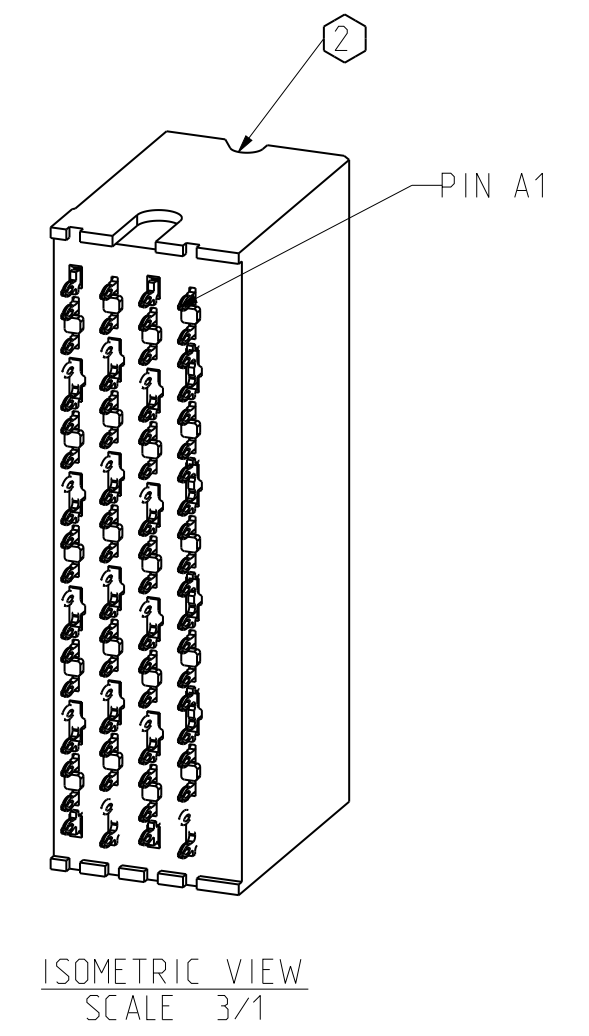
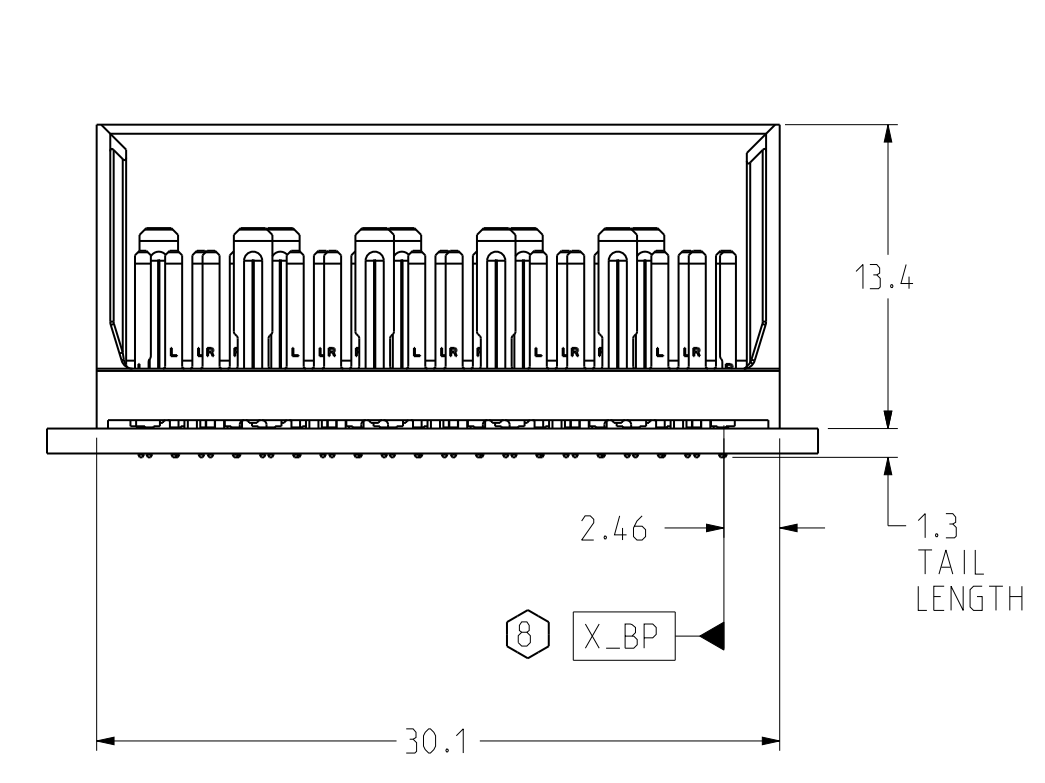
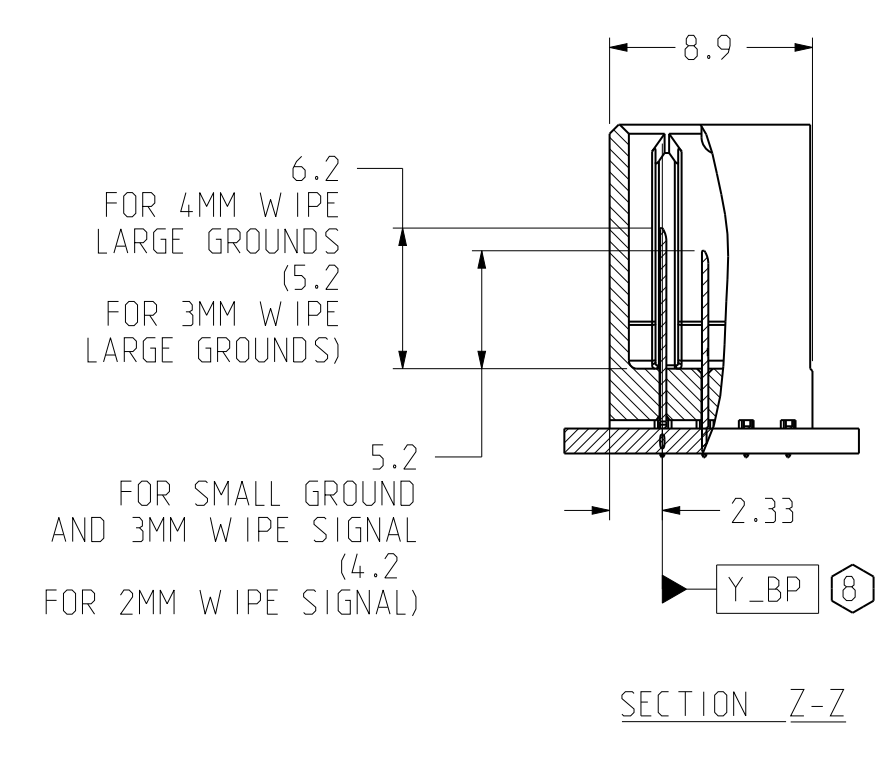
SHEET 4 OF 8

DRW NO.	C951-500J-500	SH	5	REV	A	
ZONE	REV	SCR NUMBER	DESCRIPTION	BY	DATE	APPROVED
			SEE SHEET 1			



LEFT WALL BACKPLANE MODULE DIMENSION

CONNECTOR REFERENCE SCALE 3/1



BP HOLE PATTERN COMPONENT SIDE SCALE 8/1

LEFT WALL BACKPLANE FOOTPRINT

TOLERANCES	DESIGN 12/10/2009 A.ASTBURY
0.0 ±0.25	DRAWN 02/16/2010 HCL-MH
0.00 ±0.13	CHK 02/16/2010 A.ASTBURY
0.000 ± -	APVD 02/16/2010 D.SMITH
ANGLES ± 3°	

**Amphenol TCS**  
A Division of Amphenol Corporation  
200 Innovative Way, Nashua, NH 03062 603.879.3000

TITLE BACKPLANE MODULES, VERTICAL MALE HEADER XCode: 5 PAIR & POSITION

PART NO. SEE PN TREE SHEET 1 REV N/A

DRAWING NO. C951-500J-500 REV A

Pro/E type: C951-5-BPS-4POS Pro/E DRAWING: C951-500J-500 1.0 A.0

UNLESS OTHERWISE SPECIFIED DIMENSIONS ARE IN MM. DECIMAL MARKER IS A PERIOD

INTERPRET PER ASME Y14.5M  
CODE IDENT 31413

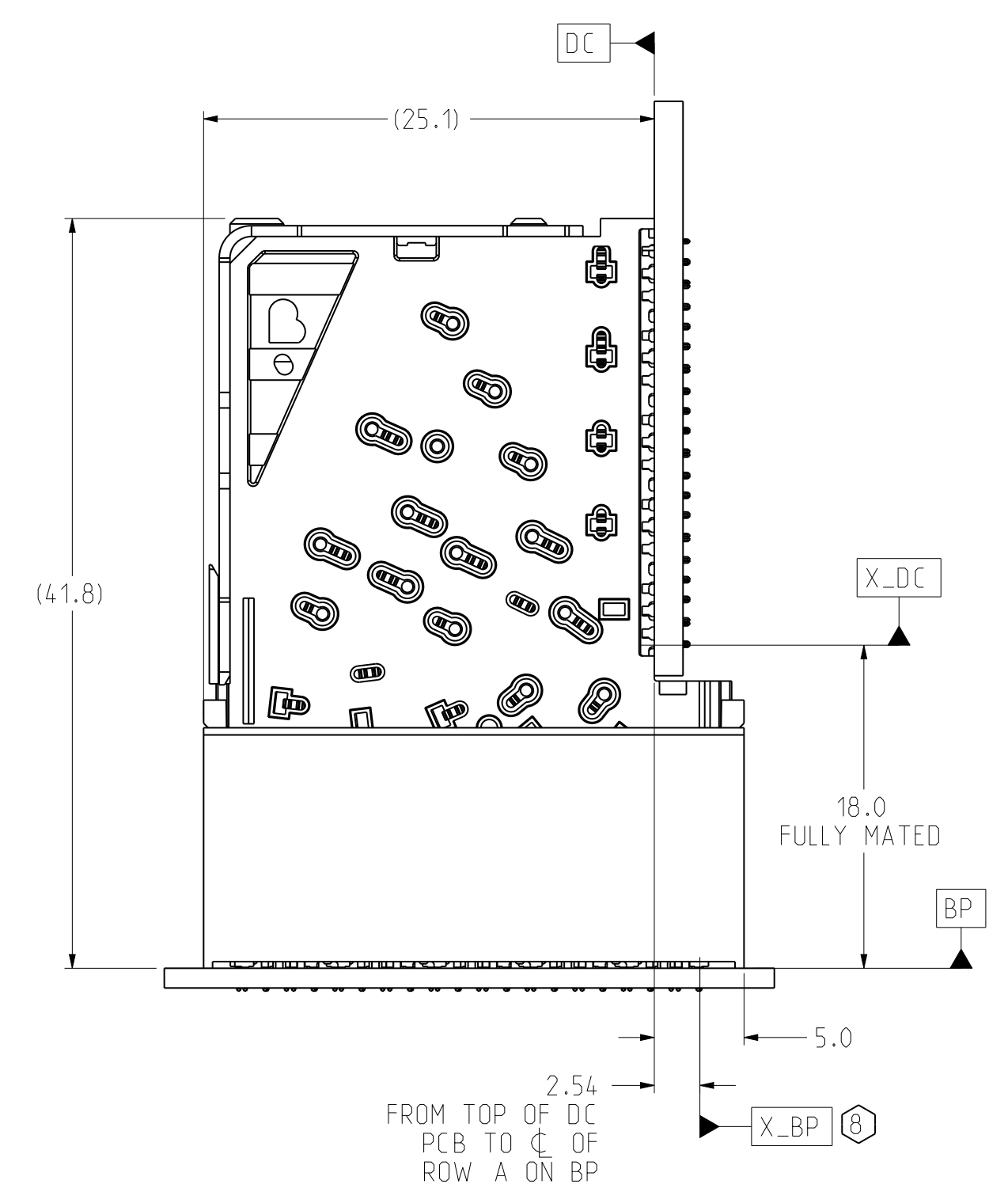
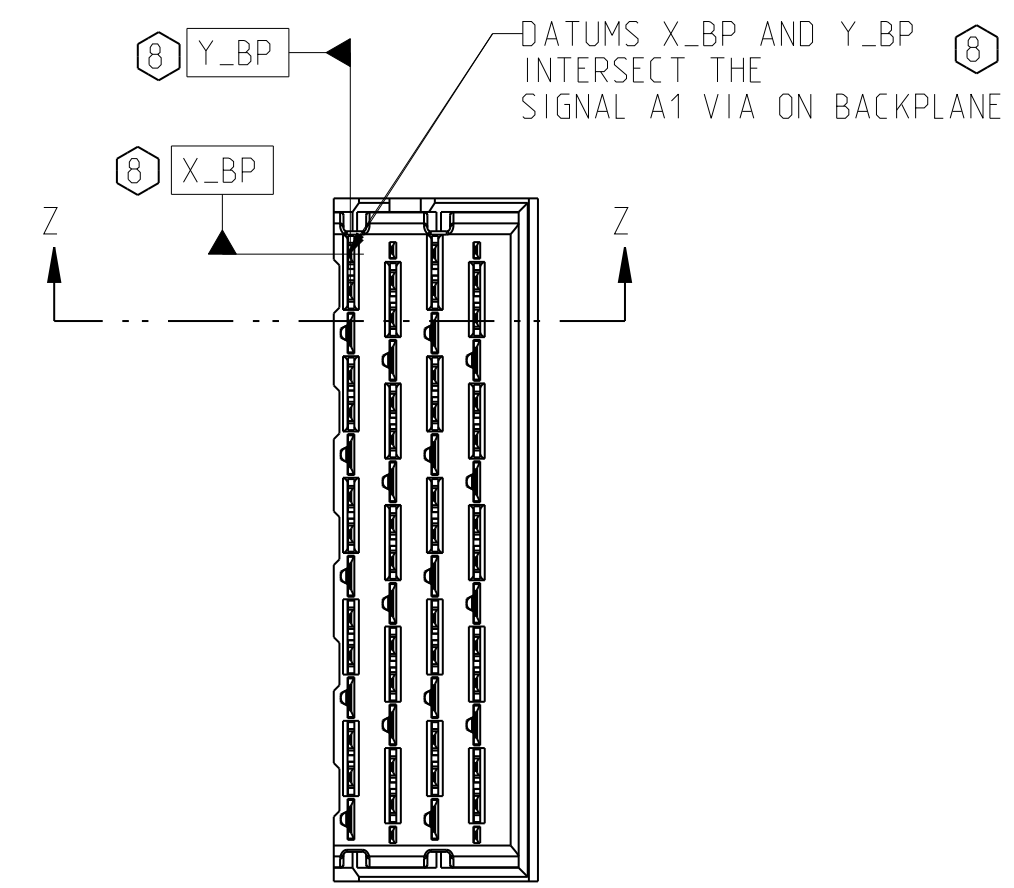
CUSTOMER USE DRAWING

SIZE D SCALE 1/1 SHEET 5 OF 8

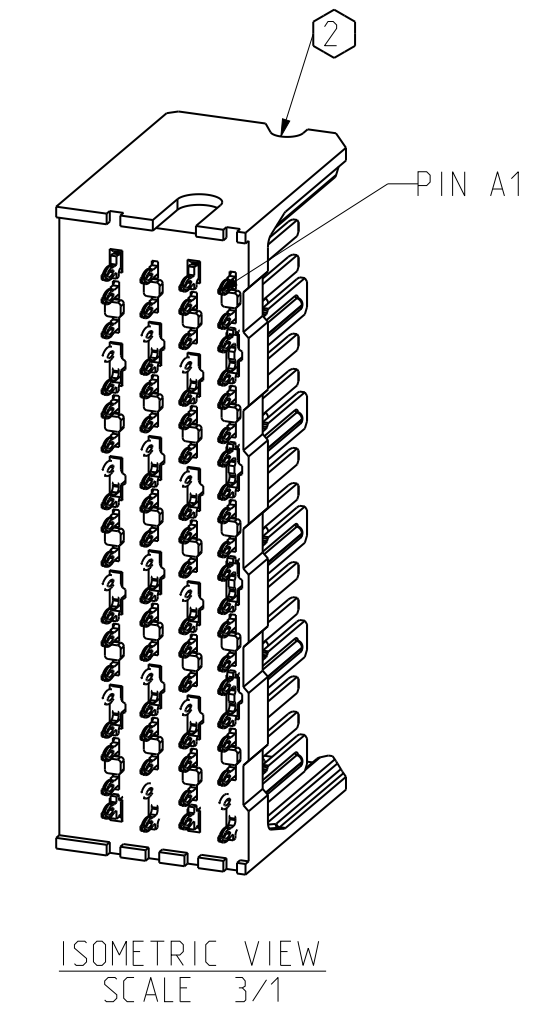
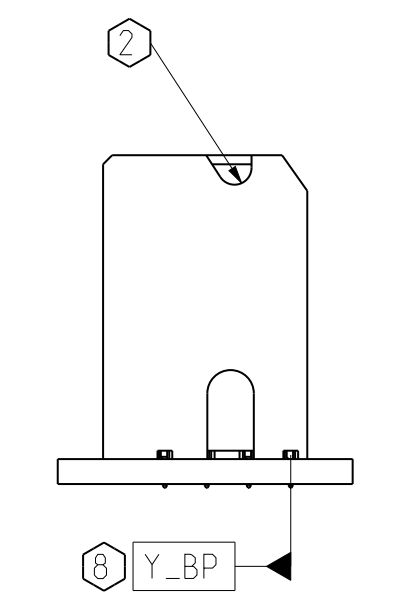
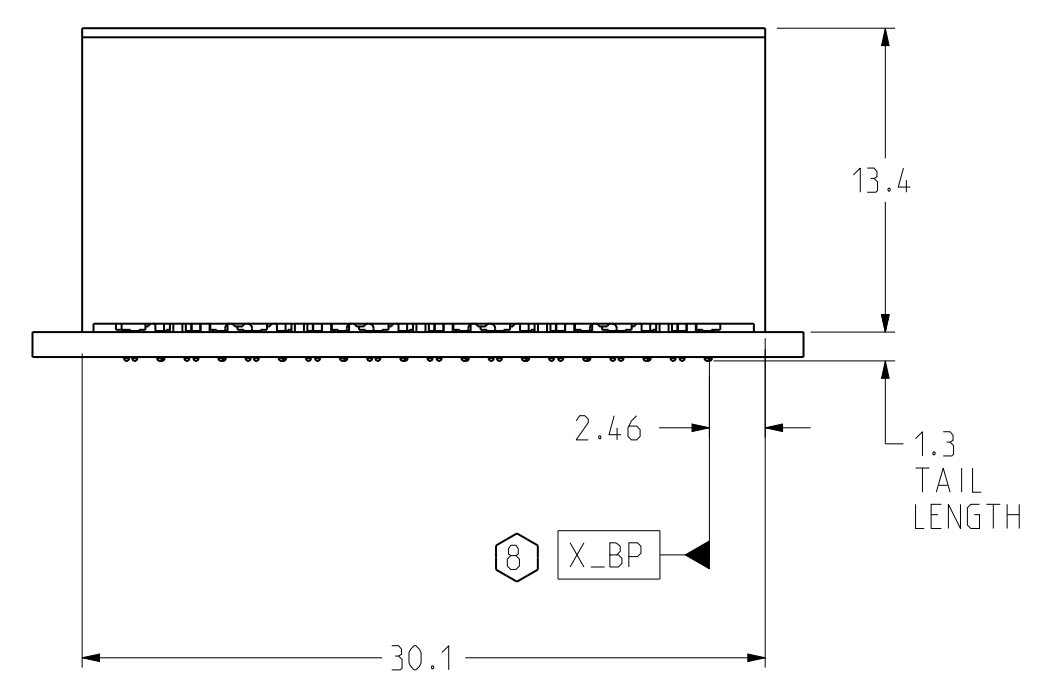
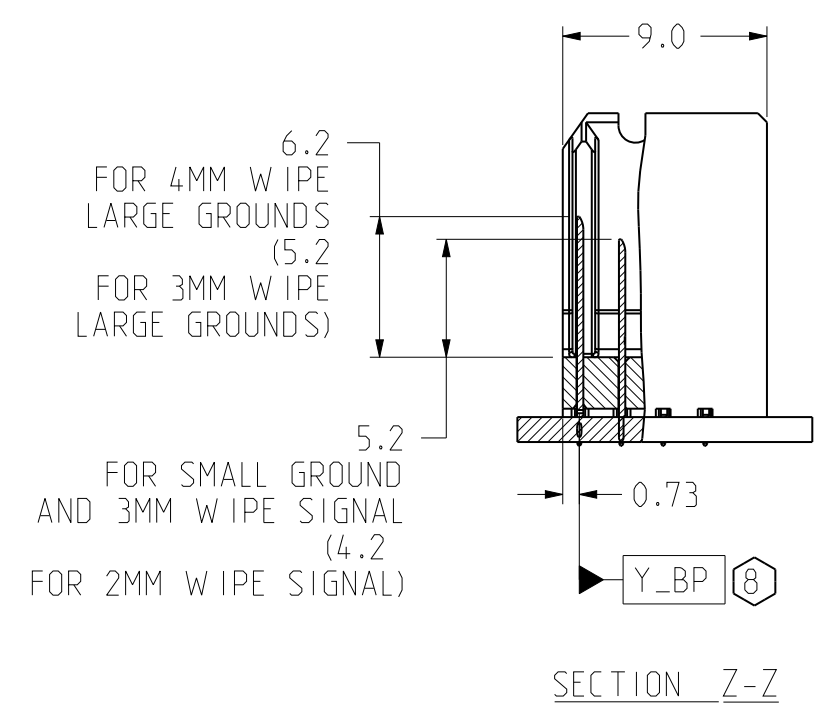
005-1500-500

SH 5 REV A

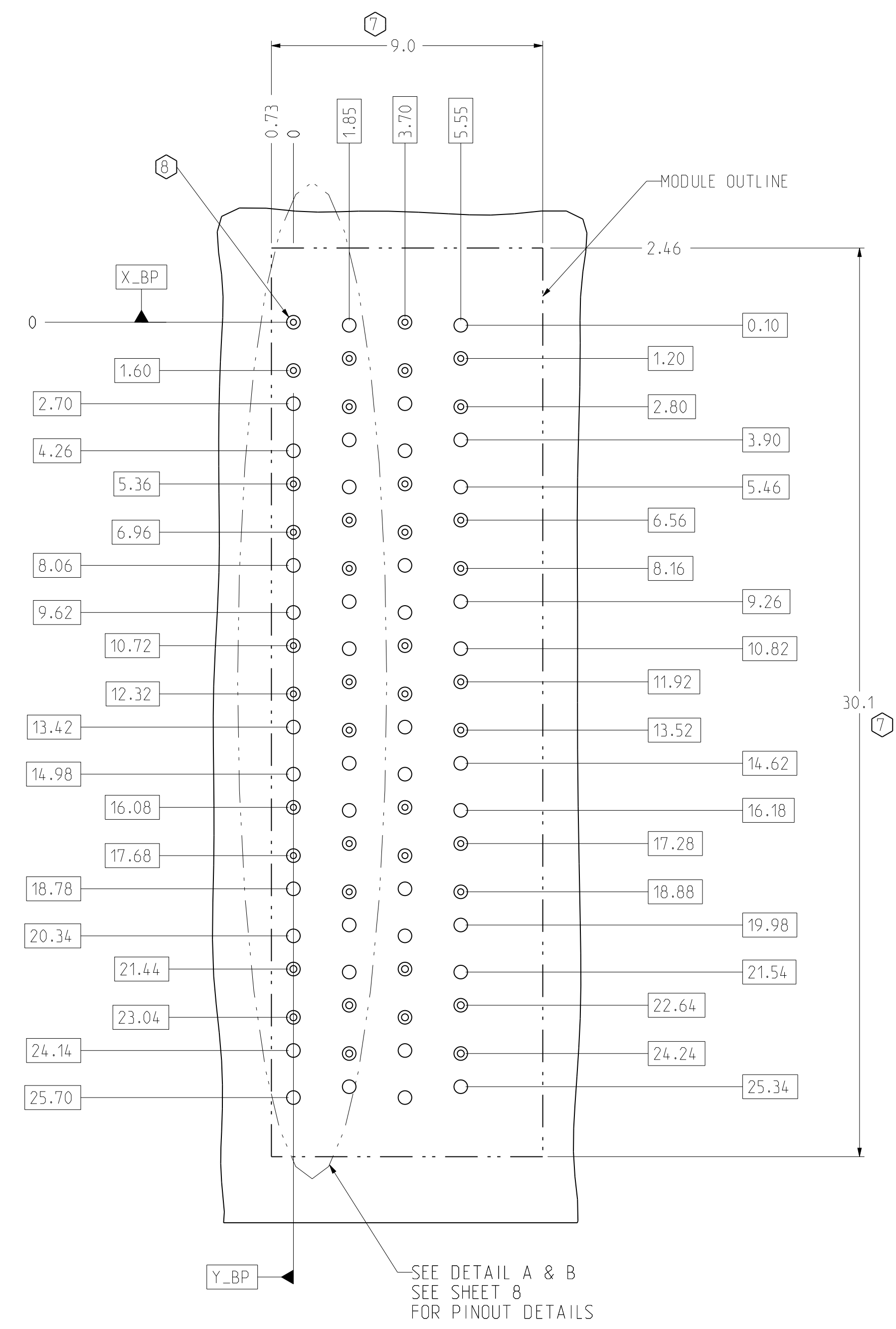
RIGHT WALL BACKPLANE MODULE DIMENSION



CONNECTOR REFERENCE  
SCALE 3/1



RIGHT WALL BACKPLANE FOOTPRINT



BP HOLE PATTERN  
COMPONENT SIDE  
SCALE 8/1

TOLERANCES	DESIGN 12/10/2009 A.ASTBURY
0.0 ±0.25	DRAWN 02/16/2010 HCL-MH
0.00 ±0.13	CHK 02/16/2010 A.ASTBURY
0.000 ± -	APVD 02/16/2010 D.SMITH
ANGLES ± 3°	

**Amphenol TCS**  
A Division of Amphenol Corporation  
200 Innovative Way, Nashua, NH 03062 603.879.3000

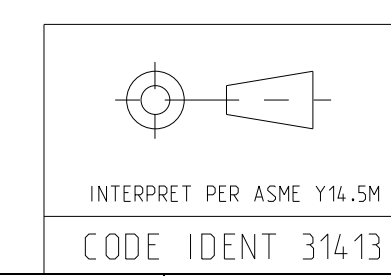
TITLE  
BACKPLANE MODULES, VERTICAL MALE HEADER  
XCode: 5 PAIR & POSITION

PART NO. SEE PN TREE SHEET 1  
REV N/A

DRAWING NO. C951-500J-500  
REV A

Pro/E Type: C951-5-BPS-4POS  
Pro/E DRAWING: C951-500J-500  
1.0  
A.O

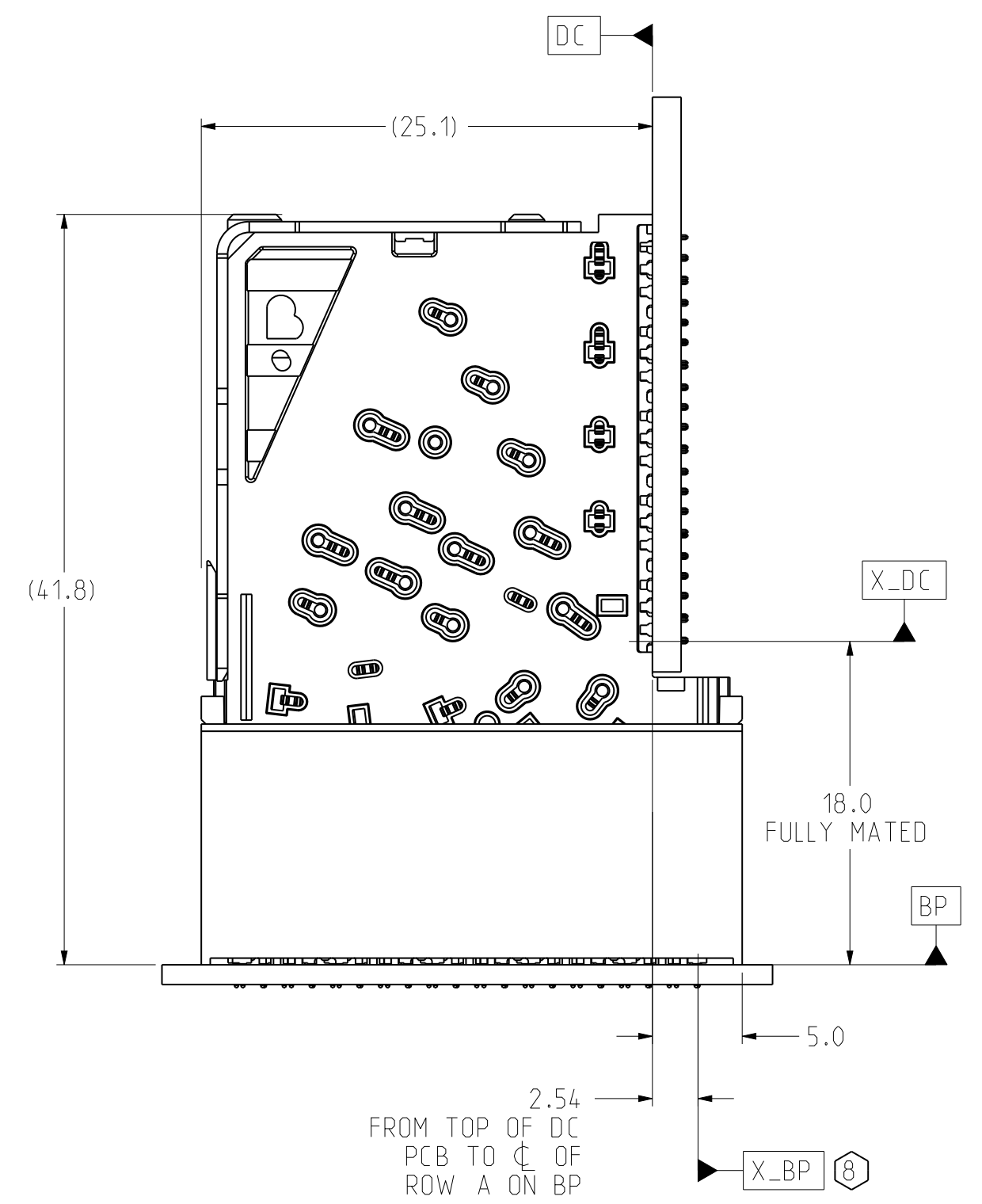
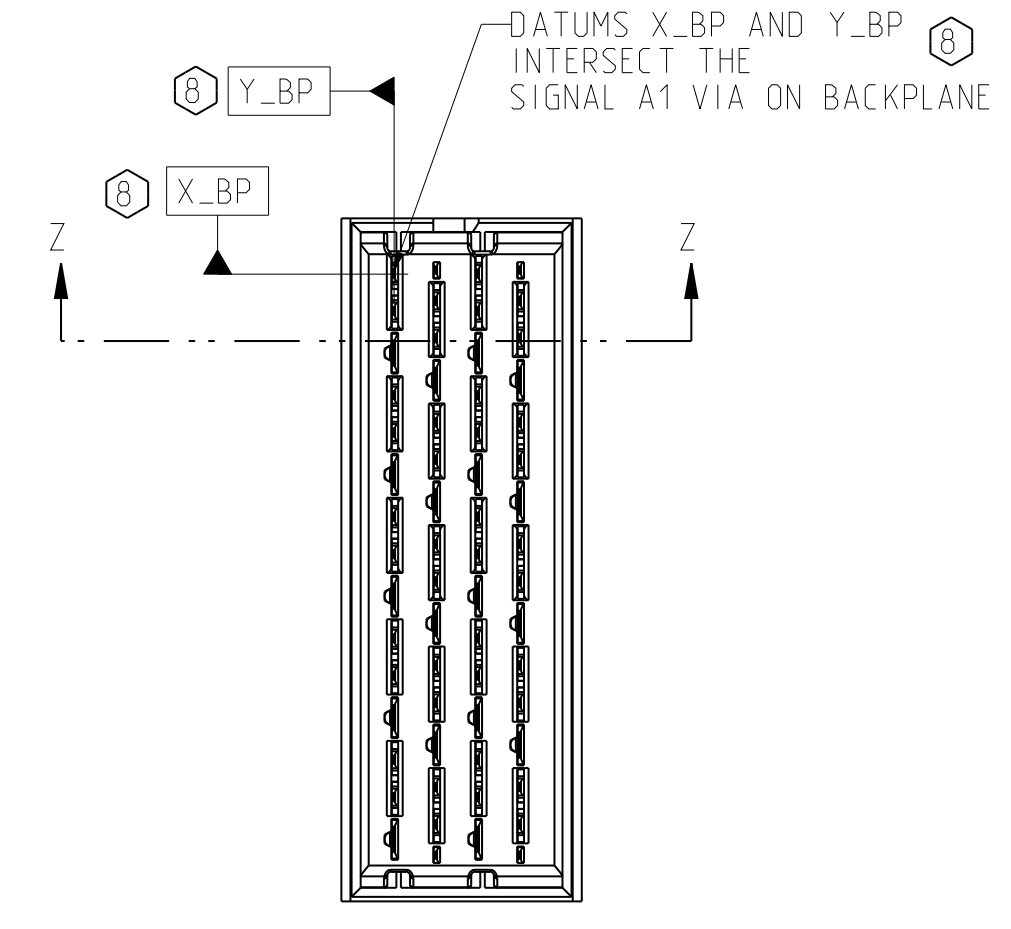
SIZE D SCALE 1/1 SHEET 6 OF 8



005-15001-500

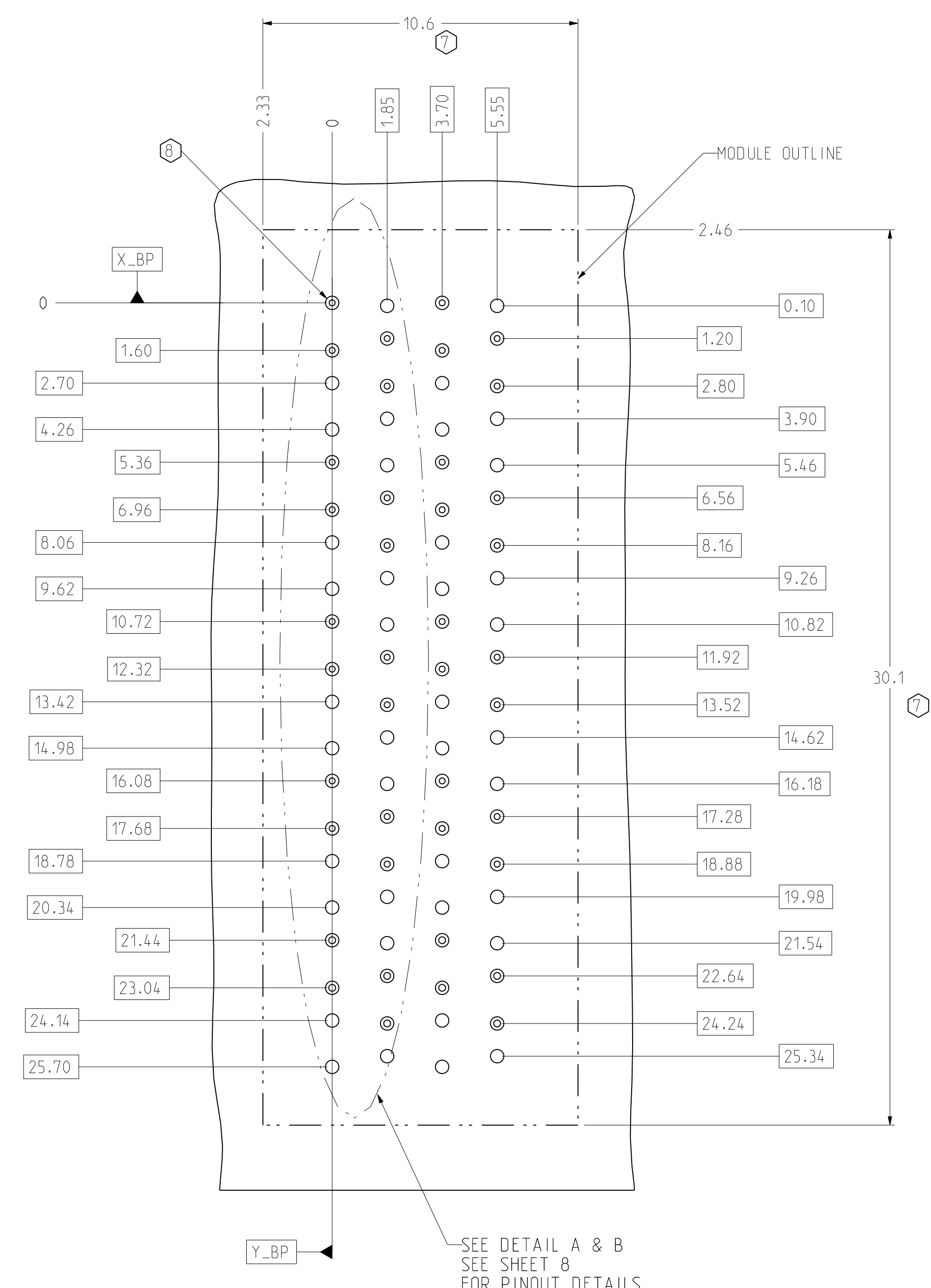
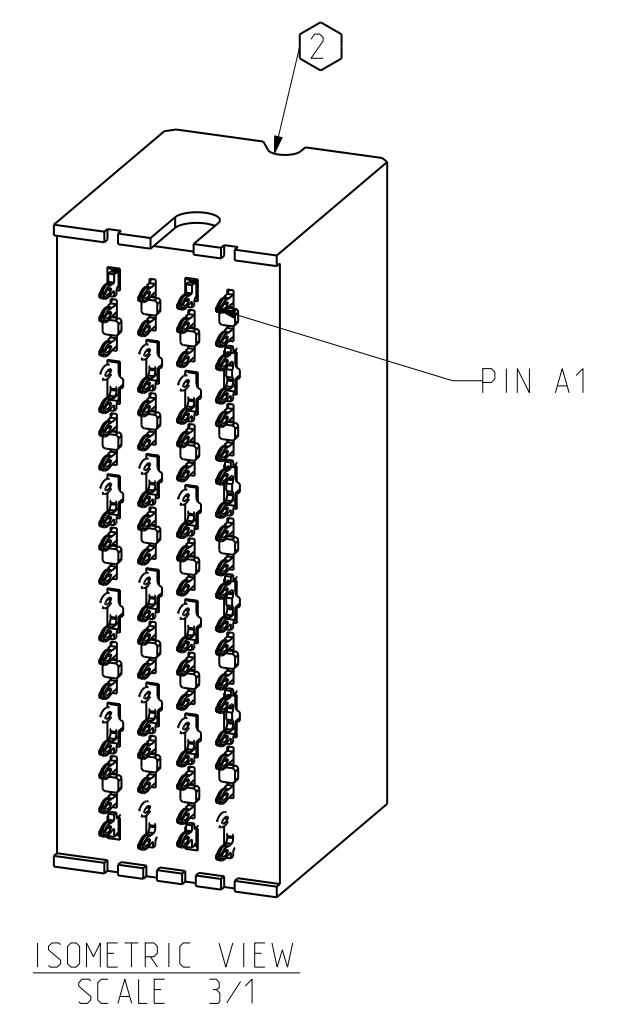
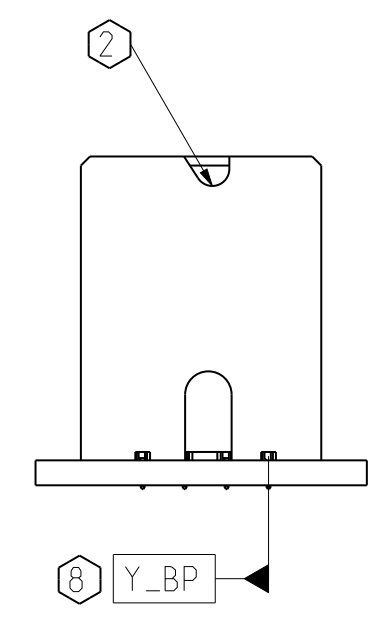
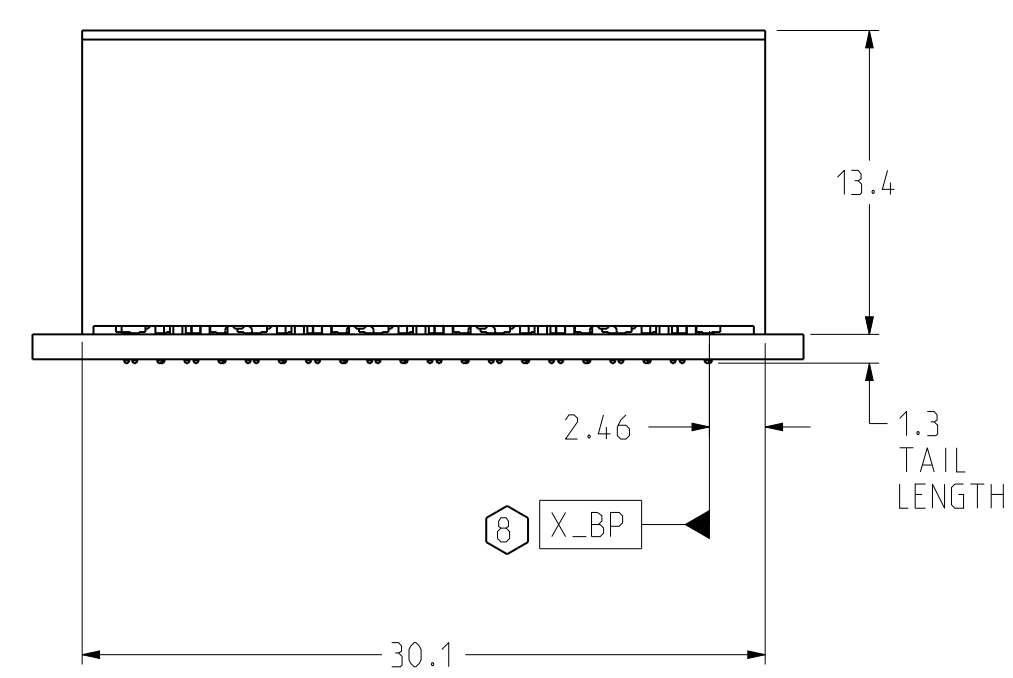
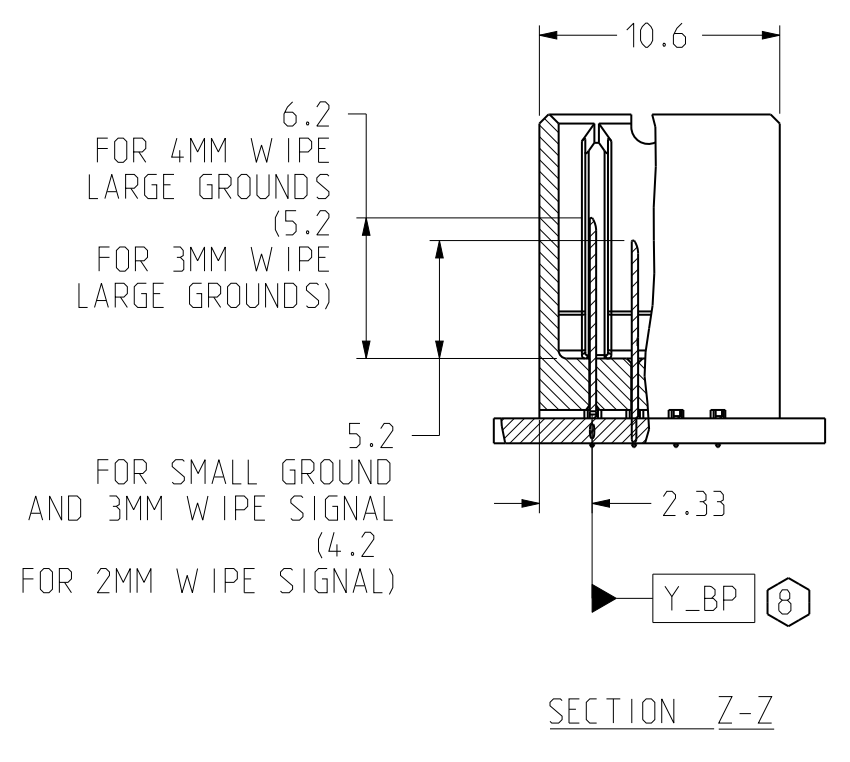
SH 6 REV A

ZONE	REV	SCR NUMBER	DESCRIPTION	BY	DATE	APPROVED
			SEE SHEET 1			



TWO WALL BACKPLANE MODULE DIMENSION

CONNECTOR REFERENCE SCALE 3/1



TWO WALL BACKPLANE FOOTPRINT

TOLERANCES		DESIGN 12/10/2009 A.ASTBURY	<b>Amphenol TCS</b> A Division of Amphenol Corporation 200 Innovative Way, Nashua, NH 03062 603.879.3000	TITLE	BACKPLANE MODULES, VERTICAL MALE HEADER	PART NO.	SEE PN TREE SHEET 1	REV	N/A	
0.0	±0.25	DRAWN 02/16/2010 HCL-MH		XCode: 5 PAIR & POSITION	DRAWING NO.	C951-500J-500	REV	A	A.O.	
0.00	±0.13	CHK 02/16/2010 A.ASTBURY		UNLESS OTHERWISE SPECIFIED DIMENSIONS ARE IN MM. DECIMAL MARKER IS A PERIOD.	SIZE	D	SCALE	1/1	SHEET	7 OF 8
0.000	± -	APVD 02/16/2010 D.SMITH		CUSTOMER USE DRAWING		CODE IDENT		31413		

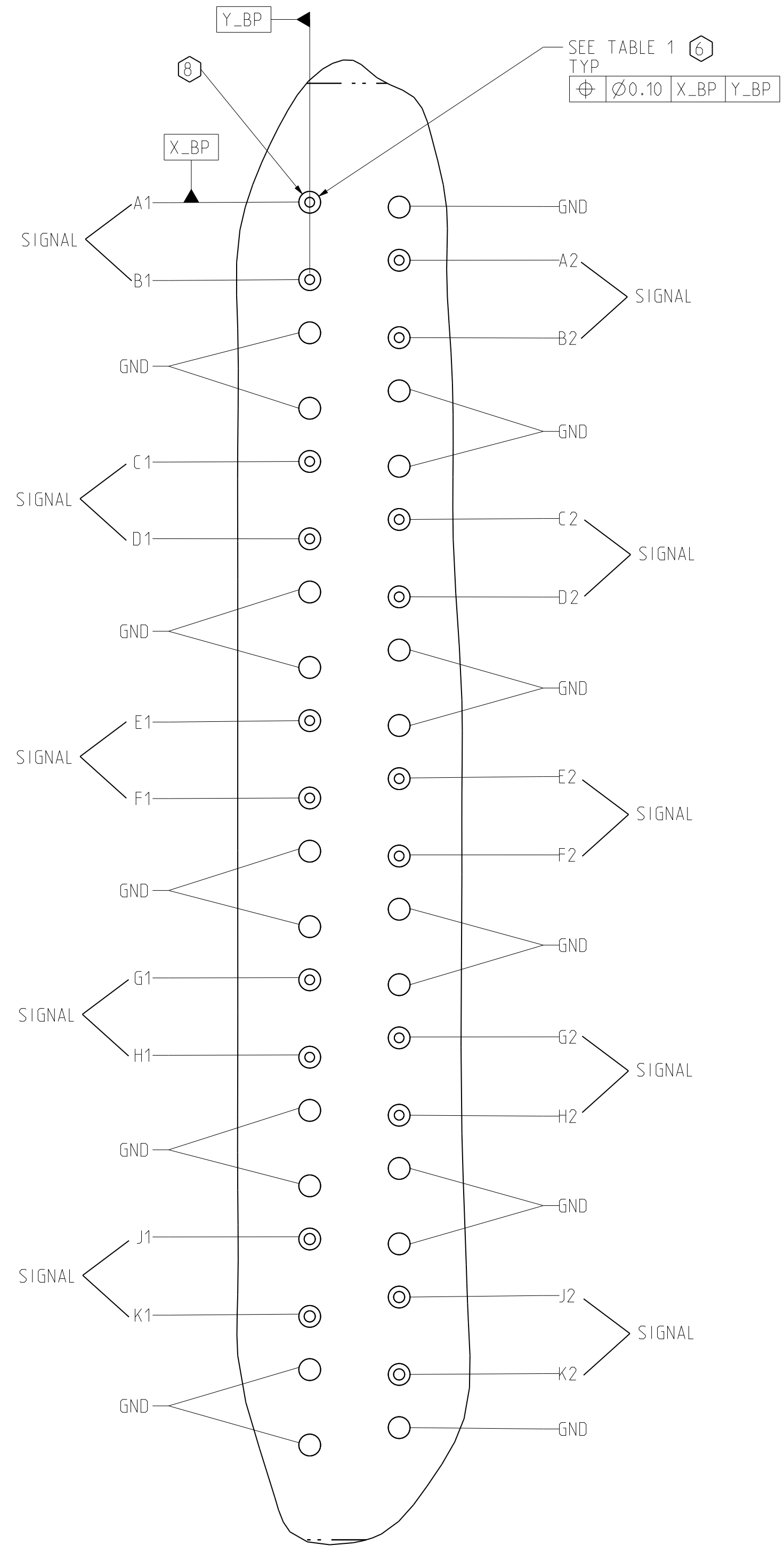
INTERPRET PER ASME Y14.5M  
CODE IDENT 31413

DRW NO. C951-500J-500

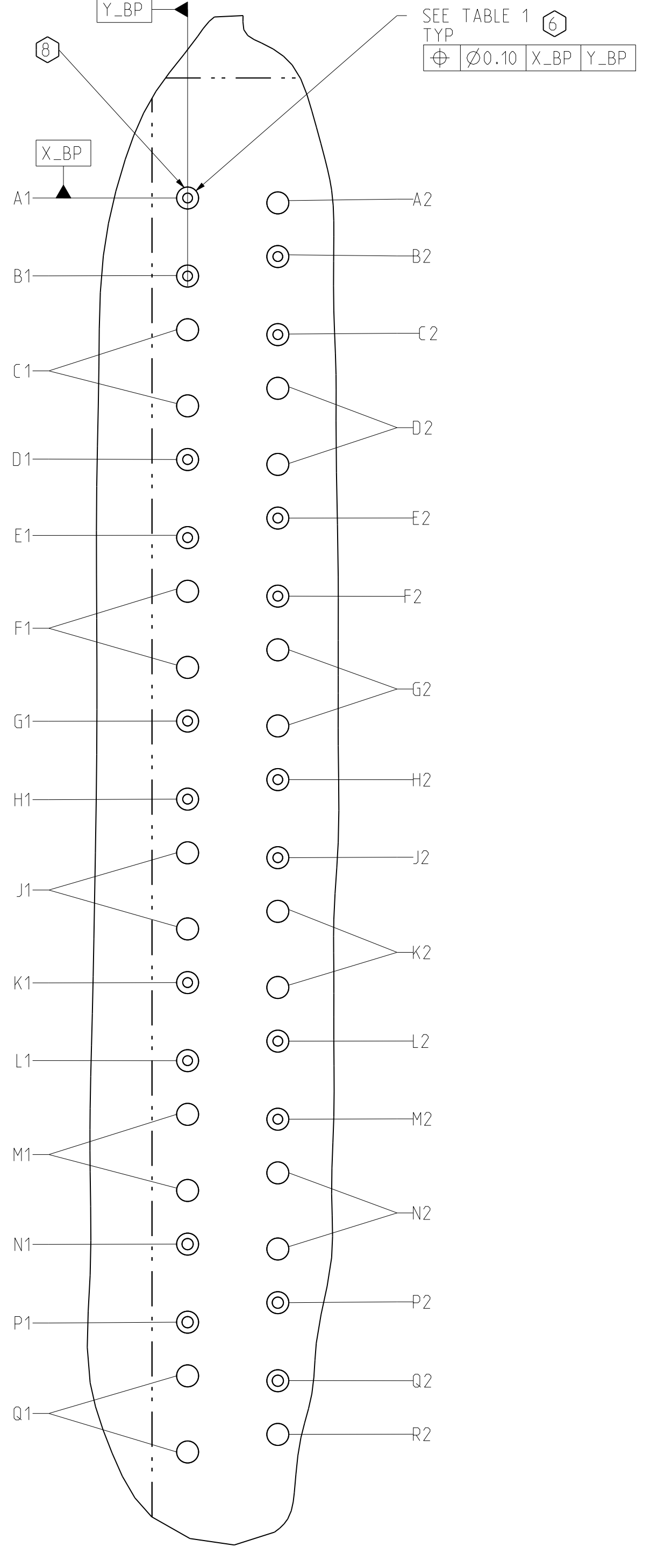
SH 7 REV A



ZONE	REV	SCR NUMBER	DESCRIPTION	BY	DATE	APPROVED
			SEE SHEET 1			



DETAIL A  
HSD PINOUTS  
SCALE 12/1



DETAIL B  
LC PINOUTS  
SCALE 12/1

	COMPLIANT PIN DRILL Ø0.0217"	COMPLIANT PIN DRILL Ø0.0177"
PTH	Ø0.45±0.05	Ø0.36±0.05
DRILL	Ø0.55 [0.0217"]	Ø0.45 [0.0177"]
PAD	Ø0.85	Ø0.75

TOLERANCES		DESIGN 12/10/2009 A.ASTBURY	<b>Amphenol TCS</b> A Division of Amphenol Corporation 200 Innovative Way, Nashua, NH 03062 603.879.3000	TITLE BACKPLANE MODULES, VERTICAL MALE HEADER XCode: 5 PAIR & POSITION		
0.0	±0.25	DRAWN 02/16/2010 HCL-MH		PART NO.	SEE PN TREE SHEET 1	REV N/A
0.00	±0.13	CHK 02/16/2010 A.ASTBURY		DRAWING NO.	C951-500J-500	REV A
0.000	± -	APVD 02/16/2010 D.SMITH		Pro/E Type: C951-5--BPS-4POS Pro/E DRAWING: C951-500J-500		1.0 A.O
ANGLES ± 3°		UNLESS OTHERWISE SPECIFIED DIMENSIONS ARE IN MM. DECIMAL MARKER IS A PERIOD.		SIZE D	SCALE 1/2	SHEET 8 OF 8

INTERPRET PER ASME Y14.5M  
CODE IDENT 31413

CUSTOMER USE  
DRAWING

005-1500J-500

SH 8  
REV A