



# "VRS" Series Connector

## IDC, Flat Ribbon, Socket, .100 inch [2.54] Centers

### Materials

#### Contact:

Phosphor Bronze

#### Insulator:

Polyester, Glass-filled

UL 94V-0, Black

### Finishes

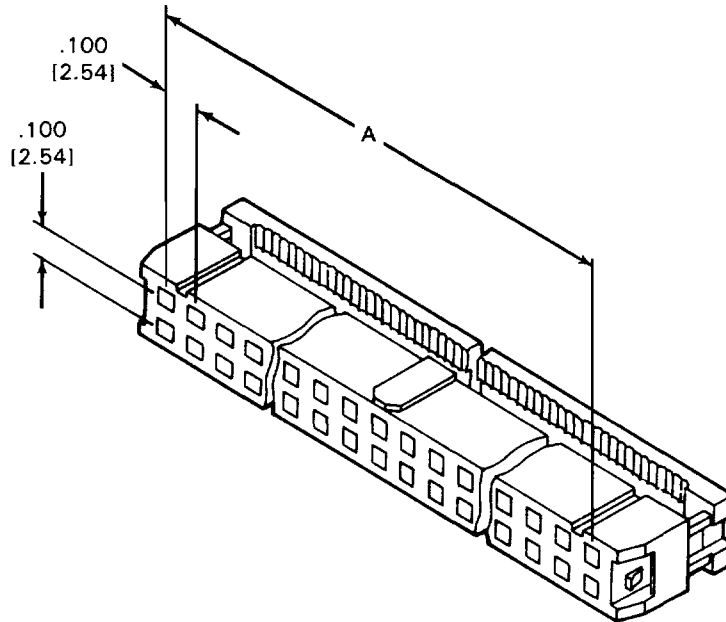
#### Contact:

Code A - Au Flash over  
50 uinches Ni undercoat

Code B - 30 uinches Au  
50 uinches Ni undercoat

#### Notes:

Consult our factory  
specialists for your  
specific design needs.



### PART NUMBERING

**308-7XX-100      XX = NUMBER OF PINS**  
**6 THRU 64 POSITIONS AVAILABLE**

PLATING	PART NUMBER	KEYING	PART NUMBER
CODE	W/O STRAIN RELIEF	OPTION	W/ STRAIN RELIEF
A	307-0XX-100	W/ CENTER KEY	307-0XX-120
B	307-0XX-300	W SIDE SLOT	307-0XX-320
A	307-1XX-100	W/O CENTER KEY	307-1XX-120
B	307-1XX-300	W/ SIDE SLOT	307-1XX-320
A	307-2XX-100	W/O CENTER KEY	307-2XX-120
B	307-2XX-300	W/O SIDE SLOT	307-2XX-320