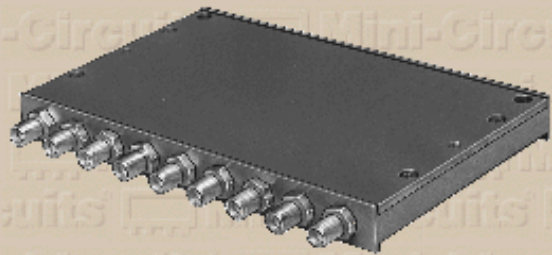


Power Splitter



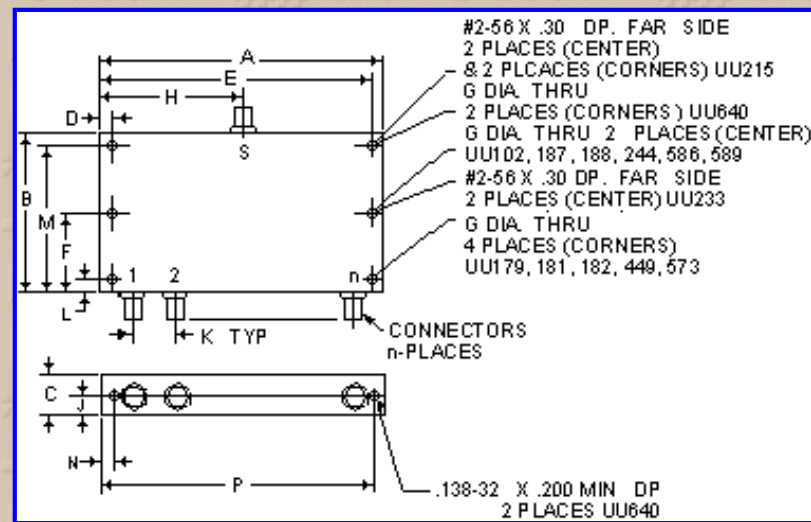
Notes:

- Non-catalog model. Please consult factory for price and delivery.
- General Quality Control Procedures and Environmental Specifications are given in [Mini-Circuits Guarantees Quality](#). Hi-Rel, MIL description are given in [Hi-Rel and MIL](#)
- Prices and Specifications subjects to change without notice.

ZC8PD-ED8435/2 8 Way-0°

Frequency MHz	Isolation, dB				Insertion Loss, dB Above 9.0dB				Phase Unbalance Degrees			Amplitude Unbalance, dB		
	L	M	U		L	M	U		L	M	U	L	M	U
$f_L - f_U$	Typ.	Min.	Typ.	Min.	Typ.	Max.	Typ.	Max.	Typ.	Max.	Typ.	Max.	Max.	Max.
304-1000														

L=low range(f_L to $10f_L$) M=mid range($10f_L$ to $f_U/2$) U=upper range($f_U/2$ to f_U)



FREQ (MHz)	Insertion Loss						Amplitude Unbalance (dB)	Isolation				Phase Unbalance (Degrees)	FREQ (MHz)	VSWR S	VSWR 1	VSWR 8
	(dB) S-1	(dB) S-2	(dB) S-3	(dB) S-4	(dB) S-6	(dB) S-8		(dB) 1-2	(dB) 1-8	(dB) 3-4	(dB) 5-6					
304.00	9.43	9.42	9.40	9.38	9.46	9.48	0.100	14.51	35.90	14.28	14.42	0.75	304.00	1.22	1.01	1.04
317.00	9.40	9.41	9.38	9.36	9.43	9.45	0.090	15.40	37.63	15.14	15.27	0.80	317.00	1.14	1.01	1.04
330.00	9.40	9.40	9.37	9.35	9.43	9.45	0.090	16.34	39.59	16.04	16.17	0.77	330.00	1.09	1.01	1.03
340.00	9.40	9.42	9.37	9.36	9.43	9.45	0.090	17.10	41.17	16.77	16.90	0.82	340.00	1.07	1.02	1.03
360.00	9.42	9.43	9.39	9.37	9.45	9.47	0.100	18.73	44.48	18.31	18.42	0.94	360.00	1.11	1.02	1.03
380.00	9.45	9.47	9.41	9.39	9.48	9.49	0.100	20.53	46.18	20.01	20.06	0.97	380.00	1.16	1.03	1.03
400.00	9.48	9.49	9.43	9.41	9.50	9.51	0.100	22.58	44.99	21.93	21.87	1.00	400.00	1.18	1.03	1.03
470.00	9.50	9.53	9.45	9.42	9.53	9.53	0.110	32.05	40.27	30.16	29.55	1.14	470.00	1.12	1.02	1.02
530.00	9.52	9.55	9.46	9.44	9.55	9.54	0.110	31.32	40.46	30.14	29.84	1.17	530.00	1.06	1.02	1.04
630.00	9.62	9.65	9.56	9.52	9.63	9.62	0.130	24.90	51.91	24.66	24.57	1.34	630.00	1.19	1.02	1.04
650.00	9.65	9.68	9.58	9.54	9.65	9.64	0.150	24.58	61.76	24.41	24.43	1.42	650.00	1.22	1.03	1.05
670.00	9.67	9.69	9.59	9.55	9.66	9.65	0.140	24.76	58.46	24.64	24.72	1.43	670.00	1.23	1.04	1.06
690.00	9.68	9.72	9.60	9.56	9.67	9.66	0.160	25.37	51.03	25.29	25.39	1.53	690.00	1.21	1.05	1.07
710.00	9.69	9.71	9.60	9.55	9.67	9.65	0.160	26.27	47.30	26.19	26.23	1.50	710.00	1.17	1.06	1.07
730.00	9.69	9.72	9.60	9.54	9.67	9.65	0.170	27.19	45.14	27.02	26.91	1.59	730.00	1.12	1.06	1.07
750.00	9.68	9.71	9.59	9.54	9.66	9.64	0.180	27.83	43.78	27.43	27.16	1.62	750.00	1.06	1.06	1.07
800.00	9.73	9.75	9.62	9.56	9.69	9.67	0.200	28.98	42.89	27.70	27.35	1.66	800.00	1.05	1.05	1.05
865.00	9.77	9.81	9.64	9.57	9.71	9.68	0.240	31.97	48.47	30.92	29.96	1.85	865.00	1.05	1.06	1.04
900.00	9.81	9.85	9.66	9.58	9.73	9.71	0.270	27.55	56.25	28.91	28.26	1.94	900.00	1.04	1.06	1.04
950.00	9.88	9.91	9.69	9.60	9.76	9.71	0.310	22.97	41.00	25.03	25.04	1.99	950.00	1.07	1.08	1.07
1000.00	10.06	10.10	9.83	9.73	9.90	9.84	0.380	19.55	34.42	21.29	21.11	2.15	1000.00	1.40	1.10	1.10

Case Style - UU640 (inch,mm) weight: 450 grams.

A	B	C	D	E	F	G	H	J
8.50	4.00	.50	.170	8.330	.201	4.25	.19	
215.900	101.600	12.700	4.318	211.582	5.105	107.950	4.826	
K	L	M	N	P	Q	R	S	T
.500		3.830	.150	8.350				
12.700		97.282	3.810	212.090				

Tolerance: .x ± .1 .xx ± .03 .xxx ± .015 inch.

Material and Finish:

Case material: aluminum alloy. Finish: iridite per MIL-C-5541

Connectors:
Connectors: Female SMA only.



Mini-Circuits[®]

Distribution Centers NORTH AMERICA 800-654-7949 • 417-335-5935 • Fax 417-335-5945 • EUROPE • 44-1252-832600 • Fax 44-1252-837010

INTERNET <http://www.minicircuits.com>

P.O. Box 350166, Brooklyn, New York 11235-0003 (718) 934-4500 Fax (718) 332-4661

ISO 9001 CERTIFIED

[Back](#)

i2 Technologies US, Inc.

HTML Pages converted to PDF Document

This document contains component information from the manufacturer's website which are not available in a revision controlled document from the manufacturer. To facilitate the addition of these parts into the Electronics Database, we are converting the HTML pages related to that part, from the manufacturer's website into Adobe PDF format. The contents of this document is based on the information provided on the manufacturer's website, therefore the information may have been changed by the manufacturer since this was created.

