

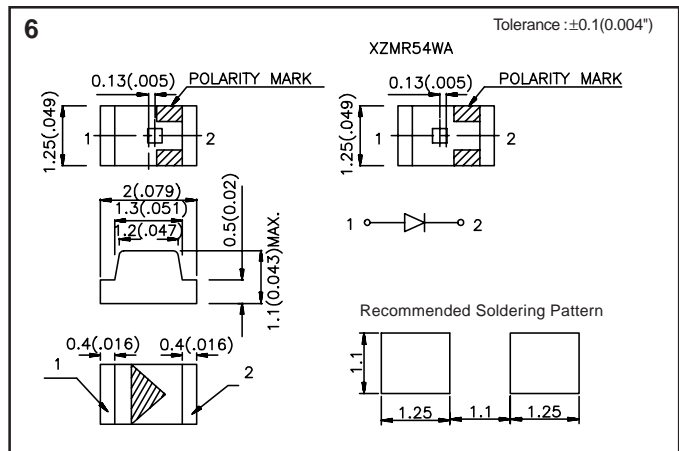
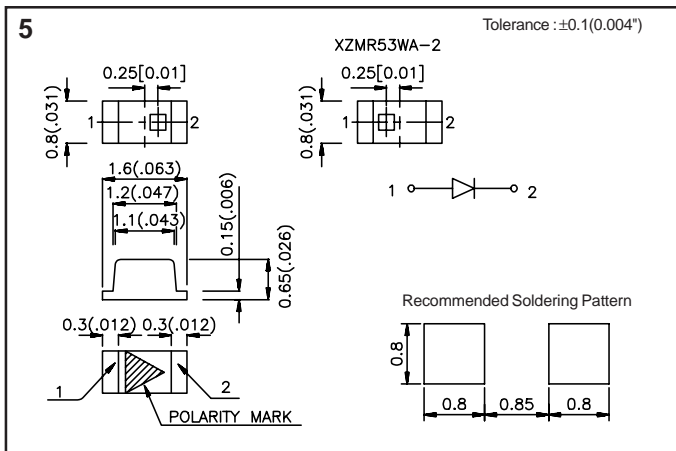


SMD Chip LED Lamps



Shape	Part No.	Material (Emitted Color)	Lens	Peak Wave Length (nm)	Electrical/Optical Data				Viewing Angle 2θ1/2	Figure No.
					Vf (V) If=20mA		Iv (mcd) If=20mA			
					Typ.	Max.	Min.	Typ.		
1.6x0.8x0.65mm (0603) 	XZUR53W-2	GaAsP/GaP (Red)	Water Clear	627	2.0	2.5	4	11	120°	5
	XZMR53WA-2	GaAlAs (Red)	Water Clear	660	1.85	2.5	36	95	120°	
	XZMDK53W-2	InGaAlP (Red)	Water Clear	650	1.95	2.5	50	145	120°	
	XZMD53W-2	InGaAlP (Red)	Water Clear	640	1.9	2.5	70	175	120°	
	XZMOK53W-2	InGaAlP (Orange)	Water Clear	610	2.1	2.5	50	155	120°	
	XZMO53W-2	InGaAlP (Orange)	Water Clear	610	2.0	2.5	70	195	120°	
	XZMG53W-2	GaP (Green)	Water Clear	565	2.2	2.5	4	14	120°	
	XZSGK53W-2	InGaAlP (Green)	Water Clear	574	2.1	2.5	18	59	120°	
	XZSG53W-2	InGaAlP (Green)	Water Clear	574	2.1	2.5	18	69	120°	
	XZAG53W-2	InGaN (Green)	Water Clear	500	3.6	4.4	50	98	120°	
	XZBGK53W-2	InGaN (Green)	Water Clear	515	4.2	4.8	36	95	120°	
	XZBG53W-2	InGaN (Green)	Water Clear	520	4.0	4.5	50	115	120°	
	XZUY53W-2	GaAsP/GaP (Yellow)	Water Clear	590	2.1	2.5	2.6	7	120°	
	XZMYK53W-2	InGaAlP (Yellow)	Water Clear	590	2.0	2.5	18	48	120°	
	XZMY53W-2	InGaAlP (Yellow)	Water Clear	590	2.0	2.5	36	75	120°	
	XZUBK53W-2	GaN (Blue)	Water Clear	430	4.0	4.5	2.6	5	120°	
	XZUB53W-2	GaN (Blue)	Water Clear	430	3.8	4.5	2.6	7	120°	
XZBB53W-2	InGaN (Blue)	Water Clear	468	3.65	4.2	18	40	120°		

2.0x1.25x1.1mm (0805) 	XZUR54W	GaAsP/GaP (Red)	Water Clear	627	2.0	2.5	4	11	120°	6
	XZMR54WA	GaAlAs (Red)	Water Clear	660	1.85	2.5	36	75	120°	
	XZMDK54W	InGaAlP (Red)	Water Clear	650	1.95	2.5	50	145	120°	
	XZMD54W	InGaAlP (Red)	Water Clear	640	1.9	2.5	70	175	120°	
	XZMOK54W	InGaAlP (Orange)	Water Clear	610	2.1	2.5	50	155	120°	
	XZMO54W	InGaAlP (Orange)	Water Clear	610	2.0	2.5	70	195	120°	
	XZMG54W	GaP (Green)	Water Clear	565	2.2	2.5	4	14	120°	
	XZSGK54W	InGaAlP (Green)	Water Clear	574	2.1	2.5	18	59	120°	
	XZSG54W	InGaAlP (Green)	Water Clear	574	2.1	2.5	18	69	120°	
	XZAG54W	InGaN (Green)	Water Clear	500	3.6	4.4	50	98	120°	
	XZBGK54W	InGaN (Green)	Water Clear	515	4.2	4.8	36	95	120°	
	XZBG54W	InGaN (Green)	Water Clear	520	4.0	4.5	50	115	120°	
	XZUY54W	GaAsP/GaP (Yellow)	Water Clear	590	2.1	2.5	2.6	7	120°	
	XZMYK54W	InGaAlP (Yellow)	Water Clear	590	2.0	2.5	18	48	120°	
	XZMY54W	InGaAlP (Yellow)	Water Clear	590	2.0	2.5	36	75	120°	
	XZUBK54W	GaN (Blue)	Water Clear	430	4.0	4.5	2.6	5	120°	
	XZUB54W	GaN (Blue)	Water Clear	430	3.8	4.5	2.6	7	120°	
XZBB54W	InGaN (Blue)	Water Clear	468	3.65	4.2	18	40	120°		



7

1. Soldering Pattern Dimension Unit : mm Tolerance : ±0.25mm Dimension Unit : mm(inches)
2. We reserve the right to make changes at any time to enhance the design and / or performance of the product.