

SPECIFICATION FOR LCD MODULE

Model No. TM11264JCCWG

Prepared by:	Date:
Checked by :	Date:
Verified by :	Date:
Approved by:	Date:

TIANMA MICROELECTRONICS CO., LTD

Ver.1.0

REVISION RECORD

Date	Ref. Page	Revision No.	Revision Items	Check & Approval

1 General Specifications:

1.1 Display type: STN

1.2 Display color*¹:

Display color: Blue-Black

Background*²: White

1.3 Polarizer mode: Transflective/Positive

1.4 Viewing Angle: 6:00

1.5 Driving Method: 1/65 Duty 1/9 Bias

1.6 Lcd operation voltage: 9.5V VDD: 2.6~3.0V

1.7 Backlight: LED (Color: Blue&Amber)

1.8 Controller: S6B0724A01-B0CY

1.9 Data Transfer: 8 Bit Parallel(6800) or Serial

1.10 Operating Temperature: -20----+70°C

Storage Temperature: -30----+80°C

1.11 Outline Dimensions: Refer to outline drawing on next page

1.12 Dot Matrix: 112X 64 DOTS

1.13 Dot Size: 0.22X0.25 (mm)

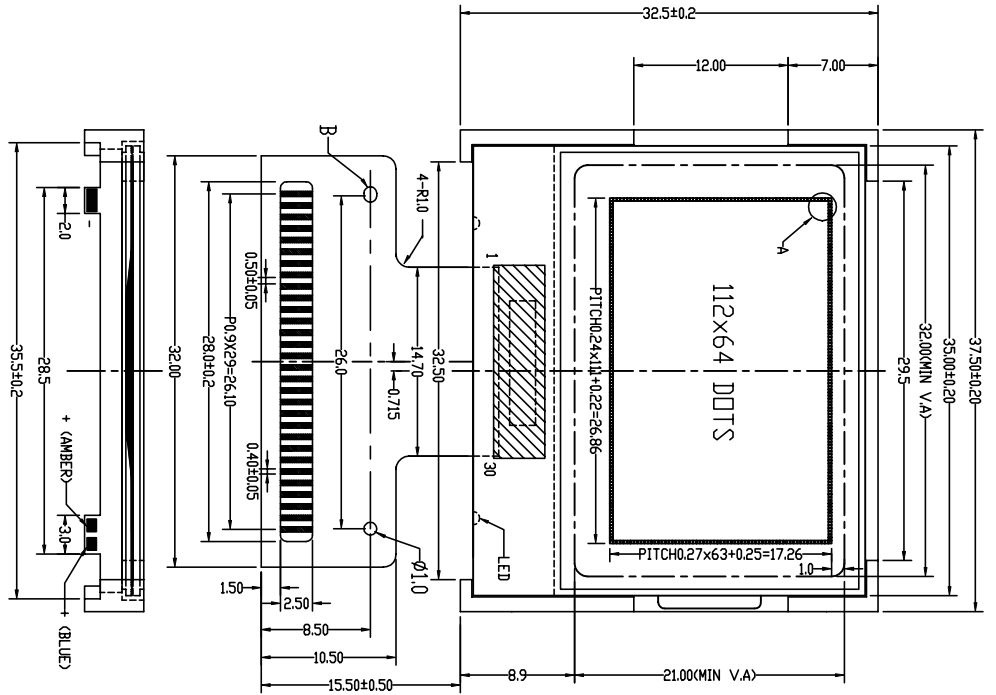
1.14 Dot Pitch: 0.24X0.27 (mm)

1.15 Weight: Approx 10g

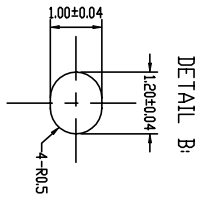
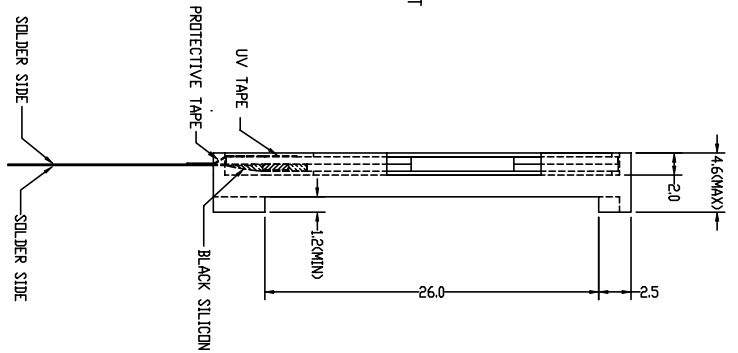
*¹ Color tone is slightly changed by temperature and driving voltage.

*² Color tone will be changed by backlight.

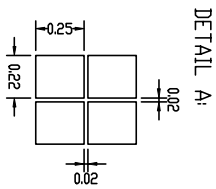
2 Outline Drawing



FRONT



- NOTES:
1. DISPLAY TYPE: FSTN
 2. VIEWING DIRECTION: 600
 3. POLARIZER MODE: TRANSPARENT/POSITIVE
 4. DRIVE METHOD: 1/65 DUTY 1/9 BIAS
 5. LCD OPERATING VOLTAGE: 9.5V VDD=2.6-3.0V
 6. OPERATING TEMP: -20°C+70°C
 7. STORAGE TEMP: -30°C+80°C
 8. CONTROLLER: S6B0724A01-B0CY
 9. CONNECTION: FPC
 10. BACKLIGHT: LED(COLOR:BLUE&AMBER)
 11. BACKLIGHT OPERATING VOLTAGE: 3.35V(BLUE) 1.9V(AMBER) (IF=30mA)
 12. UNMARKED TOLERANCE: ±0.3
 13. MICROPROCESSOR INTERFACE: PARALLEL(6800 SERIES) OR SERIAL



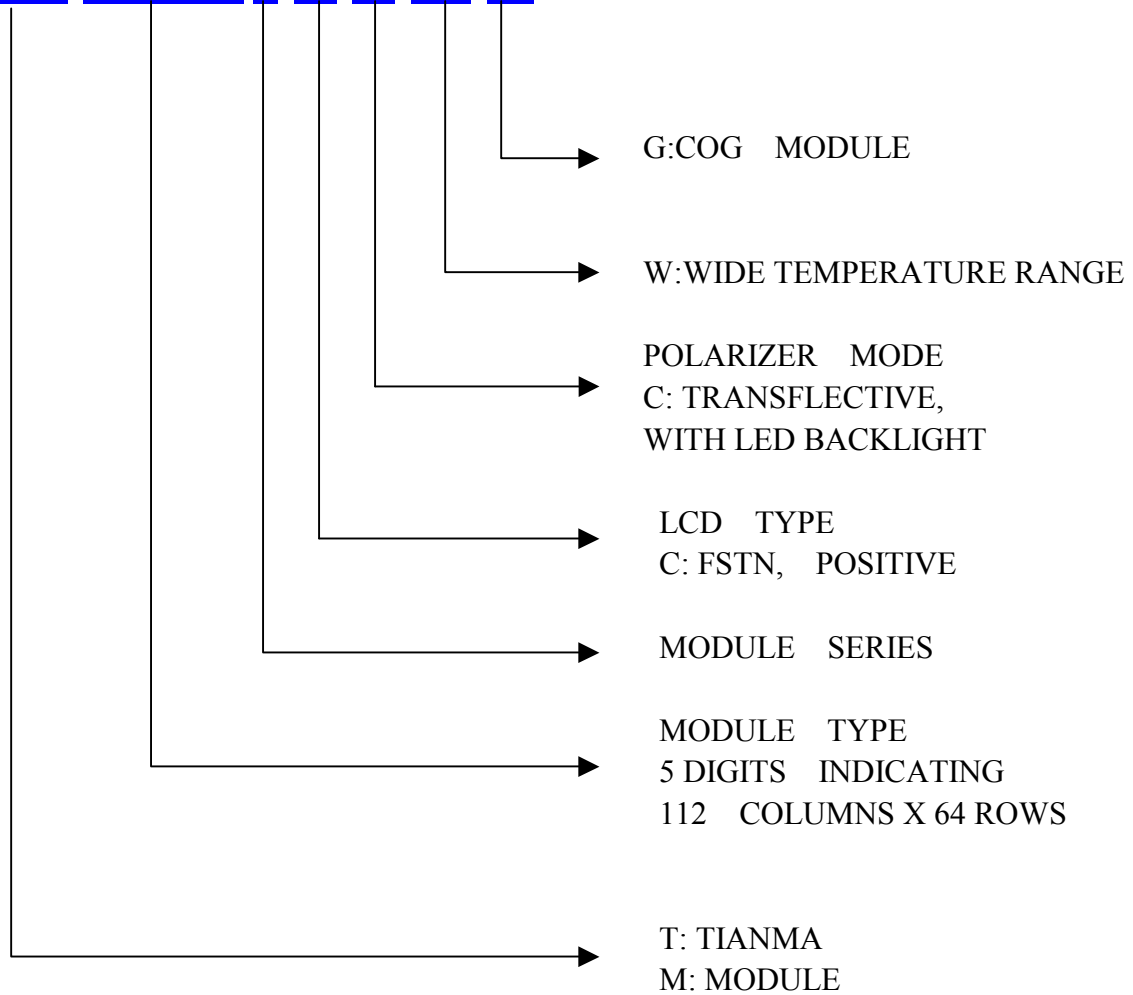
1	CSIB
2	RESETB
3	RS
4	WRB
5	RDB
6	D0
7	D1
8	D2
9	D3
10	D4
11	D5
12	D6(SCLK)
13	D7(SID)
14	VDD
15	VSS
16	VOUT
17	C4+
18	C3+
19	C1-
20	C1+
21	C2+
22	C2-
23	V1
24	V2
25	V3
26	V4
27	V0
28	VR
29	PS
30	INTRS

TIAN-MA MICROELECTRONICS CO.
6/F., CASTIC Building, Sherman Road, Central, Shenzhen, China

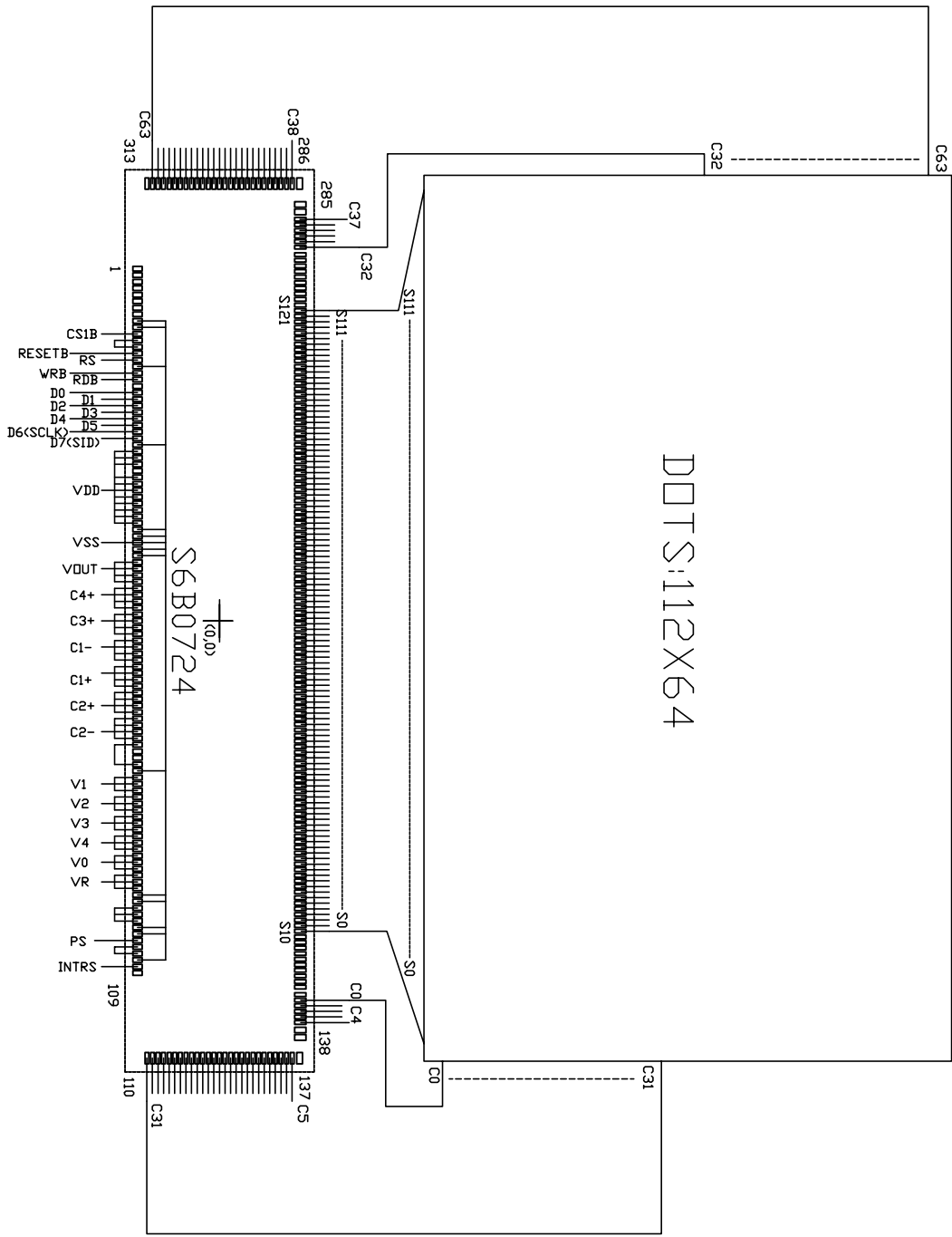
DRAWN BY:	6/F., CASTIC Building, Sherman Road, Central, Shenzhen, China	TITLE: TM11264JCCWG	SCALE: 1:1
CHECKED BY:		DWG NO: G-2	UNIT: mm
APPROVED BY:		DWG NAME: TM11264JCCWG-2	SHEET NO: 0P
CONFIRMED BY:			

3 LCD Module Part Numbering System

T M 11264 J C C W G



4 Circuit Block Diagram



5 Absolute Maximum Ratings

Item	Symbol	Min.	Max.	Unit	Remark
Power Supply Voltage	$V_{DD}-V_{SS}$	-0.3	7.0	V	
LCD Driving Voltage	V_{LCD}	-0.3	17.0		
Operating Temperature Range	T_{OP}	-20	+70	°C	No Condensation
Storage Temperature Range	T_{ST}	-30	+80		

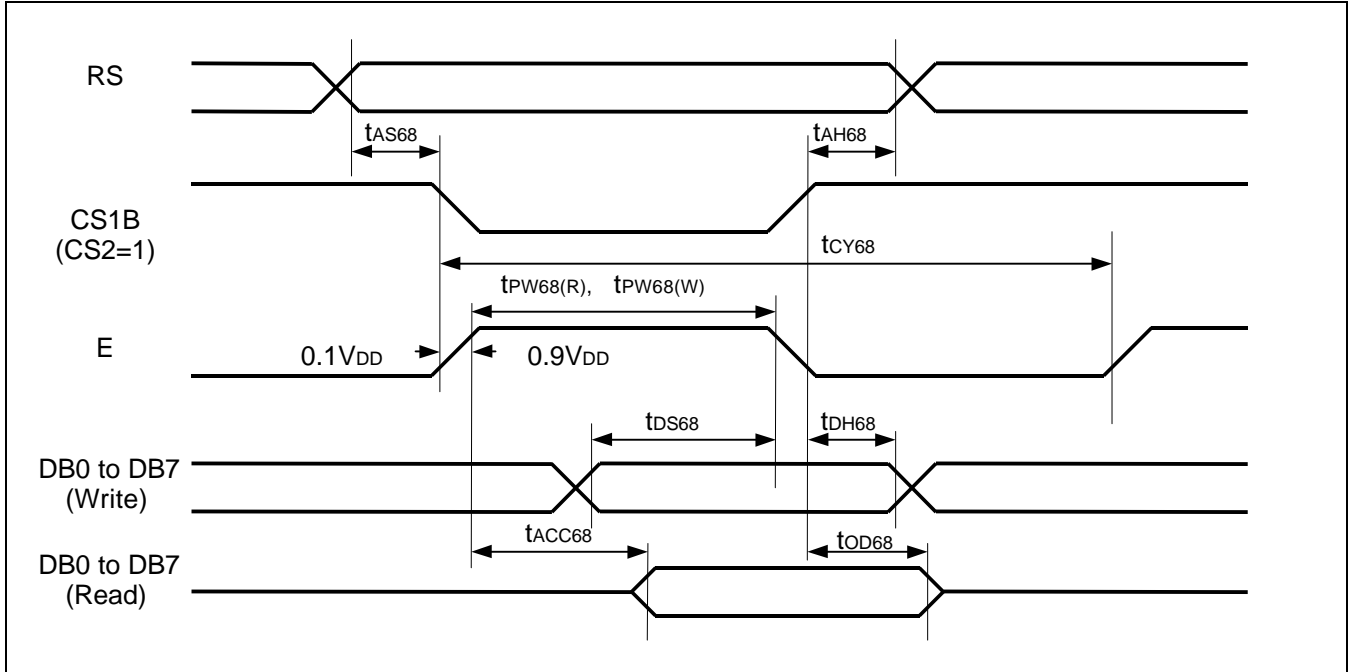
6.1 Electrical characteristics

Item		Symbol	Min.	Typ.	Max.	Unit
Supply Voltage (Logic)		$V_{DD}-V_{SS}$	2.6	3.0	3.5	V
Supply Voltage (LCD Drive)		V_{LCD}	4.5	9.5	15.0	V
Input Signal Voltage	High	V_{IH} ($V_{DD}=3.0$)	$0.8V_{DD}$	-	V_{DD}	V
	Low	V_{IL} ($V_{DD}=3.0$)	0	-	$0.2 V_{DD}$	V
Supply current (Logic) (Display Character)		I_{DD} ($V_{DD}-V_{SS}=3.0$)	-	-	300	uA
Supply current (LED Backlight)		I_{BL}	Blue	-	30 ($V_f=3.35v$)	- mA
			Amber	-	30 ($V_f=1.9v$)	- mA

6.2 Interface Signals

Pin No.	Symbol	Level	Description
1	CS1B	H/L	Chip selects signal. “L” Active
2	RESETB	H/L	Reset Signal
3	RS	H/L	H: Input data are display data L: Input data are control data
4	WRB	H/L	R/W signal
5	RDB	H/L	Enable signal
6	D0	H/L	Data bit 0
7	D1	H/L	Data bit 1
8	D2	H/L	Data bit 2
9	D3	H/L	Data bit 3
10	D4	H/L	Data bit 4
11	D5	H/L	Data bit 5
12	D6(SCLK)	H/L	Data bit 6
13	D7(SID)	H/L	Data bit 7
14	VDD	2.6~3.0V	Power supply voltage for logic and step-up voltage
15	VSS	0V	Ground
16	VOUT	-	DC/DC voltage converter output
17	C4+	-	Capacitor pin for voltage converter
18	C3+	-	Capacitor pin for voltage converter
19	C1-	-	Capacitor pin for voltage converter
20	C1+	-	Capacitor pin for voltage converter
21	C2+	-	Capacitor pin for voltage converter
22	C2-	-	Capacitor pin for voltage converter
23	V1	-	Power supply voltage for LCD
24	V2	-	Power supply voltage for LCD
25	V3	-	Power supply voltage for LCD
26	V4	-	Power supply voltage for LCD
27	V0	-	Power supply voltage for LCD
28	VR	-	Voltage adjustment pin
29	PS	H/L	Parallel/Serial Select Signal
30	INTRS	H/L	Internal Resistor Select Signal

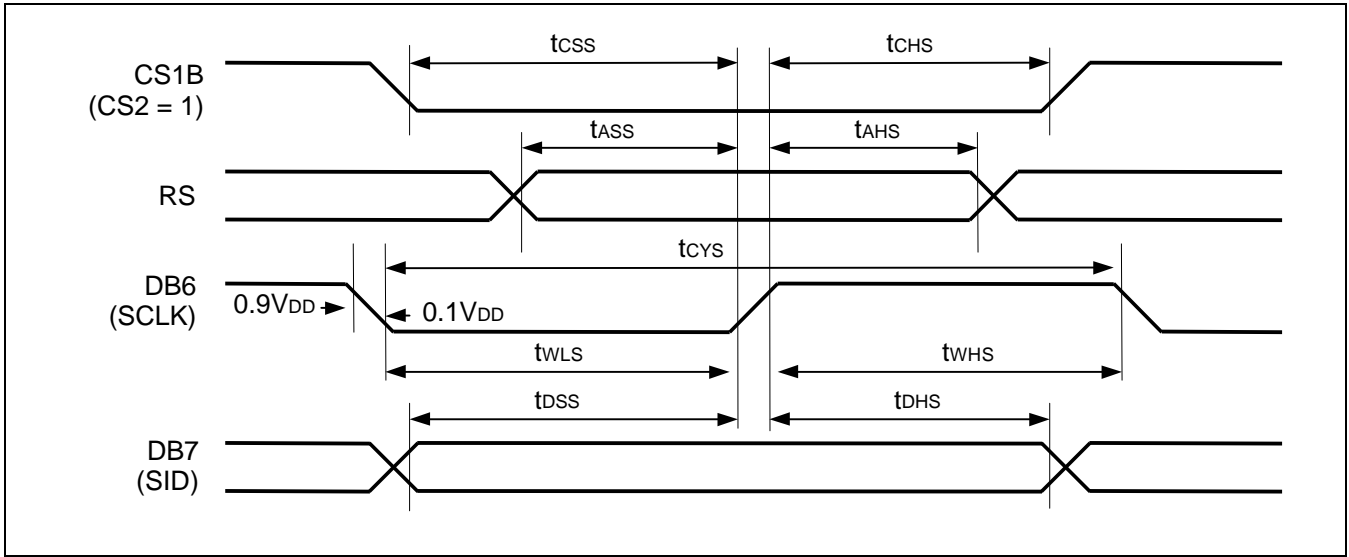
6.3 Interface Timing Chart



Read / Write Characteristics (6800-series Microprocessor)

($V_{DD} = 2.4$ to $3.6V$, $T_a = -40$ to $+85^{\circ}C$)

Item	Signal	Symbol	Min.	Typ.	Max.	Unit	Remark
Address setup time	RS	t_{AS68}	0	-	-	ns	
Address hold time		t_{AH68}	0	-	-	ns	
System cycle time	RS	t_{CY68}	300	-	-	ns	
Data setup time	DB7 to DB0	t_{DS68}	40	-	-	ns	
Data hold time		t_{DH68}	15	-	-	ns	
Access time	DB0	t_{ACC68}	-	-	140	ns	CL = 100 pF
Output disable time		t_{OD68}	10	-	100		
Enable pulse width	Read Write	$t_{PW68(R)}$ $t_{PW68(W)}$	120 60	-	-	-	



Serial Interface Characteristics

($V_{DD} = 2.4$ to $3.6V$, $T_a = -40$ to $+85^{\circ}C$)

Item	Signal	Symbol	Min.	Typ.	Max.	Unit	Remark
Serial clock cycle		t_{cYS}	250	-	-		
SCLK high pulse width	DB6 (SCLK)	t_{wHS}	100	-	-	ns	
SCLK low pulse width		t_{wLS}	100	-	-		
Address setup time	RS	t_{ASS}	150	-	-	ns	
Address hold time		t_{AHS}	150	-	-		
Data setup time	DB7 (SID)	t_{dSS}	100	-	-	ns	
Data hold time		t_{dHS}	100	-	-		
CS1B setup time	CS1B	t_{cSS}	150	-	-	ns	
CS1B hold time		t_{cHS}	150	-	-		

6.4 Instruction Code

Instruction Table

×: Don't care

Instruction	RS	RW	DB7	DB6	DB5	DB4	DB3	DB2	DB1	DB0	Description
Display ON / OFF	0	0	1	0	1	0	1	1	1	DON	Turn on/off LCD panel When DON = 0: display OFF When DON = 1: display ON
Initial display line	0	0	0	1	ST5	ST4	ST3	ST2	ST1	ST0	Specify DDRAM line for COM0
Set page address	0	0	1	0	1	1	P3	P2	P1	P0	Set page address
Set column address MSB	0	0	0	0	0	1	Y7	Y6	Y5	Y4	Set column address MSB
Set column address LSB	0	0	0	0	0	0	Y3	Y2	Y1	Y0	Set column address LSB
Read status	0	1	BUSY	ADC	ONOFF	RESETB	0	0	0	0	Read the internal status
Write display data	1	0	Write data								Write data into DDRAM
Read display data	1	1	Read data								Read data from DDRAM
ADC select	0	0	1	0	1	0	0	0	0	ADC	Select SEG output direction When ADC = 0: normal direction (SEG0→SEG131) When ADC = 1: reverse direction (SEG131→SEG0)
Reverse display ON / OFF	0	0	1	0	1	0	0	1	1	REV	Select normal / reverse display When REV = 0: normal display When REV = 1: reverse display
Entire display ON / OFF	0	0	1	0	1	0	0	1	0	EON	Select normal/entire display ON When EON = 0: normal display. When EON = 1: entire display ON
LCD bias select	0	0	1	0	1	0	0	0	1	BIAS	Select LCD bias
Set modify-read	0	0	1	1	1	0	0	0	0	0	Set modify-read mode
Reset modify-read	0	0	1	1	1	0	1	1	1	0	release modify-read mode
Reset	0	0	1	1	1	0	0	0	1	0	Initialize the internal functions
SHL select	0	0	1	1	0	0	SHL	×	×	×	Select COM output direction When SHL = 0: normal direction (COM0→COM63) When SHL = 1: reverse direction (COM63→COM0)
Power control	0	0	0	0	1	0	1	VC	VR	VF	Control power circuit operation
Regulator resistor select	0	0	0	0	1	0	0	R2	R1	R0	Select internal resistance ratio of the regulator resistor
Set reference voltage mode	0	0	1	0	0	0	0	0	0	1	Set reference voltage mode
Set reference voltage register	0	0	×	×	SV5	SV4	SV3	SV2	SV1	SV0	Set reference voltage register
Set static indicator mode	0	0	1	0	1	0	1	1	0	SM	Set static indicator mode
Set static indicator register	0	0	×	×	×	×	×	×	S1	S0	Set static indicator register
Power save	-	-	-	-	-	-	-	-	-	-	Compound Instruction of display OFF and entire display ON

7 Optical Characteristics

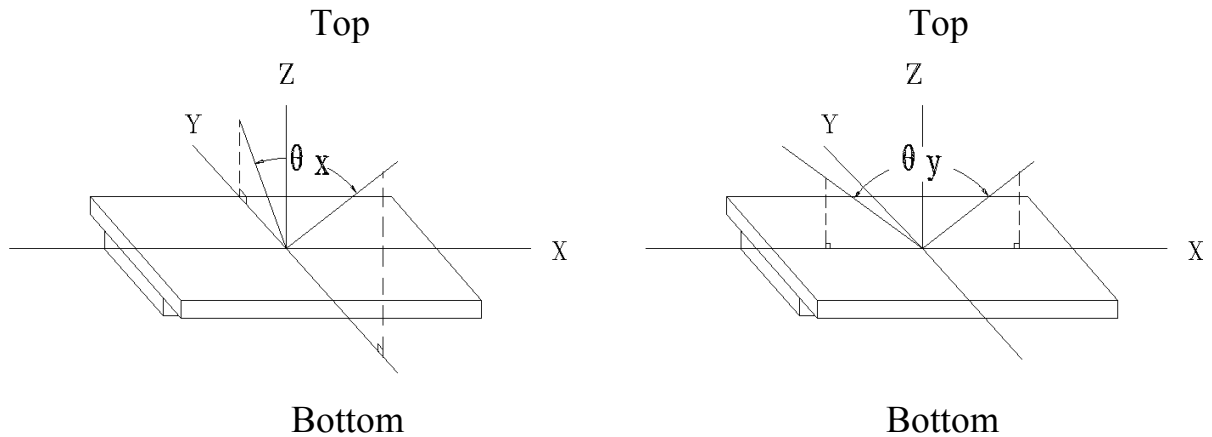
7.1 Optical Characteristics

Ta=25°C

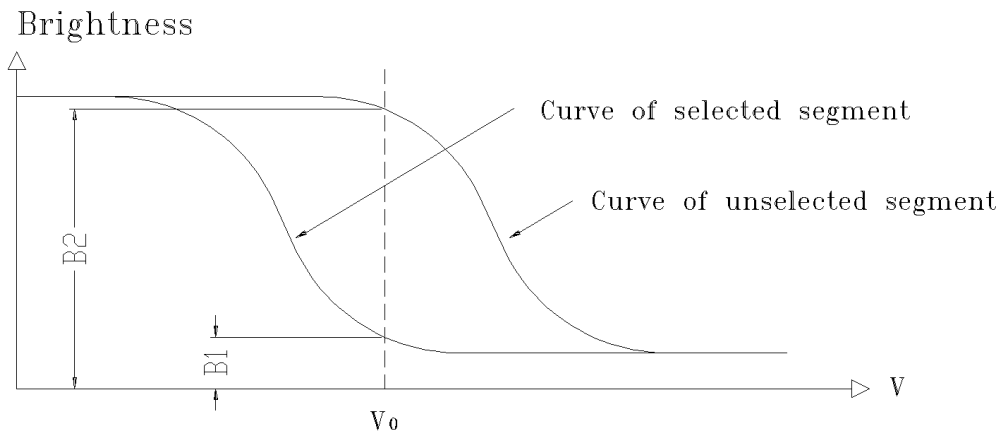
Item	Symbol	Condition	Min.	Typ.	Max.	Unit
Viewing Angle	θ_x	$C_r \geq 2$			-30 -- 20	Deg
	θ_y					
Contrast Ratio	C_r	$\theta_x = 0^\circ$ $\theta_y = 0^\circ$	3	-	-	
Response Time	Turn on	T_{on}	$\theta_x = 0^\circ$ $\theta_y = 0^\circ$		-	300
	Turn off	T_{off}				

7.2 Definition of Optical Characteristics

7.2.1 Definition of Viewing Angle



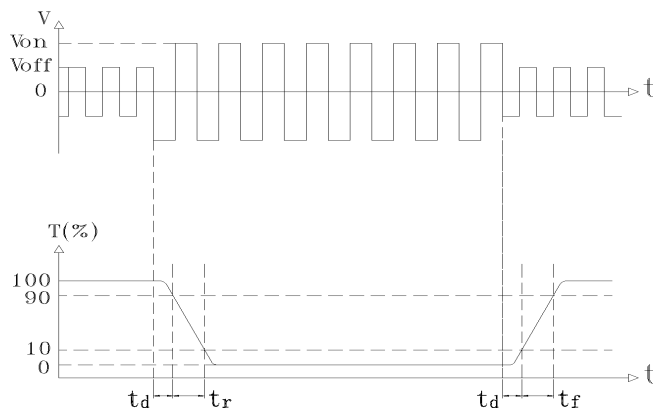
7.2.2 Definition of Contrast Ratio



$$\text{Contrast Ratio} = B2/B1 = \frac{\text{unselected state brightness}}{\text{selected state brightness}}$$

Measuring Conditions:

- 1) Ambient Temperature: 25°C 2) Frame frequency: 84.0Hz



7.2.3 Definition of Response time

Turn on time: $t_{on} = t_d + t_r$

Turn off time: $t_{off} = t_d + t_f$

Measuring Condition:

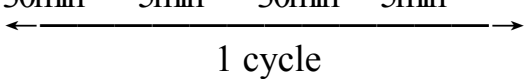
- 1) Operating Voltage: 9.5V

- 2) Frame frequency: 84.0Hz

8 Reliability

8.1 Content of Reliability Test

Ta=25°C

No.	Test Item	Content of Test	Test condition
1	High Temperature Storage	Endurance test applying the high storage temperature for a long time	80°C 240H
2	Low Temperature Storage	Endurance test applying the low storage temperature for a long time	-30°C 240H
3	High Temperature Operation	Endurance test applying the electric stress (voltage & current) and the thermal stress to the element for a long time	70°C 240H
4	Low Temperature Operation	Endurance test applying the electric stress under low temperature for a long time	-20°C 240H
5	High Temperature /Humidity Storage	Endurance test applying the high temperature and high humidity storage for a long time	60°C 95%RH 240H
6	Temperature Cycle	Endurance test applying the low and high temperature cycle $-30^{\circ}\text{C} \longleftrightarrow 25^{\circ}\text{C} \longleftrightarrow 80^{\circ}\text{C} \longleftrightarrow 25^{\circ}\text{C}$ $30\text{min} \quad 5\text{min} \quad 30\text{min} \quad 5\text{min}$ 	-30°C/80°C 10 cycles
7	Vibration Test (package state)	Endurance test applying the vibration during transportation	10Hz~500Hz, 100m/s ² , 120min
8	Shock Test (package state)	Endurance test applying the shock during transportation	Half- sine wave, 300m/s ² , 18ms
9	Atmospheric Pressure Test	Endurance test applying the atmospheric pressure during transportation by air	25kPa 16H

8.2 Failure Judgment Criterion

Criterion Item	Test Item No.									Failure Judgement Criterion
	1	2	3	4	5	6	7	8	9	
Basic Specification	√	√	√	√	√	√	√	√	√	Out of the basic Specification
Electrical specification	√	√	√	√	√					Out of the electrical specification
Mechanical Specification							√	√		Out of the mechanical specification
Optical Characteristic	√	√	√	√	√	√			√	Out of the optical specification
Note	For test item refer to 8.1									
Remark	Basic specification = Optical specification + Mechanical specification									

9 QUALITY LEVEL

Examination or Test	At $T_{amb}=25^{\circ}\text{C}$ (unless otherwise stated)	Inspection				
		Min.	Max.	Unit	IL	AQL
External Visual Inspection	Under normal illumination and eyesight condition, the distance between eyes and LCD is 25cm.	See annex A			II	Major 1.0 Minor 2.5
Display Defects	Under normal illumination and eyesight condition, display on inspection.	See annex B			II	Major 1.0 Minor 2.5
Note: Major defects: Open segment or common, Short, Serious damages, Leakage Miner defects: Others Sampling standard conforms to GB2828						

10 Precautions for Use of LCD Modules

10.1 Handling Precautions

10.1.1 The display panel is made of glass. Do not subject it to a mechanical shock by dropping it from a high place, etc.

10.1.2 If the display panel is damaged and the liquid crystal substance inside it leaks out, be sure not to get any in your mouth, if the substance comes into contact with your skin or clothes, promptly wash it off using soap and water.

10.1.3 Do not apply excessive force to the display surface or the adjoining areas since this may cause the color tone to vary.

10.1.4 The polarizer covering the display surface of the LCD module is soft and easily scratched. Handle this polarizer carefully.

10.1.5 If the display surface is contaminated, breathe on the surface and gently wipe it with a soft dry cloth. If still not completely clear, moisten cloth with one of the following solvents:

- Isopropyl alcohol
- Ethyl alcohol

Solvents other than those mentioned above may damage the polarizer. Especially, do not use the following:

- Water
- Ketone
- Aromatic solvents

10.1.6 Do not attempt to disassemble the LCD Module.

10.1.7 If the logic circuit power is off, do not apply the input signals.

10.1.8 To prevent destruction of the elements by static electricity, be careful to maintain an optimum work environment.

- a. Be sure to ground the body when handling the LCD Modules.
- b. Tools required for assembly, such as soldering irons, must be properly ground.
- c. To reduce the amount of static electricity generated, do not conduct assembly and other work under dry conditions.
- d. The LCD Module is coated with a film to protect the display surface. Be care when peeling off this protective film since static electricity may be generated.

10.2 Storage precautions

10.2.1 When storing the LCD modules, avoid exposure to direct sunlight or to the light of fluorescent lamps.

10.2.2 The LCD modules should be stored under the storage temperature range.

If the LCD modules will be stored for a long time, the recommend condition is:

Temperature : $0^{\circ}\text{C} \sim 40^{\circ}\text{C}$

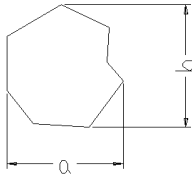
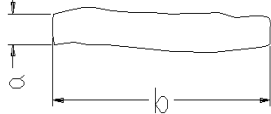
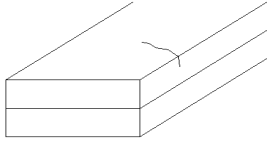
Relatively humidity: $\leq 80\%$

10.2.3 The LCD modules should be stored in the room without acid, alkali and harmful gas.

10.3 The LCD modules should be no falling and violent shocking during transportation, and also should avoid excessive press, water, damp and sunshine.

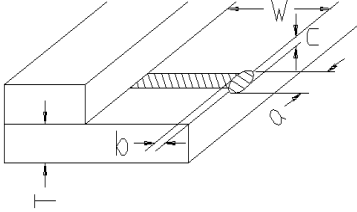
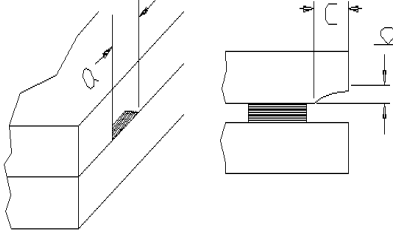
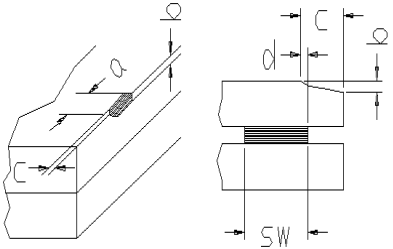
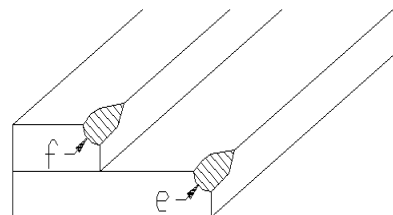
Appendix A

Inspection items and criteria for appearance defects

Items	Contents	Criteria		
Protective Glue		No clear defects		
Cover Tape		Covering all of the chip and no clear crimple		
Leakage		Not permitted		
Rainbow		According to the limit specimen		
Polarizer	Wrong polarizer attachment	Not permitted		
	Bubble between polarizer and glass	Not counted	Max. 3 defects allowed	
		$\phi < 0.3\text{mm}$	$0.3\text{mm} \leq \phi \leq 0.5\text{mm}$	
	Scratches of polarizer	According to the limit specimen		
Black spot (in viewing area)		Not counted	Max. 3 spots allowed	Max. 3 spots (lines) allowed
		$X < 0.20\text{mm}$	$0.20\text{mm} \leq X \leq 0.5\text{mm}$	
		$X = (a+b)/2$		
Black line (in viewing area)		Not counted	Max. 3 lines allowed	Max. 3 spots (lines) allowed
		$a < 0.02\text{mm}$	$0.02\text{mm} \leq a \leq 0.05\text{mm}$ $b \leq 2.0\text{mm}$	
Progressive cracks		Not permitted		

Appendix A

Inspection item and criteria for appearance defects (continued)

Items	Contents	Criteria				
Glass Cracks	<p>Cracks on pads</p> 	a	b	c	Max. 2 Cracks allowed	Max. 5 cracks allowed
	$\leq 3\text{mm}$	$\leq W/5$	$\leq T/2$			
	$\leq 2\text{mm}$	$\leq W/5$	$T/2 < C < T$			
	<p>Cracks on contact side</p> 	a	b	Max. 2 cracks allowed		
	$\leq 3\text{mm}$	$\leq T/2$				
	$\leq 2\text{mm}$	$T/2 < b < T$				
	C shall be not reach the seal area					
	<p>Cracks on non-contact side</p> 	a	b	Max. 2 cracks allowed		
	$\leq 3\text{mm}$	$\leq T/2$				
	$\leq 2\text{mm}$	$T/2 < b < T$				
$C \leq 0.5\text{mm}$						
$d \leq SW/3$						
<p>Corner cracks</p> 	$e < 2.0\text{mm}^2$		Max. 3 cracks allowed			
$f < 2.0\text{mm}^2$						

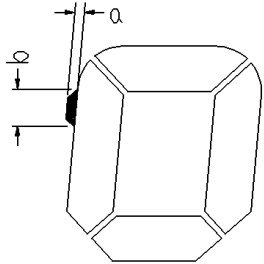
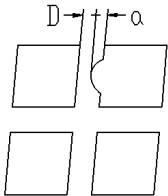
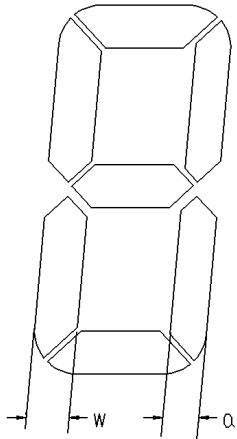
Appendix B

Inspection items and criteria for display defects

Items	Contents	Criteria			
Open segment or open common		Not permitted			
Short		Not permitted			
Wrong viewing angle		Not permitted			
Contrast ratio uneven		According to the limit specimen			
Crosstalk		According to the limit specimen			
Pin holes and cracks in segment (DOT)		Not counted	Max.3 dots allowed		Max.3 dots allowed
		$X < 0.1\text{mm}$	$0.1\text{mm} \leq X \leq 0.2\text{mm}$		
		$X = (a+b)/2$			
		Not counted	Max.2 dots allowed		
$A < 0.1\text{mm}$		$0.1\text{mm} \leq A \leq 0.2\text{mm}$ $D < 0.25\text{mm}$			
Black spot (in viewing area)		Not counted	Max.3 spots allowed		Max.3 spots (lines) allowed
		$X < 0.1\text{mm}$	$0.1\text{mm} \leq X \leq 0.2\text{mm}$		
		$X = (a+b)/2$			
Black line (in viewing area)		Not counted	Max.3 lines allowed		
		$a < 0.02\text{mm}$	$0.02\text{mm} \leq a \leq 0.05\text{mm}$ $b \leq 0.5\text{mm}$		

Appendix B

Inspection items and criteria for display defects (continued)

Items	Content	Criteria		
Transformation of segment		Not counted	Max. 2 defects allowed	Max.3 defects allowed
		$x < 0.1\text{mm}$	$0.1\text{mm} \leq x \leq 0.2\text{mm}$	
		$x = (a+b)/2$		
		Not counted	Max. 1 defects allowed	
		$a < 0.1\text{mm}$	$0.1\text{mm} \leq a \leq 0.2\text{mm}$ $D > 0$	
		Max.2 defects allowed $0.8W \leq a \leq 1.2W$ $a = \text{measured value of width}$ $W = \text{nominal value of width}$		