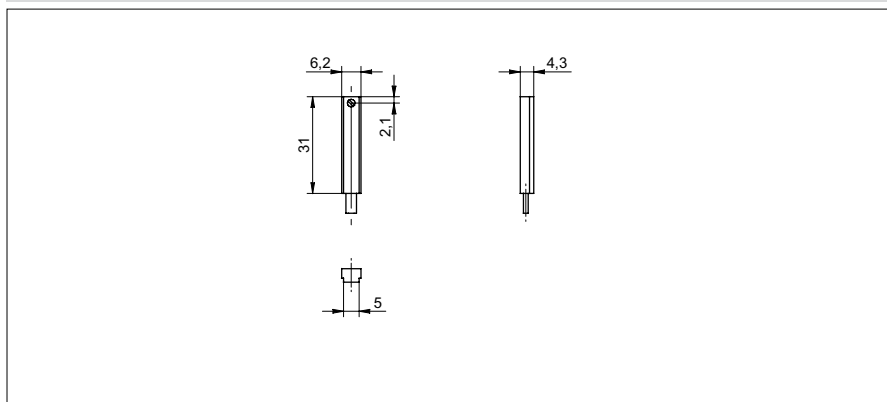


Magnetic cylinder sensors

MZTK 06 (T-slots, axial)

sample drawing



general data

type	magneto-resistive
version	T-slots
nominal operation point	4 mT
difference ON-OFF	0,5 ... 1,5 mT
output indicator	LED yellow

electrical data

switching frequency	< 200 kHz
response time / release time	< 0,0025 ms
output current	< 200 mA
voltage supply range +Vs	5 ... 30 VDC
output function	normally open (NO)
voltage drop Vd	< 1 VDC
reverse polarity protection	yes

mechanical data

cable output	axial
depth	31 mm
width / diameter	6,2 mm
height / length	4,3 mm
housing material	PA, AISI 303, OT63

ambient conditions

operating temperature	-10 ... +70 °C
protection class	IP 67

order reference

output circuit

connection types

MZTK 06N1001	NPN	cable 3 pin, 2,5 m
MZTK 06N1001/KS35D	NPN	flylead connector M8 3 pin, L=300 mm
MZTK 06P1001	PNP	cable 3 pin, 2,5 m
MZTK 06P1001/KS35D	PNP	flylead connector M8 3 pin, L=300 mm

sample picture

