

SERIES MS SWITCHES

SNAP ACTION SWITCHES - MINIATURE



SPECIFICATIONS

| | |
|------------------------|---|
| Contact Rating: | Gold .4VA max. @ 20 VDC or VAC Max. 5 Amps @ 125/250 VAC-UL, CUL |
| Life Expectancy: | 50,000 cycles minimum |
| Mechanical Life: | 1,000,000 cycles typical |
| Insulation Resistance: | 100 MΩ min. |
| Dielectric Strength: | 1,000 VAC for 60 seconds |
| Operating Temperature: | -25° C to 85° C (std) |
| Operating Force: | See Chart |

MATERIALS

| | |
|------------------|---------------------------------|
| Switch Housing: | High Temperature PBT (UL94 V-0) |
| Actuator Button: | High Temperature PBT (UL94 V-0) |
| Contacts: | Silver (std) or Gold |
| Terminals: | Copper Alloy |

FEATURES & BENEFITS

- ▶ Available in gold & 5 amp versions
- ▶ Wide variety of actuator, operating force & termination options

APPLICATIONS/MARKETS

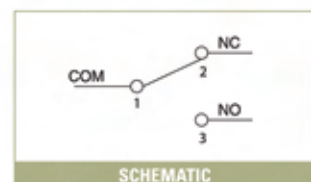
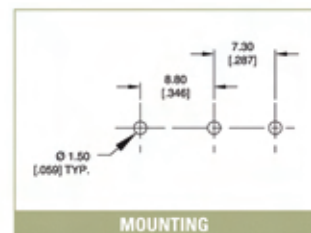
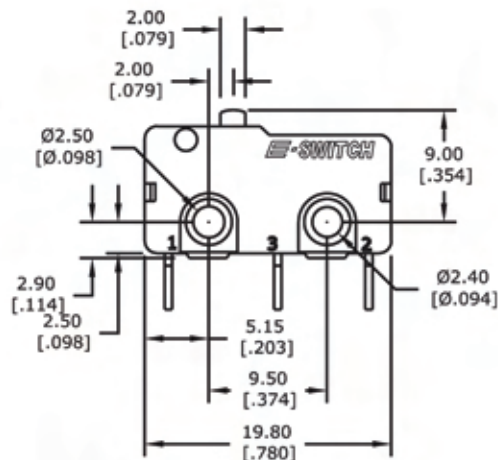
- ▶ Appliance
- ▶ Timing controls
- ▶ Vending machines
- ▶ Gaming
- ▶ Industrial controls
- ▶ Power tools

HOW TO ORDER

| SERIES | OPERATING TEMP. | CURRENT RATING | ACTUATOR | OPERATING FORCE | TERMINATION | CIRCUIT |
|--------|-----------------|----------------------|-----------|-----------------|---|-------------------------|
| MS | 085 = 85C | R1 = Gold 05 = 5A | See Chart | See Chart | S1 = Solder Lug C1 = 0.110" Quick Connect P1 = PCB Pin V1 = Right Angle PCB Pin V2 = Left Angle PCB Pin | A = SPDT C = SPST NO |

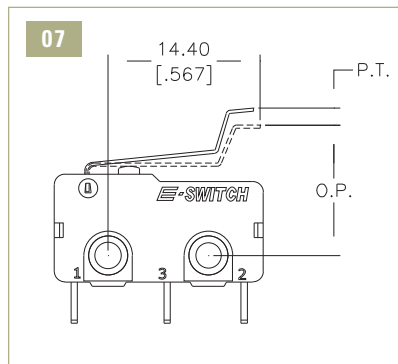
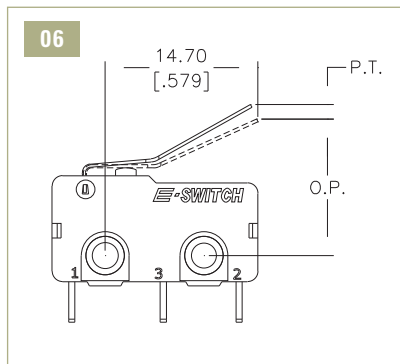
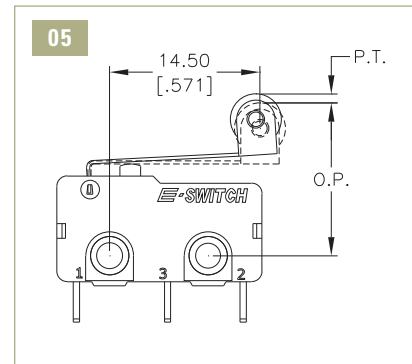
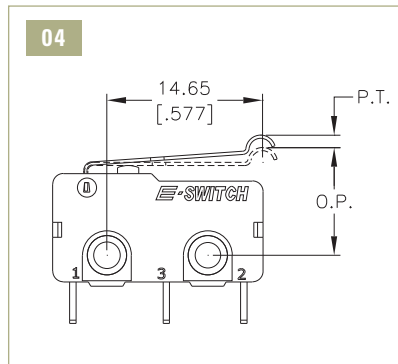
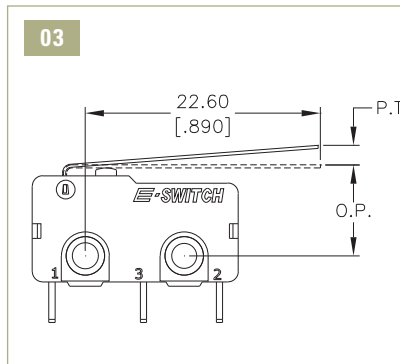
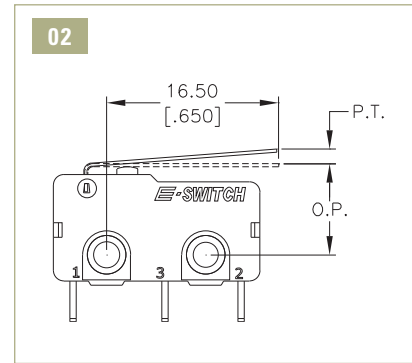
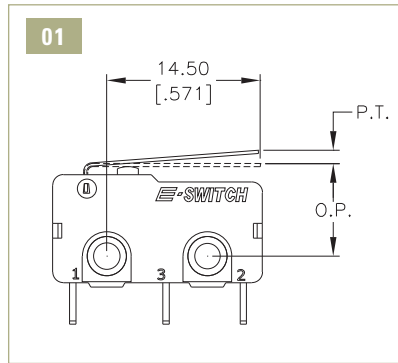
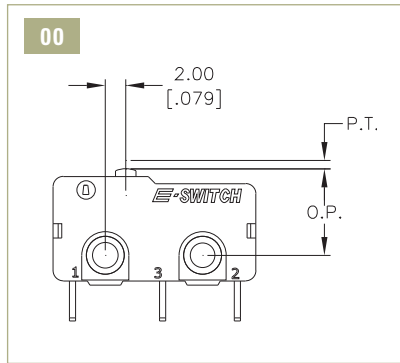
▶ ▶ ▶ **Example Ordering Number**
MS-085-R1-00-F130-S1-A

Specifications subject to change without notice.





ACTUATOR OPTIONS



TACT SWITCHES

NAVIGATION SWITCHES

PUSHBUTTON SWITCHES

TOGGLE SWITCHES

ROCKER SWITCHES

SLIDE SWITCHES

SNAP-ACTION SWITCHES

DIP SWITCHES

KEYLOCK SWITCHES

ROTARY SWITCHES

DETECTOR SWITCHES

CAP OPTIONS

| Actuator | ACTUATOR AND OPERATING FORCE CHART | | | | | | | | | |
|----------|------------------------------------|---------|---------|----------|----------|----------|----------|----------|----------|----------|
| | Actuation/Return Force | | | | | | | | | |
| 00 | 60+/-25 | 80+/-25 | 95+/-30 | 115+/-40 | 130+/-40 | 150+/-40 | 175+/-45 | 190+/-45 | 250+/-50 | 295+/-55 |
| 01 | 20+/-8 | 25+/-12 | 30+/-12 | 35+/-20 | 40+/-20 | 45+/-20 | 50+/-20 | 55+/-25 | 70+/-25 | 85+/-30 |
| 02 | 15+/-6 | 20+/-8 | 25+/-12 | 30+/-12 | 35+/-20 | 40+/-20 | 45+/-20 | 50+/-20 | 65+/-25 | 75+/-25 |
| 03 | 10+/-5 | 15+/-6 | 20+/-8 | 25+/-12 | 30+/-12 | 35+/-20 | 40+/-20 | 55+/-25 | 60+/-25 | --- |
| 04 | 15+/-6 | 20+/-8 | 25+/-12 | 30+/-12 | 35+/-20 | 40+/-20 | 45+/-20 | 50+/-20 | 65+/-25 | 75+/-25 |
| 05 | 15+/-6 | 20+/-8 | 25+/-12 | 30+/-12 | 35+/-20 | 40+/-20 | 45+/-20 | 50+/-20 | 65+/-25 | 75+/-25 |
| 06 | 15+/-6 | 20+/-8 | 25+/-12 | 30+/-12 | 35+/-20 | 40+/-20 | 45+/-20 | 50+/-20 | 65+/-25 | 75+/-25 |
| 07 | 15+/-6 | 20+/-8 | 25+/-12 | 30+/-12 | 35+/-20 | 40+/-20 | 45+/-20 | 50+/-20 | 65+/-25 | 75+/-25 |

| Actuator | Pre-Travel | Operating Position |
|----------|------------|--------------------|
| 00 | 1.1 max | 8.5+/-0.3 |
| 01 | 3.6 max | 9.1+/-0.8 |
| 02 | 3.8 max | 9.1+/-0.8 |
| 03 | 4.4 max | 9.5+/-0.8 |
| 04 | 3.2 max | 10.9+/-1.0 |
| 05 | 4.0 max | 14.9+/-1.0 |
| 06 | 4.1 max | 13.9+/-1.5 |
| 07 | 5.0 max | 12.5+/-1.5 |

PT= Pretravel OP= Operating Point OT= Over Travel



SERIES MS SWITCHES

SNAP ACTION SWITCHES - MINIATURE

TACT SWITCHES

NAVIGATION SWITCHES

PUSHBUTTON SWITCHES

TOGGLE SWITCHES

ROCKER SWITCHES

SLIDE SWITCHES

SNAP-ACTION SWITCHES

DIP SWITCHES

KEYLOCK SWITCHES

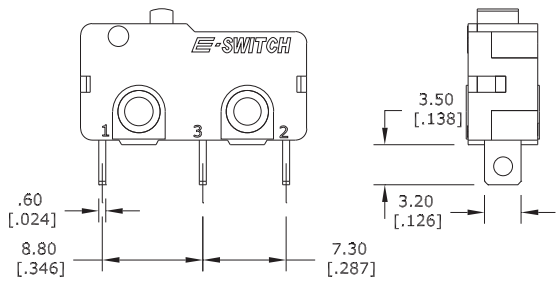
ROTARY SWITCHES

DETECTOR SWITCHES

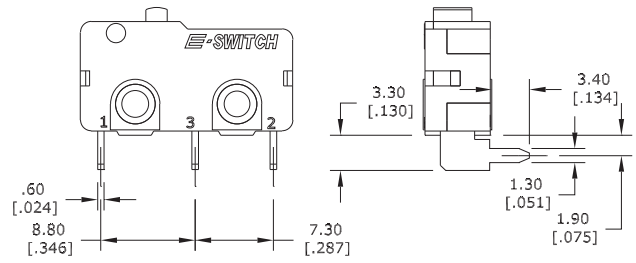
CAP OPTIONS

TERMINATION OPTIONS

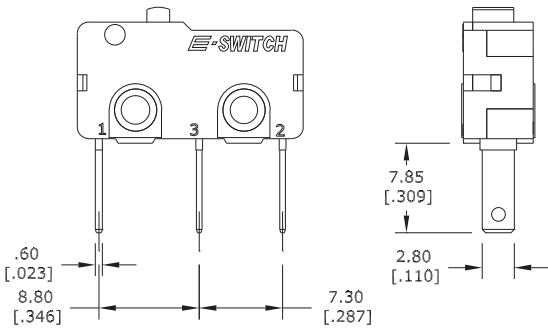
S1 SOLDER LUG



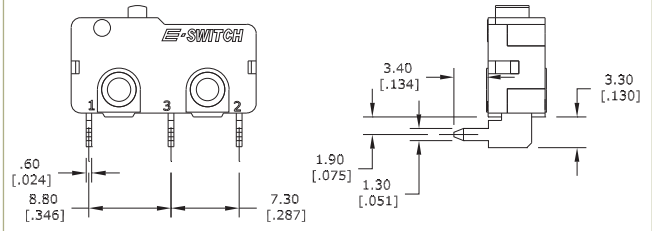
V1 RIGHT ANGLE PCB PIN



C1 0.110" QUICK CONNECT



V2 LEFT ANGLE PCB PIN



P1 PCB TERMINALS

