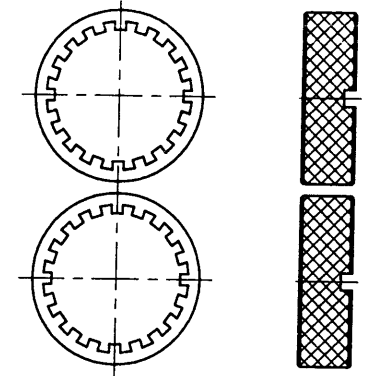
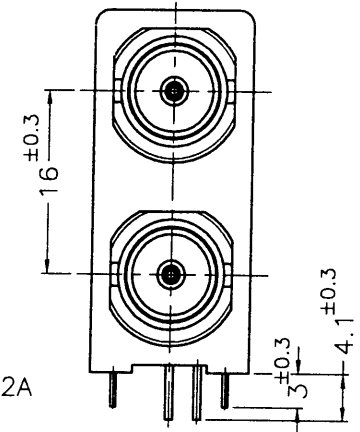
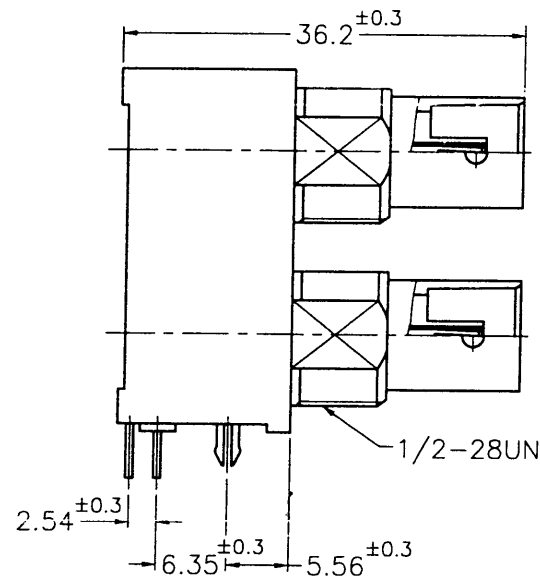
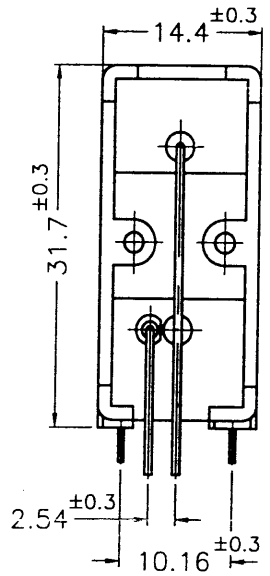
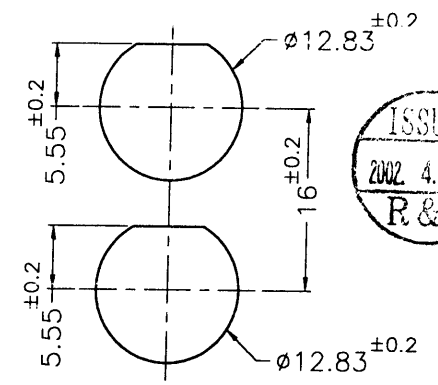
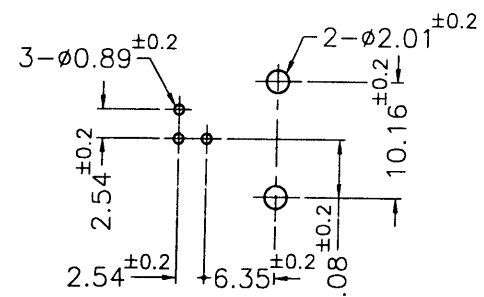


ISS		ZONE	DESCRIPTION\PER REQUEST\DATE
			DESCRIPTION\PER REQUEST\DATE

**SALES**



- NOTES: FINISH (PLATING THICKNESS IN MICRO-INCHES)
1. NICKEL PL. 100 MIN. THICK OVER COPPER STRIKE
  2. PHOSPHOR BRONZE PER QQ-B-750
  3. BRIGHT TIN PL. 80 MIN. THICK OVER COPPER PL. 100 MIN. THICK
  4. ZINC DIECAST
  5. POLYPROPYLENE UL 94HB
  6. NICKEL PL. 80 MIN. THICK OVER COPPER STRIKE
  7. BRASS PER QQ-B-626
  8. GOLD FLASH OVER COPPER STRIKE AT MATING AREA. TIN-LEAD (90/10) FLASH OVER COPPER STRIKE AT TAIL.



ISSUED  
2002. 4. 25  
R&D

NO.	DESCRIPTION	MATERIAL	FINISH	Q'TY	DRAWING NO.
	NUT	NOTE 7	NOTE 6	2	
	LOCK WASHER	S50C	NOTE 6	2	
	MOUNTING POST	NOTE 7	NOTE 3	2	
	POST	COPPER	NOTE 3	1	
	CONTACT PIN	NOTE 2	NOTE 8		
	INSULATOR	NOTE 5	NATURAL		
	BODY	NOTE 4	NOTE 1	1	

DIMENSIONS ARE IN MILLIMETERS			PART NO.	
UNLESS OTHERWISE SPECIFIED TOLERANCES			APPROVED	DATE
0.5-6	= ±0.2		<i>[Signature]</i>	04-24-02'
6-30	= ±0.4		CHECKED	DATE
30-120	= ±0.6		<i>[Signature]</i>	04-24-02'
120-315	= ±1		DRAWN	DATE
315-1000	= ±1.6		<i>[Signature]</i>	04-24-02'
1000-2000	= ±2.4			
SCALE	1.5/1	ISSUE	A	FILE NO. F:\DWG\B\705001\75\NPB3G

Amphenol - Kai Jack	
TAINAN TAIWAN	
TITLE	DUAL PORT BNC PCB MOUNT RECEPTACLE HOOK
DRAWING NO.	KJ-B705001-NPB3G-75
ITEM NO.	017050AAC00MA7F

7RD-DR 102578