

## “EZJZ\*V series” To Suppress ESD and Protect from malfunction and/or breakdown

### ■ Appearance



0603, 1005, 1608      1410 2Array type

### ■ Features

Large electrostatic strength

: Contact discharge 8kV

(IEC61000-4-2(HBM), Level 4)

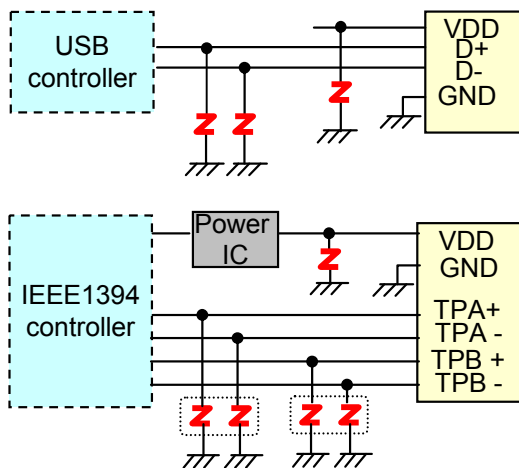
Excellent ESD suppression

: ESD 8kV: Suppressed to be under 200V

### ■ Appearance

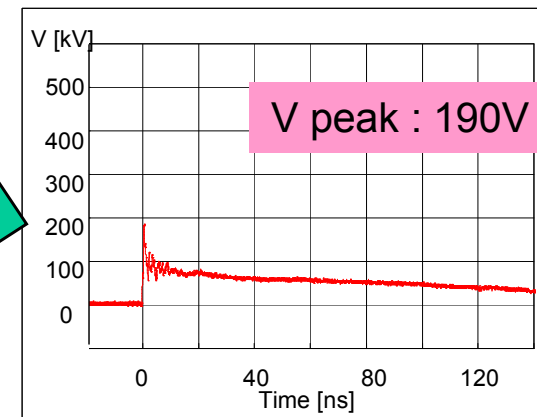
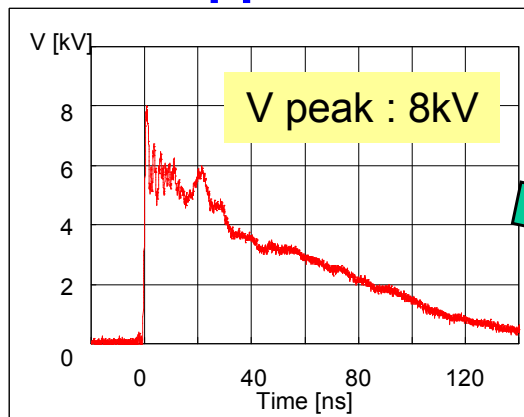
Interface(USB/IEEE1394/etc),

Signal line of Key board etc



### ■ ESD suppression

Test Method : IEC61000-4-2 HBM : 8000V



**ESD 8KV is suppressed to be under 200V**

### ■ Specification

	1M	10M	100M	1G	10G	Mbps
	Law Capacitance type (20~330pF)			Ultra Low Capacitance type (1.5~3.0pF)		

	Law Capacitance type			Ultra Low Capacitance type		
	P/N	Varistor Vol. @ 1mA	Capacitance max. @ 1MHz	P/N	Varistor Vol. @ 1mA	Capacitance max. @ 1MHz
0603	EZJZV120EA	12V	47pF	EZJZV800AA	80V	3pF
	EZJZV270RA	27V	20pF			
1005	EZJZ0V120JA	12V	220pF	EZJZ0V500AA	50V	3pF
	EZJZ0V270EA	27V	47pF	EZJZ0V80015D	80V	1.5±0.5pF
	EZJZ0V270RA	27V	20pF	EZJZ0V800AA	80V	3pF
				EZJZ0V171AA	170V	3pF
1608	EZJZ1V120KA	12V	330pF	EZJZ1V500AA	50V	3pF
	EZJZ1V270GA	27V	100pF	EZJZ1V800AA	80V	3pF
	EZJZ1V330GA	33V	100pF	EZJZ1V171AA	170V	3pF
1410 2filters	EZJZSV120KA	12V	330pF	EZJZSV800AA	80V	3pF
	EZJZSV270EA	27V	47pF	EZJZSV171AA	170V	3pF
	EZJZSV270RA	27V	20pF			
	EZJZSV	27V	27~47pF			
	270 * AK/M		+/-10 / 20%			