



Micro Commercial Components



Micro Commercial Components
 20736 Marilla Street Chatsworth
 CA 91311
 Phone: (818) 701-4933
 Fax: (818) 701-4939

DTC113ZCA

Features

- Lead Free Finish/RoHS Compliant ("P" Suffix designates RoHS Compliant. See ordering information)
- Epitaxial Planar Die Construction
- Complementary NPN Types Available
- Built-In Biasing Resistors
- Epoxy meets UL 94 V-0 flammability rating
- Moisture Sensitivity Level 1
- Marking: E21

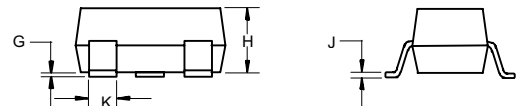
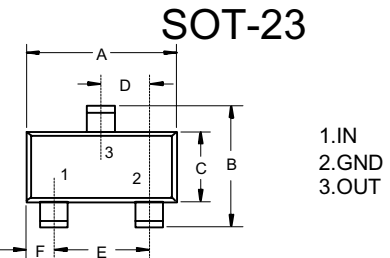
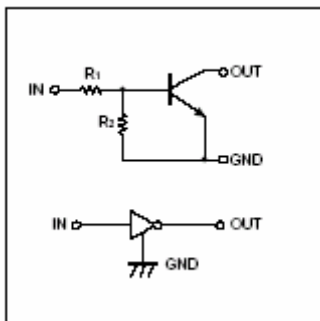
Absolute maximum ratings @ 25°C

| Symbol | Parameter | Min | Typ | Max | Unit |
|-----------|----------------------|-----|-----|-----|------|
| I_C | Collector current | --- | 100 | --- | mA |
| V_{IN} | Input voltage | -5 | --- | +10 | V |
| P_d | Power dissipation | --- | 200 | --- | mW |
| T_j | Junction temperature | --- | 150 | --- | °C |
| T_{stg} | Storage temperature | -55 | --- | 150 | °C |

Electrical Characteristics @ 25°C

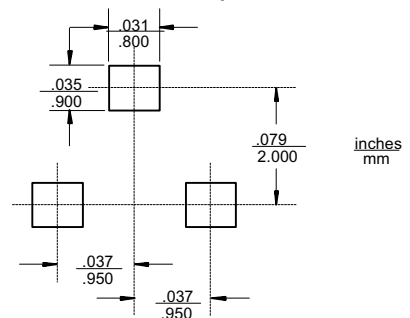
| Symbol | Parameter | Min | Typ | Max | Unit |
|--------------|--|-----|-----|-----|------------|
| $V_{I(off)}$ | Input voltage ($V_{CC}=5V, I_O=100 \mu A$) | --- | --- | 0.3 | V |
| $V_{I(on)}$ | Input voltage ($V_O=0.3V, I_O=20mA$) | 3.0 | --- | --- | V |
| $V_{O(on)}$ | Output voltage ($I_O=10mA, I_I=0.5mA$) | --- | --- | 0.3 | V |
| I_I | Input current ($V_I=5V$) | --- | --- | 7.2 | mA |
| $I_{O(off)}$ | Output current ($V_{CC}=50V, V_I=0$) | --- | --- | 0.5 | μA |
| G_1 | DC current gain ($V_O=5V, I_O=5mA$) | 33 | --- | --- | |
| R_1 | Input resistance | 0.7 | 1.0 | 1.3 | K Ω |
| R_2/R_1 | Resistance ratio | 8 | 10 | 12 | |
| f_T | Transition frequency ($V_{CE}=10V, I_E=5mA, f=100MHz$) | --- | 250 | --- | MHz |

Equivalent circuit



| DIM | INCHES | | MM | | NOTE |
|-----|--------|-------|------|------|------|
| | MIN | MAX | MIN | MAX | |
| A | .110 | .120 | 2.80 | 3.04 | |
| B | .083 | .098 | 2.10 | 2.64 | |
| C | .047 | .055 | 1.20 | 1.40 | |
| D | .035 | .041 | .89 | 1.03 | |
| E | .070 | .081 | 1.78 | 2.05 | |
| F | .018 | .024 | .45 | .60 | |
| G | .0005 | .0039 | .013 | .100 | |
| H | .035 | .044 | .89 | 1.12 | |
| J | .003 | .007 | .085 | .180 | |
| K | .015 | .020 | .37 | .51 | |

Suggested Solder Pad Layout



Typical Characteristics

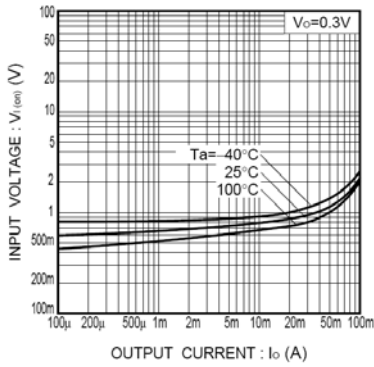


Fig.1 Input voltage vs. output current (ON characteristics)

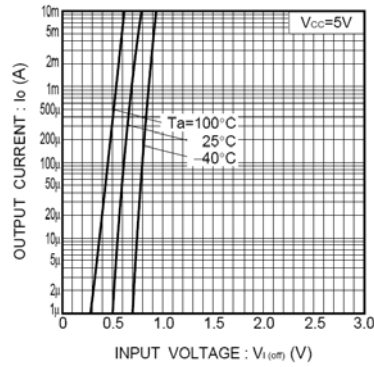


Fig.2 Output current vs. input voltage (OFF characteristics)

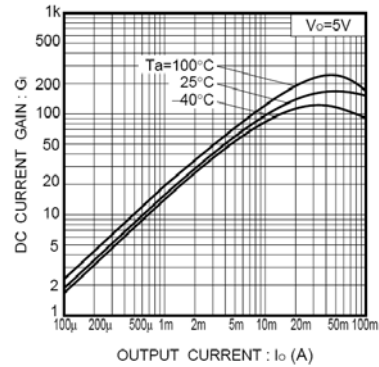


Fig.3 DC current gain vs. output current

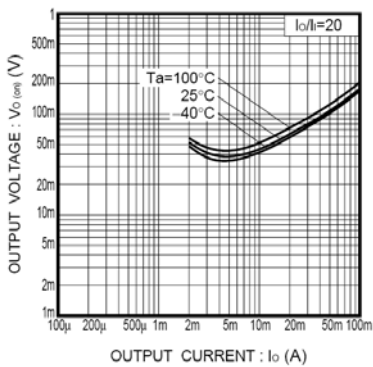


Fig.4 Output voltage vs. output current



TM

Micro Commercial Components

Ordering Information :

| Device | Packing |
|----------------|-----------------------|
| Part Number-TP | Tape&Reel; 3Kpcs/Reel |

IMPORTANT NOTICE

Micro Commercial Components Corp. reserves the right to make changes without further notice to any product herein to make corrections, modifications, enhancements, improvements, or other changes. **Micro Commercial Components Corp.** does not assume any liability arising out of the application or use of any product described herein; neither does it convey any license under its patent rights, nor the rights of others. The user of products in such applications shall assume all risks of such use and will agree to hold **Micro Commercial Components Corp.** and all the companies whose products are represented on our website, harmless against all damages.

LIFE SUPPORT

MCC's products are not authorized for use as critical components in life support devices or systems without the express written approval of Micro Commercial Components Corporation.

CUSTOMER AWARENESS

Counterfeiting of semiconductor parts is a growing problem in the industry. Micro Commercial Components (MCC) is taking strong measures to protect ourselves and our customers from the proliferation of counterfeit parts. MCC strongly encourages customers to purchase MCC parts either directly from MCC or from Authorized MCC Distributors who are listed by country on our web page cited below. Products customers buy either from MCC directly or from Authorized MCC Distributors are genuine parts, have full traceability, meet MCC's quality standards for handling and storage. **MCC will not provide any warranty coverage or other assistance for parts bought from Unauthorized Sources.** MCC is committed to combat this global problem and encourage our customers to do their part in stopping this practice by buying direct or from authorized distributors.

www.mccsemi.com