

High Voltage 4-Ω Quad SPST CMOS Analog Switch

DESCRIPTION

The DG454 series has four independently selectable high voltage (44 V) SPST switches, each with a typical on resistance of 4 Ω and a typical flatness of 0.2 Ω, ideal parameters for low distortion audio signal switching.

The DG454 (NC) and DG455 (NO) are identical except for the digital logic control input, which is inverted as shown in the Truth Table. The DG456 has two normally closed and two normally open switches.

These are high voltage switches that are fully specified with dual supplies at ± 5 V and ± 15 V and a single supply of 12 V.

Fast switching speeds coupled with high signal bandwidth makes these parts suitable for video switching applications.

All digital inputs have 0.8 V and 2.4 V logic thresholds ensuring low voltage TTL/CMOS compatibility. Each switch conducts equally well in both directions when on and can handle an input signal range that extends to the supply voltage rails.

The DG454 DG455 and DG456 are pin compatible with the DG411, DG412 and DG413, except they require no V_L supply.

FEATURES

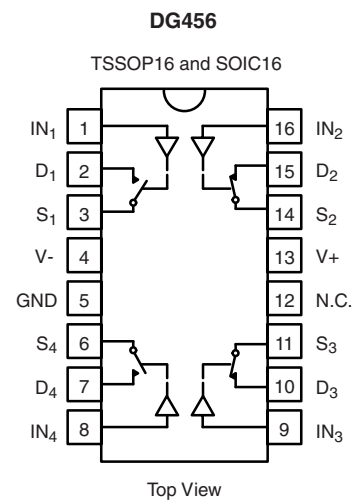
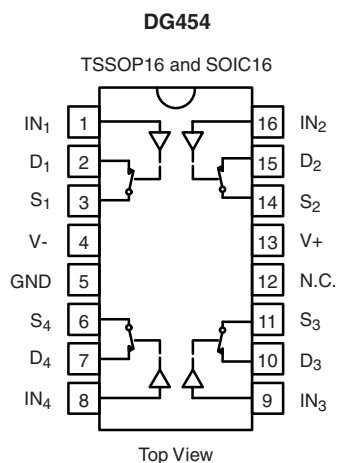
- Low on-resistance (4 Ω typical)
- On-resistance flatness (0.2 Ω typical)
- 100 mA continuous current
- 44 V supply maximum rating
- ± 15 V analog signal range
- Fully specified at supply voltages of ± 5 V, 12 V and ± 15 V
- No V_L required
- Fast switching speed:
 - t_{on} 80 ns
 - t_{off} 60 ns
- TTL/CMOS compatible
- ESD protection 2 kV
- Pin compatible with DG411, DG412, and DG413, except no V_L required
- **Compliant to RoHS directive 2002/95/EC**


RoHS
COMPLIANT

APPLICATIONS

- Audio and video signal switching
- Precision automatic test equipment
- Precision data acquisition
- Relay replacement
- Communications systems
- Automotive and avionics applications
- Sample and hold systems

FUNCTIONAL BLOCK DIAGRAM AND PIN CONFIGURATION



TRUTH TABLE		
Logic	DG454	DG455
0	On	Off
1	Off	On

TRUTH TABLE		
Logic	SW ₁ , SW ₄	SW ₂ , SW ₃
0	Off	On
1	On	Off

ORDERING INFORMATION		
Temp. Range	Package	Part Number
DG454, DG455, DG456		
- 40 °C to 125 °C ^a	16 Pin TSSOP	DG454EQ-T1-E3 DG455EQ-T1-E3 DG456EQ-T1-E3
	16 Pin Narrow SOIC	DG454EY-T1-E3 DG455EY-T1-E3 DG456EY-T1-E3

Notes:

a. - 40 °C to 85 °C datasheet limits apply.

ABSOLUTE MAXIMUM RATINGS $T_A = 25\text{ °C}$, unless otherwise noted			
Parameter		Limit	Unit
V+ to V-		44	V
GND to V-		25	
Digital Inputs ^a , V _S , V _D		(V-) - 2 to (V+) + 2 or 30 mA, whichever occurs first	
Continuous Current (D, S only)		100	mA
Peak Current, S or D (Pulsed 1 ms, 10 % Duty Cycle)		300	
Storage Temperature		- 65 to 150	°C
Power Dissipation (Package) ^b	16 Pin TSSOP ^c	450	mW
	16 Pin Narrow SOIC ^d	600	
Thermal Resistance (Package) ^b	16 Pin TSSOP	178	°C/W
	16 Pin Narrow SOIC	125	
ESD (HBM)		2	kV

Notes:

a. Signals on S_X, D_X, or I_{NX} exceeding V+ or V- will be clamped by internal diodes. Limit forward diode current to maximum current ratings.

b. All leads welded or soldered to PC board.

c. Derate 5.6 mW/°C above 70 °C.

d. Derate 8.0 mW/°C above 75 °C.

SPECIFICATIONS FOR DUAL SUPPLIES									
Parameter	Symbol	Test Conditions Unless Specified V+ = 15 V, V- = - 15 V V _{IN} = 2.4 V, 0.8 V ^a	Temp. ^b	Typ. ^c	- 40 °C to 125 °C		- 40 °C to 85 °C		Unit
					Min. ^d	Max. ^d	Min. ^d	Max. ^d	
Analog Switch									
Analog Signal Range ^e	V _{ANALOG}		Full		- 15	15	- 15	15	V
On-Resistance	R _{ON}	I _S = - 10 mA, V _D = - 10 V to + 10 V	Room Full	3.8		5.3 8.3		5.3 7.3	Ω
On-Resistance Match	ΔR _{ON}	I _S = - 10 mA, V _D = ± 10 V	Room Full	0.12		0.5 1		0.5 0.5	
On-Resistance Flatness	R _{FLATNESS}	I _S = - 10 mA, V _D = - 5 V, 0 V, + 5 V	Room Full	0.25		0.5 0.5		0.5 0.5	
Switch Off Leakage Current	I _{S(off)}	V _D = ± 10 V, V _S = ± 10 V	Room Full	± 0.1	- 0.5 - 20	0.5 20	- 0.5 - 2.5	0.5 2.5	nA
	I _{D(off)}		Room Full	± 0.1	- 0.5 - 20	0.5 20	- 0.5 - 2.5	0.5 2.5	
Channel On Leakage Current	I _{D(on)}	V _S = V _D = ± 10 V	Room Full	± 0.1	- 1 - 40	1 40	- 1 - 5	1 5	



SPECIFICATIONS FOR DUAL SUPPLIES

Parameter	Symbol	Test Conditions Unless Specified $V_+ = 15\text{ V}, V_- = -15\text{ V}$ $V_{IN} = 2.4\text{ V}, 0.8\text{ V}^a$	Temp. ^b	Typ. ^c	-40 °C to 125 °C		-40 °C to 85 °C		Unit
					Min. ^d	Max. ^d	Min. ^d	Max. ^d	
Digital Control									
Input Current, V_{IN} Low	I_{IL}	V_{IN} Under Test = 0.8 V	Full	0.005	-0.5	0.5	-0.5	0.5	μA
Input Current, V_{IN} High	I_{IH}	V_{IN} Under Test = 2.4 V	Full	0.005	-0.5	0.5	-0.5	0.5	
Input Capacitance ^e	C_{IN}	$f = 1\text{ MHz}$	Room	7					pF
Dynamic Characteristics									
Turn-On Time	t_{ON}	$R_L = 300\ \Omega, C_L = 35\text{ pF}$ $V_S = \pm 10\text{ V}$, See Figure 2	Room	88		118		118	ns
Turn-Off Time	t_{OFF}		Full	69		97		97	
Break-Before-Make Time Delay	t_D	DG456 only, $V_S = 10\text{ V}$ $R_L = 300\ \Omega, C_L = 35\text{ pF}$	Room	18					
Charge Injection ^e	Q	$V_g = 0\text{ V}, R_g = 0\ \Omega, C_L = 1\text{ nF}$	Room	22					pC
Off Isolation ^e	OIRR	$R_L = 50\ \Omega, C_L = 5\text{ pF}$ $f = 1\text{ MHz}$	Room	-60					dB
Channel-to-Channel Crosstalk ^e	X_{TALK}		Room	-85					
Source Off Capacitance ^e	$C_{S(off)}$	$f = 1\text{ MHz}$	Room	31					pF
Drain Off Capacitance ^e	$C_{D(off)}$		Room	34					
Channel On Capacitance ^e	$C_{D(on)}$		Room	103					
Total Harmonic Distortion ^e	THD	Signal = 5 V_{RMS} , 20 Hz to 20 kHz, $R_L = 600\ \Omega$	Room	0.04					%
Power Supplies									
Power Supply Current	I_+	$V_+ = 16.5\text{ V}, V_- = -16.5\text{ V}$ $V_{IN} = 0\text{ or }5\text{ V}$	Room	25		100		100	μA
Negative Supply Current	I_-		Full	-0.001	-0.5		-0.5		
Ground Current	I_{GND}		Full	-25	-100		-100		

SPECIFICATIONS FOR DUAL SUPPLIES

Parameter	Symbol	Test Conditions Unless Specified $V_+ = 5\text{ V}, V_- = -5\text{ V}$ $V_{IN} = 2.4\text{ V}, 0.8\text{ V}^a$	Temp. ^b	Typ. ^c	-40 °C to 125 °C		-40 °C to 85 °C		Unit
					Min. ^d	Max. ^d	Min. ^d	Max. ^d	
Analog Switch									
Analog Signal Range ^e	V_{ANALOG}		Full		-5	5	-5	5	V
On-Resistance	R_{ON}	$V_+ = +5\text{ V}, V_- = -5\text{ V}$ $I_S = -10\text{ mA}, V_D = -3.5\text{ V to }+3.5\text{ V}$	Room	3.8		11		11	Ω
On-Resistance Match	ΔR_{ON}	$V_+ = +5\text{ V}, V_- = -5\text{ V},$ $I_S = -10\text{ mA}, V_D = \pm 3.5\text{ V}$	Full	0.13		0.5		0.5	
Dynamic Characteristics									
Turn-On Time ^e	t_{ON}	$R_L = 300\ \Omega, C_L = 35\text{ pF}$ $V_S = 3\text{ V}$, See Figure 2	Room	170		200		200	ns
Turn-Off Time ^e	t_{OFF}		Full	66		96		96	
Break-Before-Make ^e Time Delay	t_D	DG456 only, $V_S = 3\text{ V}$ $R_L = 300\ \Omega, C_L = 35\text{ pF}$	Room	98					
Charge Injection ^e	Q	$V_g = 0\text{ V}, R_g = 0\ \Omega, C_L = 1\text{ nF}$	Room	8					pC

SPECIFICATIONS FOR DUAL SUPPLIES									
Parameter	Symbol	Test Conditions Unless Specified $V_+ = 5\text{ V}$, $V_- = -5\text{ V}$ $V_{IN} = 2.4\text{ V}$, 0.8 V^a	Temp. ^b	Typ. ^c	- 40 °C to 125 °C		- 40 °C to 85 °C		Unit
					Min. ^d	Max. ^d	Min. ^d	Max. ^d	
Power Supplies									
Power Supply Current	I+	$V_{IN} = 0\text{ or }5\text{ V}$	Room Full	14		100 100		100 100	μA
Negative Supply Current	I-		Room Full	- 0.001	- 0.5 - 5		- 0.5 - 5		
Ground Current	I _{GND}		Room Full	- 14	- 100 - 100		- 100 - 100		

SPECIFICATIONS FOR UNIPOLAR SUPPLIES									
Parameter	Symbol	Test Conditions Unless Specified $V_+ = 12\text{ V}$, $V_- = 0\text{ V}$ $V_{IN} = 2.4\text{ V}$, 0.8 V^a	Temp. ^b	Typ. ^c	- 40 °C to 125 °C		- 40 °C to 85 °C		Unit
					Min. ^d	Max. ^d	Min. ^d	Max. ^d	
Analog Switch									
Analog Signal Range ^e	V _{ANALOG}		Full			12		12	V
On-Resistance	R _{ON}	$I_S = -10\text{ mA}$, $V_D = 0\text{ V to }+10\text{ V}$	Room Full	5.5		8.1 12.4		8.1 10.4	Ω
On-Resistance Match	ΔR_{ON}	$I_S = -10\text{ mA}$, $V_D = +10\text{ V}$	Room Full	0.14		0.5 1		0.5 0.5	
On-Resistance Flatness	R _{FLATNESS}	$I_S = -10\text{ mA}$, $V_D = 0\text{ V, }+5\text{ V, }+10\text{ V}$	Room Full	0.94		1.5 1.7		1.5 1.5	
Dynamic Characteristics									
Turn-On Time	t _{ON}	$R_L = 300\ \Omega$, $C_L = 35\text{ pF}$ $V_S = 8\text{ V}$, See Figure 2	Room Full	132		162 238		162 210	ns
Turn-Off Time	t _{OFF}		Room Full	61		91 117		91 105	
Break-Before-Make Time Delay	t _D	DG456 only, $V_S = 8\text{ V}$ $R_L = 300\ \Omega$, $C_L = 35\text{ pF}$	Room	70					
Charge Injection ^e	Q	$V_g = 0\text{ V}$, $R_g = 0\ \Omega$, $C_L = 1\text{ nF}$	Room	1					pC
Power Supplies									
Power Supply Current	I+	$V_+ = 13.5\text{ V}$, $V_- = 0\text{ V}$ $V_{IN} = 0\text{ or }5\text{ V}$	Room Full	25		100 100		100 100	μA
Negative Supply Current	I-		Room Full	- 0.001	- 0.5 - 5		- 0.5 - 5		
Ground Current	I _{GND}		Room Full	- 25	- 100 - 100		- 100 - 100		

Notes:

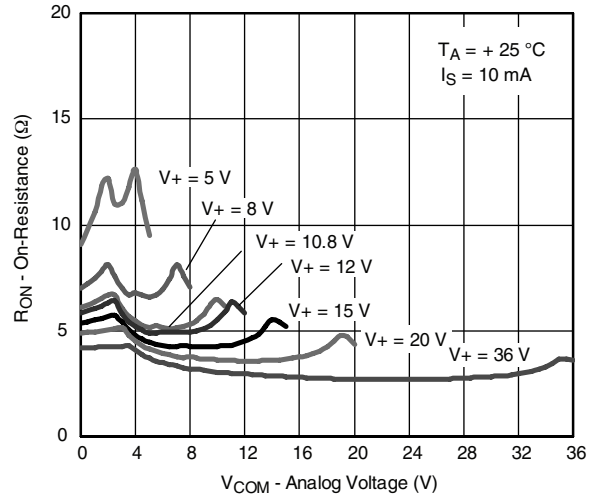
- V_{IN} = input voltage to perform proper function.
- Room = 25 °C, Full = as determined by the operating temperature suffix.
- Typical values are for DESIGN AID ONLY, not guaranteed nor subject to production testing.
- The algebraic convention whereby the most negative value is a minimum and the most positive a maximum, is used in this data sheet.
- Guaranteed by design, not subject to production test.

Stresses beyond those listed under "Absolute Maximum Ratings" may cause permanent damage to the device. These are stress ratings only, and functional operation of the device at these or any other conditions beyond those indicated in the operational sections of the specifications is not implied. Exposure to absolute maximum rating conditions for extended periods may affect device reliability.

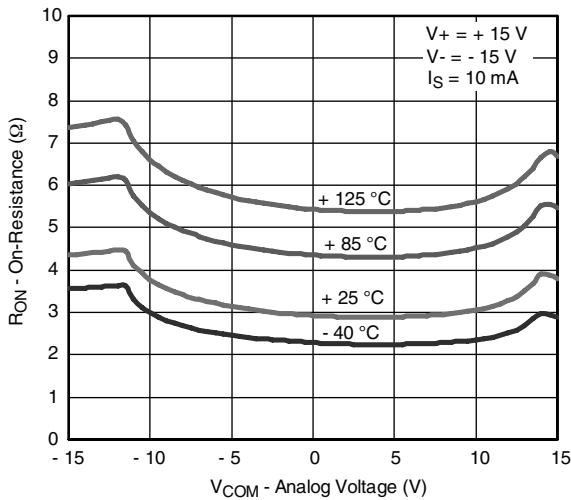
TYPICAL CHARACTERISTICS 25 °C, unless otherwise noted



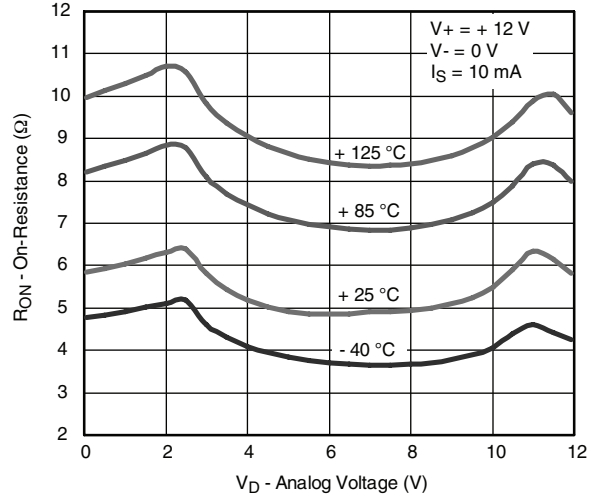
On-Resistance vs. V_D and Dual Supply Voltage



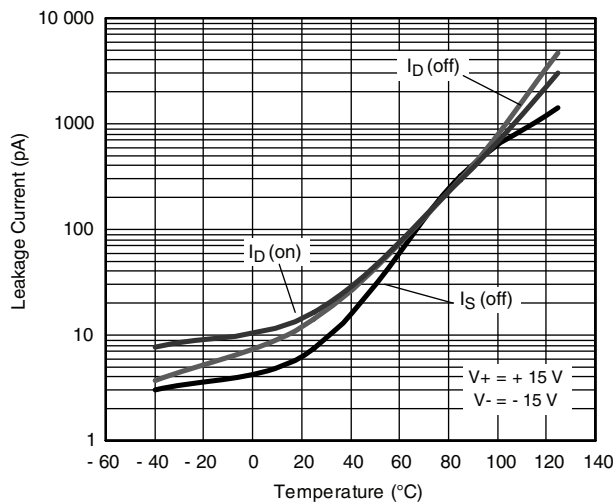
On-Resistance vs. V_D and Single Supply Voltage



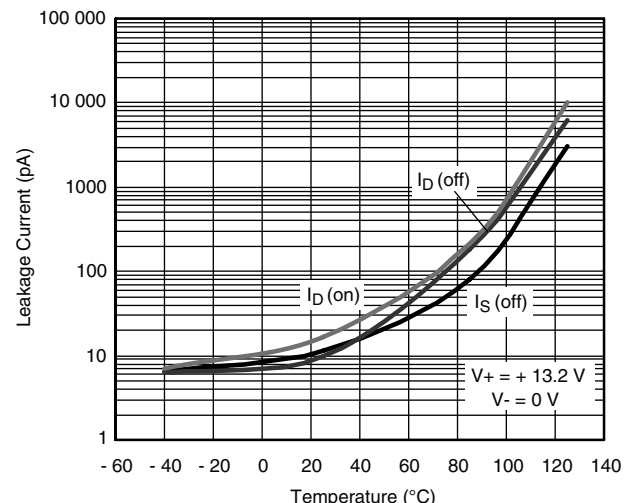
On-Resistance vs. V_D and Temperature



On-Resistance vs. V_D and Temperature

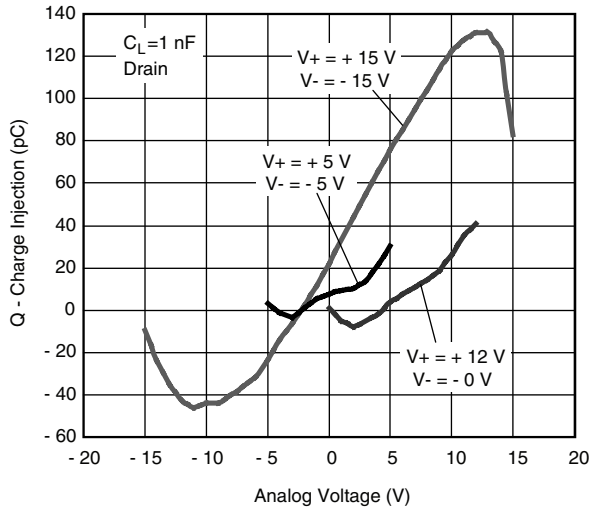


Leakage Current vs. Temperature

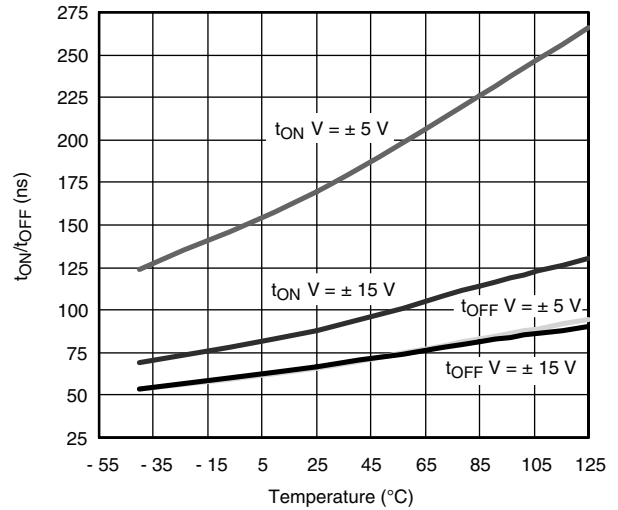


Leakage Current vs. Temperature

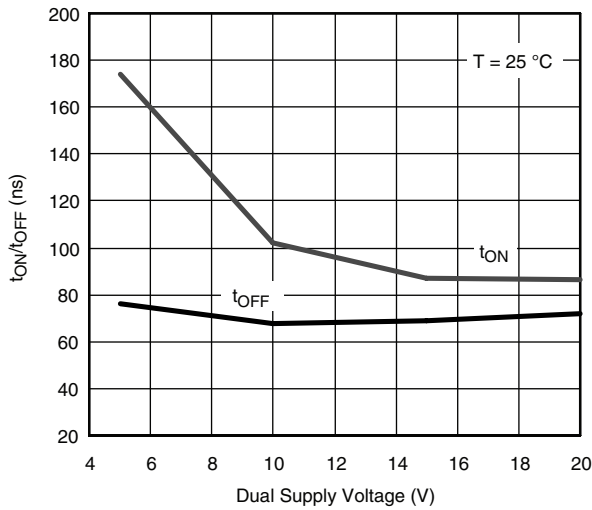
TYPICAL CHARACTERISTICS 25 °C, unless otherwise noted



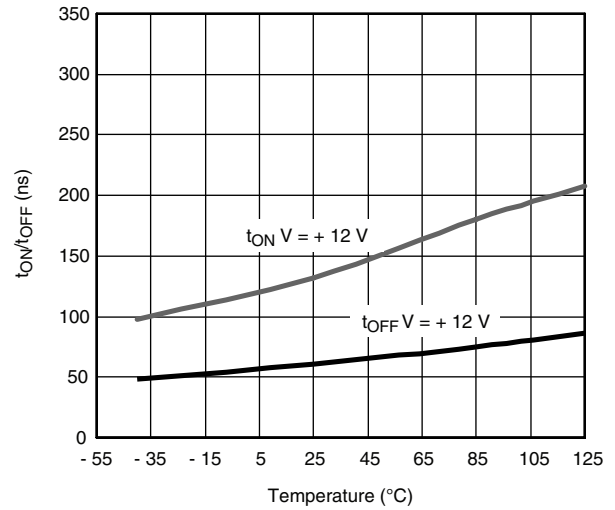
Charge Injection vs. Analog Voltage



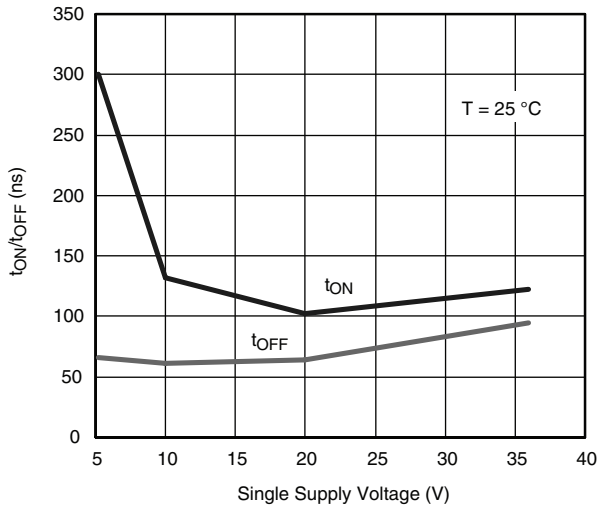
Switching Time vs. Temperature and Dual Supply Voltage



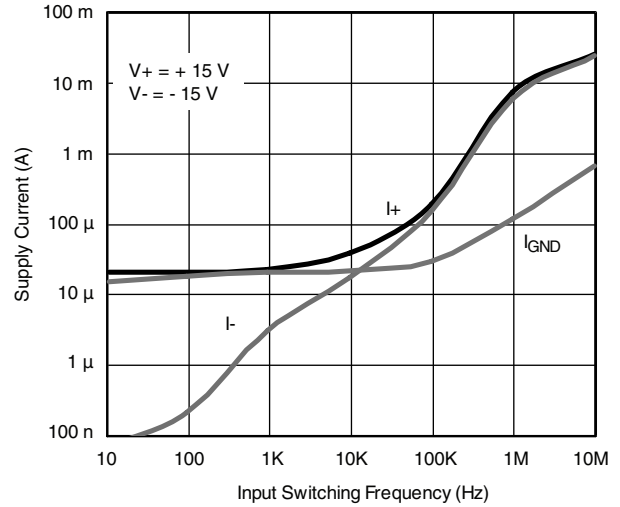
Switching Time vs. Dual Supply Voltage



Switching Time vs. Temperature and Single Supply Voltage

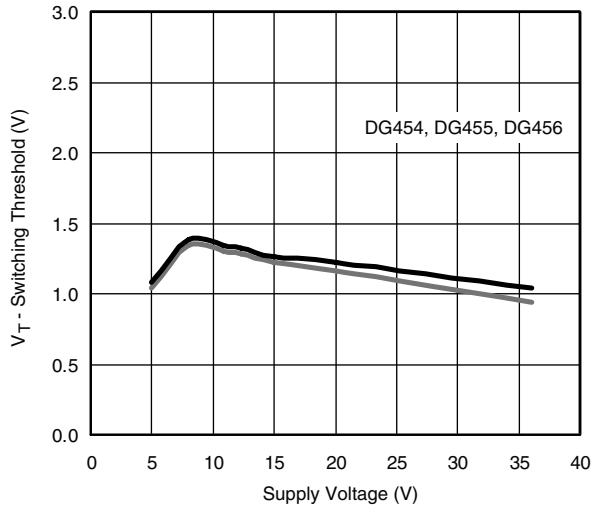


Switching Time vs. Single Supply Voltage

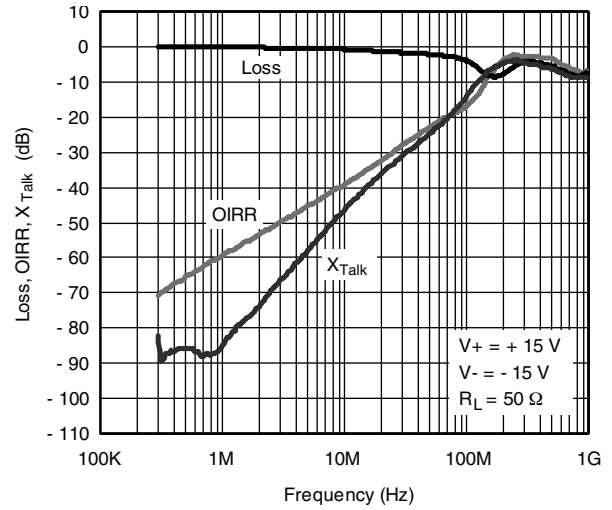


Supply Current vs. Input Switching Frequency

TYPICAL CHARACTERISTICS 25 °C, unless otherwise noted

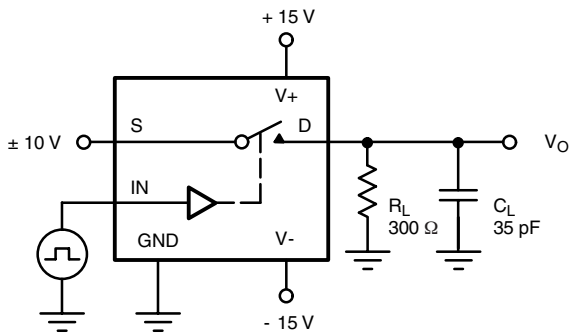


Switching Threshold vs. Supply Voltage



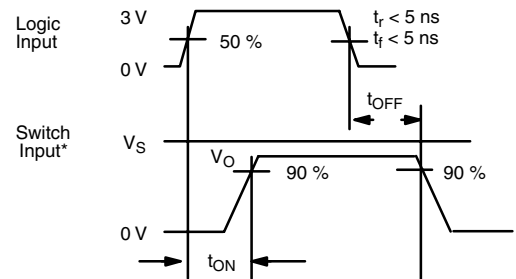
Insertion Loss, Off-Isolation, Crosstalk vs. Frequency

TEST CIRCUITS



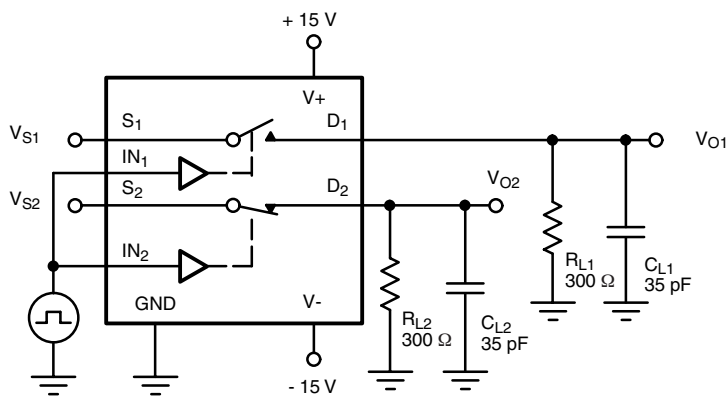
C_L (includes fixture and stray capacitance)

$$V_O = V_S \frac{R_L}{R_L + R_{DS(on)}}$$



Note: Logic input waveform is inverted for switches that have the opposite logic sense control

Figure 1. Switching Time



C_L (includes fixture and stray capacitance)

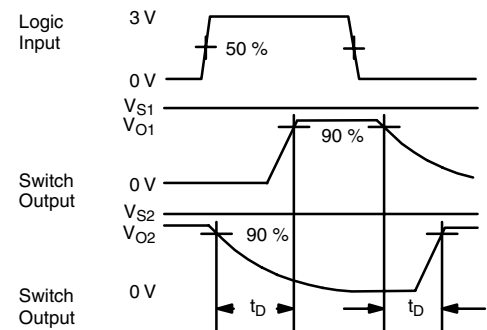


Figure 2. Break-Before-Make (DG456)

TEST CIRCUITS

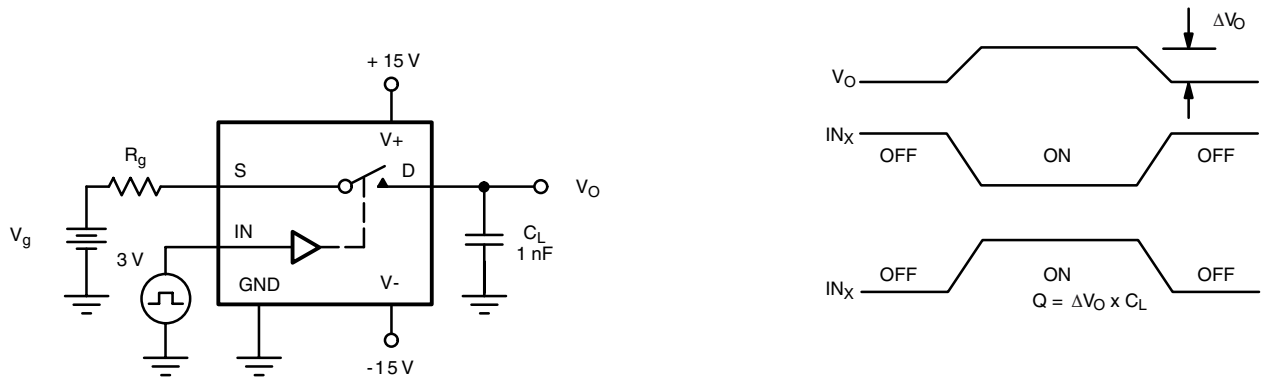


Figure 3. Charge Injection

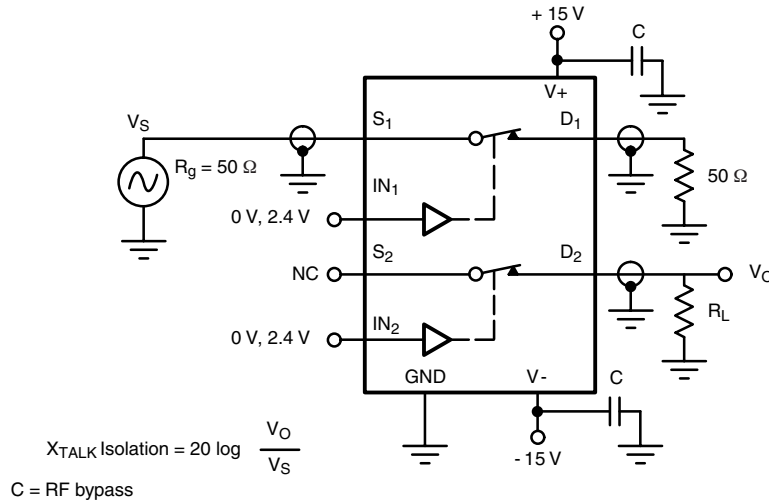


Figure 4. Crosstalk

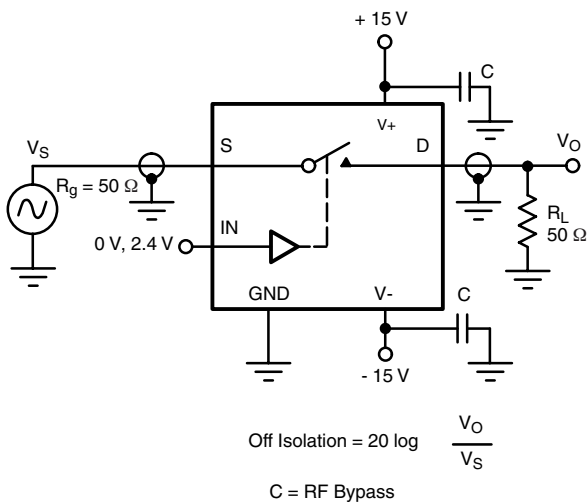


Figure 5. Off-Isolation

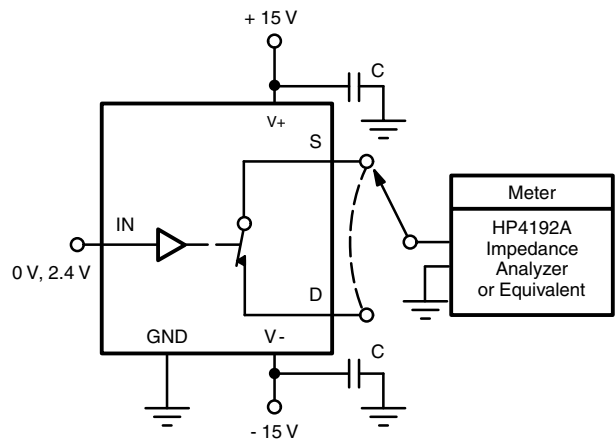


Figure 6. Source/Drain Capacitances

Vishay Siliconix maintains worldwide manufacturing capability. Products may be manufactured at one of several qualified locations. Reliability data for Silicon Technology and Package Reliability represent a composite of all qualified locations. For related documents such as package/tape drawings, part marking, and reliability data, see www.vishay.com/ppg?74473.



SOIC (NARROW): 16-LEAD
JEDEC Part Number: MS-012

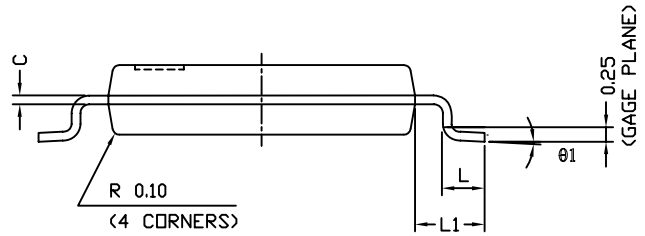
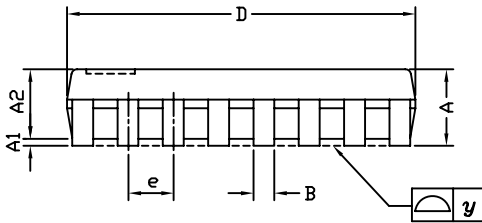


Dim	MILLIMETERS		INCHES	
	Min	Max	Min	Max
A	1.35	1.75	0.053	0.069
A ₁	0.10	0.20	0.004	0.008
B	0.38	0.51	0.015	0.020
C	0.18	0.23	0.007	0.009
D	9.80	10.00	0.385	0.393
E	3.80	4.00	0.149	0.157
e	1.27 BSC		0.050 BSC	
H	5.80	6.20	0.228	0.244
L	0.50	0.93	0.020	0.037
∅	0°	8°	0°	8°

ECN: S-03946—Rev. F, 09-Jul-01
DWG: 5300



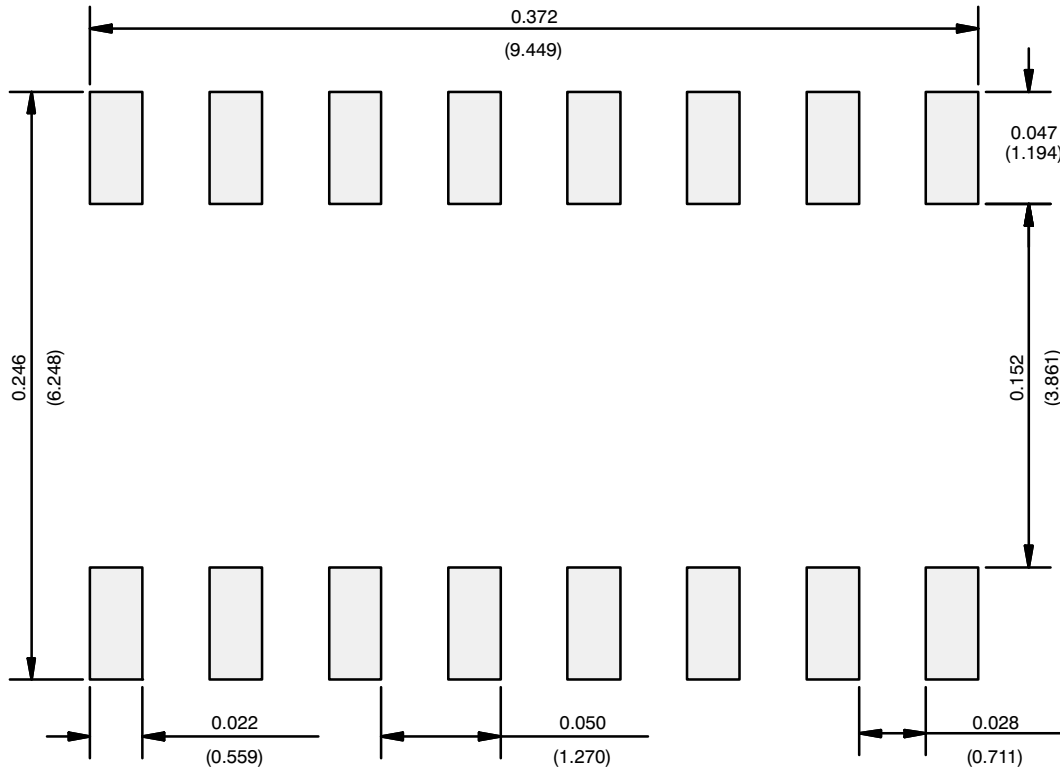
TSSOP: 16-LEAD



Symbols	DIMENSIONS IN MILLIMETERS		
	Min	Nom	Max
A	-	1.10	1.20
A1	0.05	0.10	0.15
A2	-	1.00	1.05
B	0.22	0.28	0.38
C	-	0.127	-
D	4.90	5.00	5.10
E	6.10	6.40	6.70
E1	4.30	4.40	4.50
e	-	0.65	-
L	0.50	0.60	0.70
L1	0.90	1.00	1.10
y	-	-	0.10
θ1	0°	3°	6°

ECN: S-61920-Rev. D, 23-Oct-06
 DWG: 5624

RECOMMENDED MINIMUM PADS FOR SO-16



Recommended Minimum Pads
Dimensions in Inches/(mm)

[Return to Index](#)



Disclaimer

ALL PRODUCT, PRODUCT SPECIFICATIONS AND DATA ARE SUBJECT TO CHANGE WITHOUT NOTICE TO IMPROVE RELIABILITY, FUNCTION OR DESIGN OR OTHERWISE.

Vishay Intertechnology, Inc., its affiliates, agents, and employees, and all persons acting on its or their behalf (collectively, "Vishay"), disclaim any and all liability for any errors, inaccuracies or incompleteness contained in any datasheet or in any other disclosure relating to any product.

Vishay makes no warranty, representation or guarantee regarding the suitability of the products for any particular purpose or the continuing production of any product. To the maximum extent permitted by applicable law, Vishay disclaims (i) any and all liability arising out of the application or use of any product, (ii) any and all liability, including without limitation special, consequential or incidental damages, and (iii) any and all implied warranties, including warranties of fitness for particular purpose, non-infringement and merchantability.

Statements regarding the suitability of products for certain types of applications are based on Vishay's knowledge of typical requirements that are often placed on Vishay products in generic applications. Such statements are not binding statements about the suitability of products for a particular application. It is the customer's responsibility to validate that a particular product with the properties described in the product specification is suitable for use in a particular application. Parameters provided in datasheets and/or specifications may vary in different applications and performance may vary over time. All operating parameters, including typical parameters, must be validated for each customer application by the customer's technical experts. Product specifications do not expand or otherwise modify Vishay's terms and conditions of purchase, including but not limited to the warranty expressed therein.

Except as expressly indicated in writing, Vishay products are not designed for use in medical, life-saving, or life-sustaining applications or for any other application in which the failure of the Vishay product could result in personal injury or death. Customers using or selling Vishay products not expressly indicated for use in such applications do so at their own risk and agree to fully indemnify and hold Vishay and its distributors harmless from and against any and all claims, liabilities, expenses and damages arising or resulting in connection with such use or sale, including attorneys fees, even if such claim alleges that Vishay or its distributor was negligent regarding the design or manufacture of the part. Please contact authorized Vishay personnel to obtain written terms and conditions regarding products designed for such applications.

No license, express or implied, by estoppel or otherwise, to any intellectual property rights is granted by this document or by any conduct of Vishay. Product names and markings noted herein may be trademarks of their respective owners.