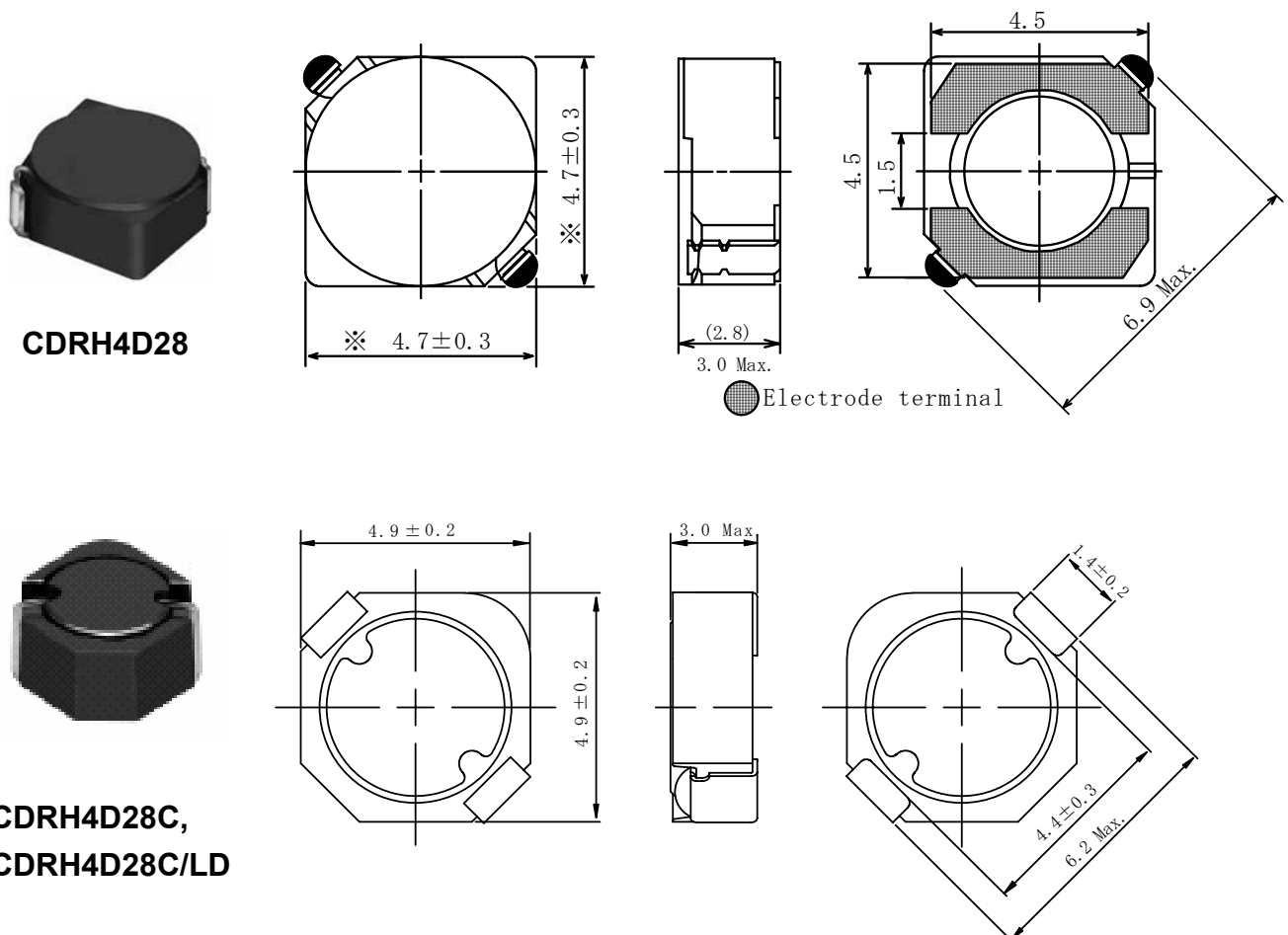


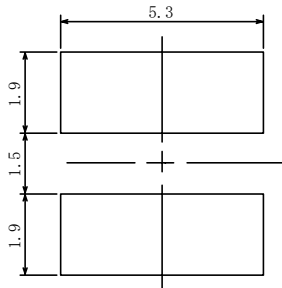
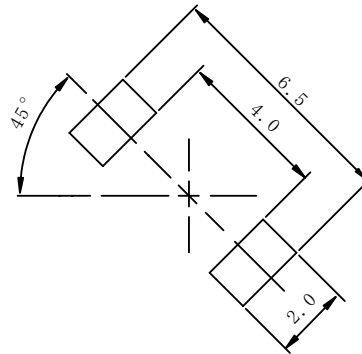
**Type: CDRH4D28 , CDRH4D28C , CDRH4D28C/LD**
**◆ Product Description**

- 5.0×5.0mm Max.(L×W), 3.0mm Max. Height.(CDRH4D28)
- 5.1×5.1mm Max.(L×W), 3.0mm Max. Height.(CDRH4D28C,CDRH4D28C/LD)
- Standard type CDRH4D28, CDRH4D28C and Low DCR type CDRH4D28C/LD are available.
- Inductance range:1.2~180  $\mu$  H(CDRH4D28); 1.1~100  $\mu$  H(CDRH4D28C);1.0~100  $\mu$  H(CDRH4D28C /LD);
- Rated current range:0.22~2.56A(CDRH4D28); 0.4~3.8A(CDRH4D28C); 0.3~3.0A (CDRH4D28C /LD);
- In addition to the standards versions shown here, custom inductors are also available to meet your exact requirements.

**◆ Feature**

- Magnetically shielded construction.
- Ideally used in Mobile phone,PDA,MP3,HDD,DSC/DVC,Note book PC,etc as DC-DC Converter inductors.
- RoHS Compliance.

**◆ Dimensions (mm)**


**Type: CDRH4D28 , CDRH4D28C , CDRH4D28C/LD**
**◆ Land Pattern (mm)**

**CDRH4D28**

**CDRH4D28C, CDRH4D28C/LD**
**◆ Specification(CDRH4D28)**

| Part No.<br>※    | Stamp | Inductance<br>( $\mu$ H)<br>100kHz/1V | D.C.R.( $\Omega$ )<br>Max.(Typ.)<br>(20°C) | Rated<br>Current (A)※1-1 |
|------------------|-------|---------------------------------------|--|--------------------------|
| CDRH4D28NP-1R2N□ | 1R2   | 1.2±30%                               | 23.6m(17.5m)                               | 2.56                     |
| CDRH4D28NP-1R8N□ | 1R8   | 1.8±30%                               | 27.5m(20.4m)                               | 2.20                     |
| CDRH4D28NP-2R2N□ | 2R2   | 2.2±30%                               | 31.3m(23.2m)                               | 2.04                     |
| CDRH4D28NP-2R7N□ | 2R7   | 2.7±30%                               | 43.3m(32.1m)                               | 1.60                     |
| CDRH4D28NP-3R3N□ | 3R3   | 3.3±30%                               | 49.2m(36.4m)                               | 1.57                     |
| CDRH4D28NP-3R9N□ | 3R9   | 3.9±30%                               | 64.8m(48.0m)                               | 1.44                     |
| CDRH4D28NP-4R7N□ | 4R7   | 4.7±30%                               | 72.0m(53.3m)                               | 1.32                     |
| CDRH4D28NP-5R6N□ | 5R6   | 5.6±30%                               | 100.9m(74.7m)                              | 1.17                     |
| CDRH4D28NP-6R8N□ | 6R8   | 6.8±30%                               | 108.9m(80.7m)                              | 1.12                     |
| CDRH4D28NP-8R2N□ | 8R2   | 8.2±30%                               | 117.5m(87.0m)                              | 1.04                     |
| CDRH4D28NP-100N□ | 100   | 10±30%                                | 128.3m(95.0m)                              | 1.00                     |
| CDRH4D28NP-120N□ | 120   | 12±30%                                | 131.6m(97.5m)                              | 0.84                     |
| CDRH4D28NP-150N□ | 150   | 15±30%                                | 149.0m(110.4m)                             | 0.76                     |
| CDRH4D28NP-180N□ | 180   | 18±30%                                | 166.0m(123.0m)                             | 0.72                     |
| CDRH4D28NP-220N□ | 220   | 22±30%                                | 235.0m(174.5m)                             | 0.70                     |
| CDRH4D28NP-270N□ | 270   | 27±30%                                | 261.0m(193.3m)                             | 0.58                     |
| CDRH4D28NP-330N□ | 330   | 33±30%                                | 331.3m(254.8m)                             | 0.56                     |
| CDRH4D28NP-390N□ | 390   | 39±30%                                | 383.7m(284.2m)                             | 0.50                     |
| CDRH4D28NP-470N□ | 470   | 47±30%                                | 587.0m(435.0m)                             | 0.48                     |
| CDRH4D28NP-560N□ | 560   | 56±30%                                | 624.5m(462.6m)                             | 0.41                     |
| CDRH4D28NP-680N□ | 680   | 68±30%                                | 699.0m(517.8m)                             | 0.35                     |
| CDRH4D28NP-820N□ | 820   | 82±30%                                | 914.8m(677.6m)                             | 0.32                     |
| CDRH4D28NP-101N□ | 101   | 100±30%                               | 1.02(765.8m)                               | 0.29                     |
| CDRH4D28NP-121N□ | 121   | 120±30%                               | 1.27(976.8m)                               | 0.27                     |
| CDRH4D28NP-151N□ | 151   | 150±30%                               | 1.35(1.08)                                 | 0.24                     |
| CDRH4D28NP-181N□ | 181   | 180±30%                               | 1.54(1.23)                                 | 0.22                     |

※1-1. Rated current: The DC current at which the inductance decreases to 65% of its nominal value or when  $\Delta t=40^{\circ}\text{C}$ , whichever is lower( $T_a=20^{\circ}\text{C}$ ).

**Type: CDRH4D28 , CDRH4D28C , CDRH4D28C/LD**
**◆ Specification(CDRH4D28C)**

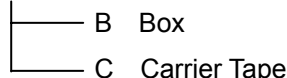
| Part No.<br>※     | Stamp | Inductance<br>( $\mu$ H)<br>100kHz/1V | D.C.R.( $\Omega$ )<br>Max.(Typ.)<br>(20°C) | Rated Current<br>(A)※1-1 |
|-------------------|-------|---------------------------------------|--|--------------------------|
| CDRH4D28CNP-1R1P□ | A     | 1.1±25%                               | 22m(17.5m)                                 | 3.8                      |
| CDRH4D28CNP-2R0P□ | B     | 2.0±25%                               | 29m(23.0m)                                 | 2.6                      |
| CDRH4D28CNP-3R2P□ | C     | 3.2±25%                               | 42m(33.3m)                                 | 2.3                      |
| CDRH4D28CNP-4R7P□ | D     | 4.7±25%                               | 63m(50.0m)                                 | 1.8                      |
| CDRH4D28CNP-6R3P□ | E     | 6.3±25%                               | 94m(75.0m)                                 | 1.3                      |
| CDRH4D28CNP-100P□ | F     | 10±25%                                | 106m(85.0m)                                | 1.26                     |
| CDRH4D28CNP-150P□ | G     | 15±25%                                | 137m(110m)                                 | 1.05                     |
| CDRH4D28CNP-220P□ | H     | 22±25%                                | 207m(166m)                                 | 850m                     |
| CDRH4D28CNP-330P□ | I     | 33±25%                                | 331m(265m)                                 | 700m                     |
| CDRH4D28CNP-470P□ | J     | 47±25%                                | 510m(408m)                                 | 540m                     |
| CDRH4D28CNP-680P□ | K     | 68±25%                                | 625m(500m)                                 | 490m                     |
| CDRH4D28CNP-101P□ | L     | 100±25%                               | 948m(758m)                                 | 400m                     |

**◆ Specification(CDRH4D28C/LD)**

| Part No.<br>※       | Stamp | Inductance<br>( $\mu$ H)<br>100kHz/1V | D.C.R.(m $\Omega$ )<br>Max.(Typ.)<br>(20°C) | Saturation<br>Current(A)<br>※1-2 | Temperature<br>rise current<br>(A) ※2 |
|---------------------|-------|---------------------------------------|---|----------------------------------|---------------------------------------|
| CDRH4D28CLDNP-1R0P□ | A     | 1.0±25%                               | 17.5(14)                                    | 3.0                              | 4.9                                   |
| CDRH4D28CLDNP-2R2P□ | B     | 2.2±25%                               | 23.8(19)                                    | 2.0                              | 3.6                                   |
| CDRH4D28CLDNP-3R3P□ | C     | 3.3±25%                               | 28.9(23)                                    | 1.6                              | 3.2                                   |
| CDRH4D28CLDNP-4R7P□ | D     | 4.7±25%                               | 36.3(29)                                    | 1.5                              | 2.9                                   |
| CDRH4D28CLDNP-6R8P□ | E     | 6.8±25%                               | 48.8(39)                                    | 1.2                              | 2.4                                   |
| CDRH4D28CLDNP-100P□ | F     | 10±25%                                | 67.5(54)                                    | 0.90                             | 1.8                                   |
| CDRH4D28CLDNP-150P□ | G     | 15±25%                                | 93.4(75)                                    | 0.81                             | 1.6                                   |
| CDRH4D28CLDNP-220P□ | H     | 22±25%                                | 140(112)                                    | 0.65                             | 1.25                                  |
| CDRH4D28CLDNP-330P□ | I     | 33±25%                                | 223(179)                                    | 0.55                             | 0.92                                  |
| CDRH4D28CLDNP-470P□ | J     | 47±25%                                | 272(218)                                    | 0.43                             | 0.86                                  |
| CDRH4D28CLDNP-680P□ | K     | 68±25%                                | 366(293)                                    | 0.36                             | 0.72                                  |
| CDRH4D28CLDNP-101P□ | L     | 100±25%                               | 520(416)                                    | 0.30                             | 0.61                                  |

**※ Description of part name**

CDRH4D28CLDNP-1R0P□



※1-2.Saturation Current: The DC current at which the inductance decreases to 65% of its nominal value.

 ※2 Temperature rise current: The DC current at which the temperature rise is  $\Delta t=40^{\circ}\text{C}$ .( $T_a=20^{\circ}\text{C}$ )