

MICRO SWITCH
a Honeywell Division

SWITCH - ENCLOSED

CATALOG LISTING
BZE6-2RN-FR

FED. MFG. CODE 91928

M BZE6-2RN-FR

DRAWING NUMBER

ISSUE 4

RELEASE NO. PR-19699 REPLACES

CHECK

REVISIONS	
A	CO-73655 22 APR 93
B	CO-75965 20 AUG 93
C	0017273 21 NOV 05

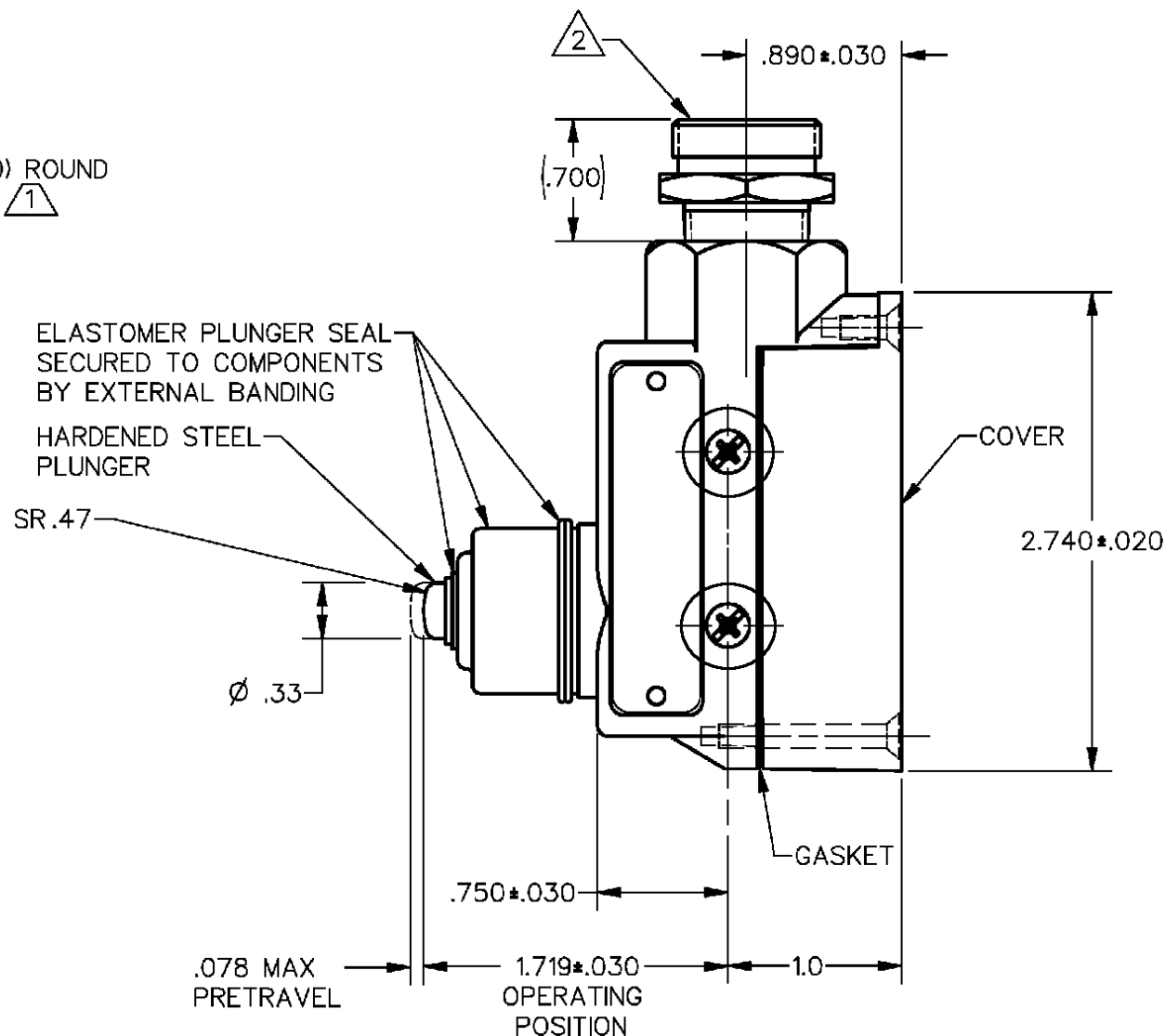
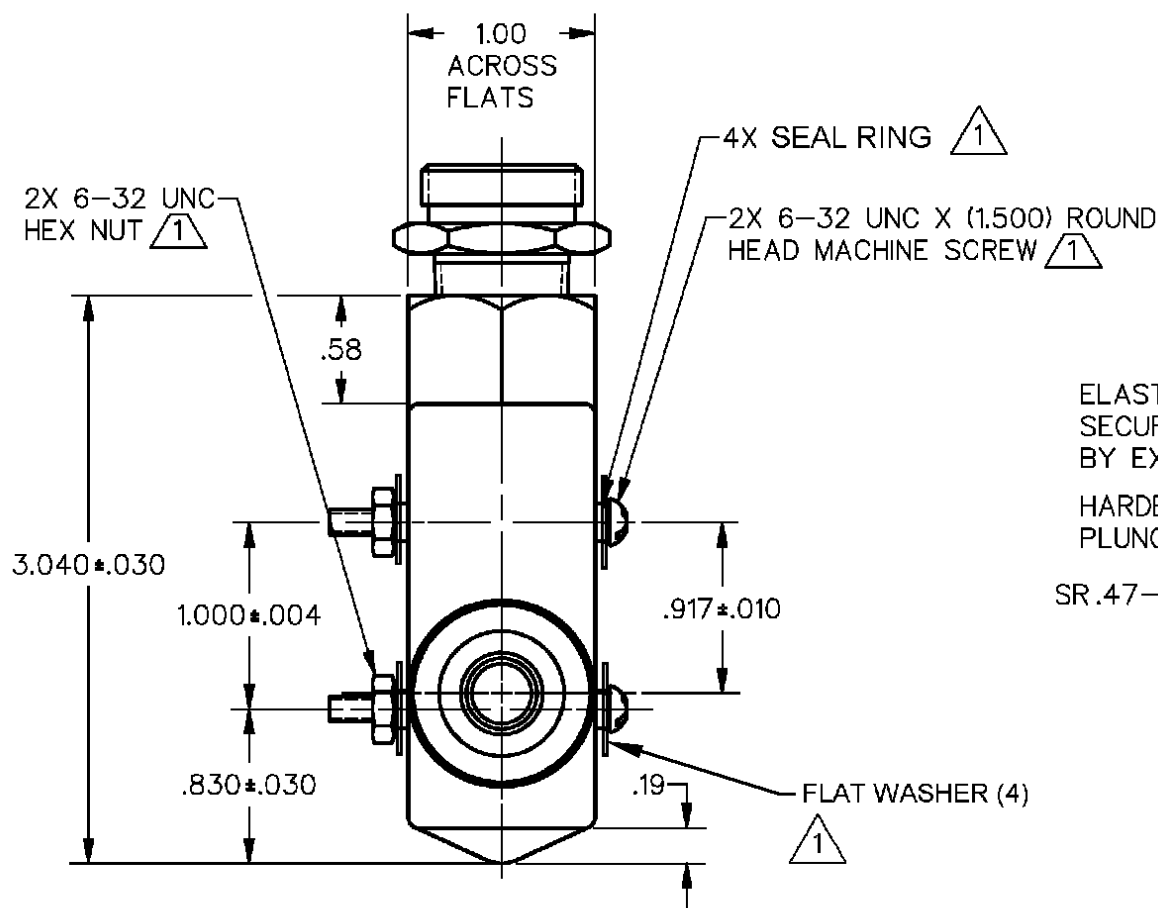
CHECK

RJ 21NOV05

CHECK

S A V 24 FEB 92

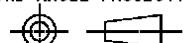
RASTER



- NOTE
- ① FURNISHED UNASSEMBLED
 - ② SEALED "MINI" STYLE RECEPTACLE, BRAD HARRISON PART NO. 41103 OR EQUIVALENT
 - 3 - FULLY POTTED SWITCH CAVITY
 - 4 - SEAL RATING: NEMA 1, 3, 4, 12, 13 IP 56

THIS DRAWING COVERS A PROPRIETARY ITEM AND IS THE PROPERTY OF MICRO SWITCH, A DIVISION OF HONEYWELL. THIS DRAWING IS NOT TO BE COPIED OR USED WITHOUT THE APPROVAL OF MICRO SWITCH

THIRD ANGLE PROJECTION



SCALE FULL

DO NOT SCALE PRINT

UNLESS OTHERWISE SPECIFIED TOLERANCES ARE

ONE PLACE	(.0)	±.030
TWO PLACE	(.00)	±.015
THREE PLACE	(.000)	±.005
ANGLES		±

WEIGHT

CHARACTERISTICS

OPERATING FORCE	15-39 OZ
RELEASE FORCE	10 OZ MIN
DIFFERENTIAL TRAVEL	.002 MAX
OVERTRAVEL	.219 MIN

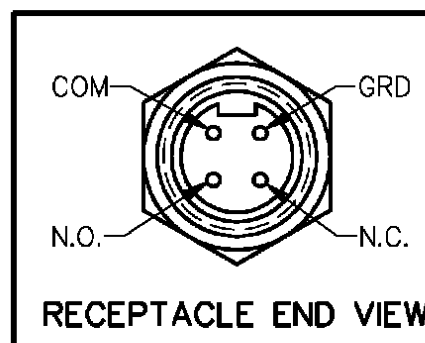
ELECTRICAL DATA

CONTACT ARRANGEMENT
S P D T

L271 8A-125, 250 OR 480 VAC
2A 600 VAC
1/8HP 125 VAC, 1/4HP 250 VAC
1/2A 125 VDC, 1/4A 250 VDC



1.5A, 240 Vac



ANSI Y14.5M-1982 APPLIES