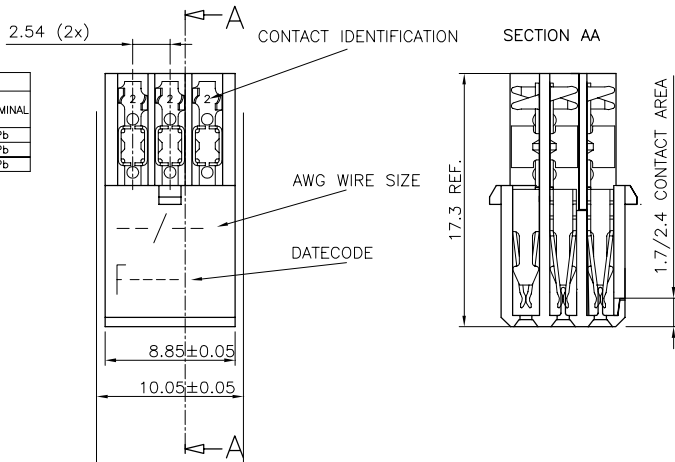


PRODUCT NUMBER BPS8B09FLD-CO---

WIRE ACCOMODATION		
PRODUCT NUMBER	WIRE SIZE	CONTACT IDENTIFICATION
BPS8B09FLD0CO--	AWG28/30	0
BPS8B09FLD2CO--	AWG24/26	2

CONTACT PLATING				
PRODUCT NUMBER	PERFORMANCE LEVEL PER DIN41612	CONTACT AREA	IDC TERMINAL	
BPS8B09FLD-COZ0	CLASSE 3	Au OVER Ni	SnPb	
BPS8B09FLD-COZ1	CLASSE 2	Au OVER Ni	SnPb	
BPS8B09FLD-COE9	CLASSE 1	Au OVER Ni	SnPb	



PERFORMANCES CHARACTERISTICS

VOLTAGE RATING : 250 VAC (rms)
 CURRENT RATING : 1.5 A AT 25 °C, 1 A AT 70 °C.
 INSULATION RESISTANCE : 1000 MΩ INITIAL, 100 MΩ MIN. AFTER TEST
 DIELECTRIC WITH-STANDING VOLTAGE : 1000 VAC (rms).
 CONTACT RESISTANCE : 15 mΩ MAX. INITIAL, 5 mΩ MAX. RISE OF INITIAL VALUE AFTER TEST.
 OPERATING TEMPERATURE*: -40 °C TO +125 °C.
 INSERTION FORCE : 1 N MAX./CONTACT.
 WITHDRAWAL FORCE : 0.2 N MIN./CONTACT.

*DEPENDING ON THE CABLE, THE MAX. TEMPERATURE CAN BE LOWER.
 FOR STANDARD PVC INSULATED CABLE : 105 °C MAX.

CONSTRUCTION

BODY MATERIAL : GLASS-REINFORCED THERMOPLASTIC (UL94V-0).
 COVER MATERIAL : POLYESTER (PBT/P), COLOUR : BLACK.
 CONTACT MATERIAL : PHOSPHOR BRONZE.
 CONTACT FINISH : Au OVER Ni IN CONTACT AREA, SnPb ON I.D.C. TERMINAL.
 Z0 : PERFORMANCE LEVEL PER DIN41612 CLASS 3
 Z1 : PERFORMANCE LEVEL PER DIN41612 CLASS 2
 E9 : PERFORMANCE LEVEL PER DIN41612 CLASS 1
 OTHERS : CONSULT FCI
 TIE-WRAP : OPTIONAL (PART N°: TF3)

PART NUMBERS

BPS8B09FLD0CO-- CONNECTOR FOR WIRE SIZE AWG28, AWG30.
 (CONTACT IDENTIFICATION : 0).
 BPS8B09FLD2CO-- CONNECTOR FOR WIRE SIZE AWG24, AWG26
 (CONTACT IDENTIFICATION : 2).

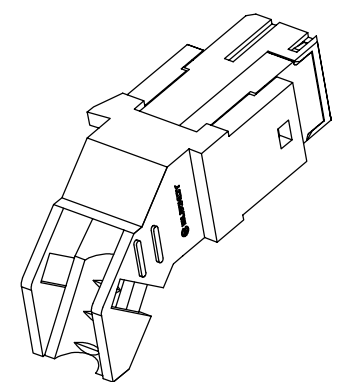
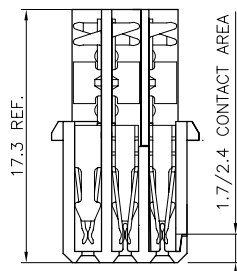
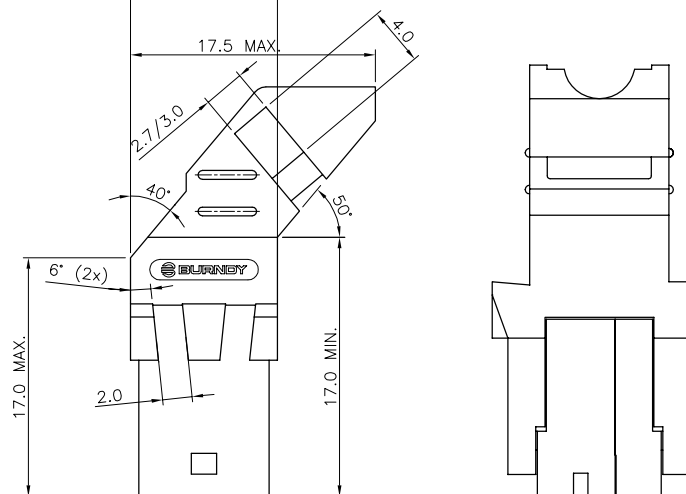
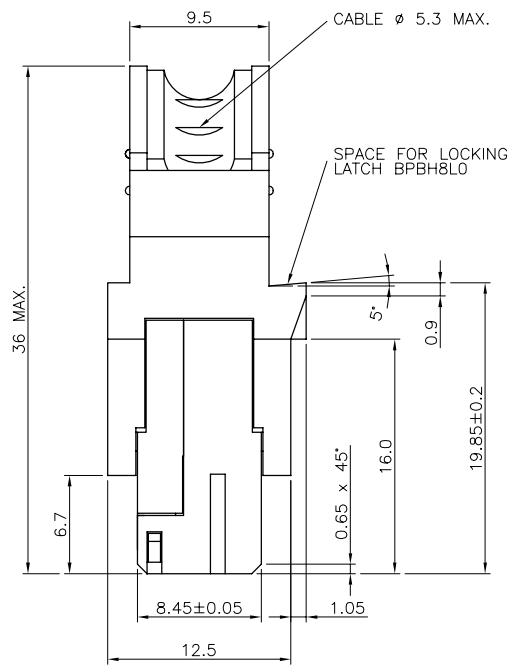
AWG WIRE SIZE MARKING

BPS8B09FLD0CO-- : 28/30.
 BPS8B09FLD2CO-- : 24/26.

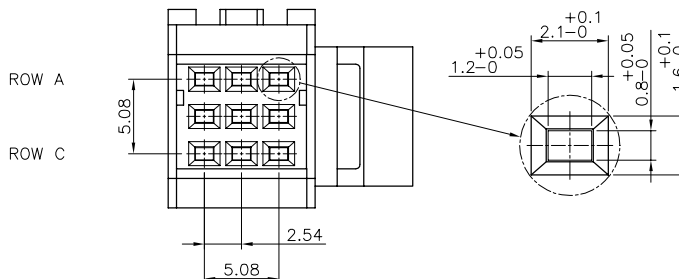
DATECODE MARKING

F + YEAR & WEEKCODE, EXAMPLE : F9950.

ASSEMBLED VIEW



POS. 1



mat'l. code				tolerances unless otherwise specified				CUSTOMER COPY		FCI ELECTRONICS	
ltr	ecn	no	dr	date	linear	0.1 ±0.2	0.01 ±0.1	projection	title	product family	code
A	F00819	DLE	00.10.23					mm	ASSY BPS8	BPS8	213
								4:1	09 POS A,B,C LOADED		1 of 4
									55350		
sheet	revision	A	A	A	A						
index	sheet	1	2	3	4						

This specific information is the property of FCI Electronics S.A. and its subsidiaries. It is not to be disclosed, copied, or reproduced in any form without the written authorization of FCI Electronics S.A.



All rights are reserved. Reproduction in whole or in part without the written authorization of FCI Electronics S.A. is prohibited.

PRODUCT NUMBER BPS8B09FLD-00--

WIRE ACCOMODATION		
PRODUCT NUMBER	WIRE SIZE	CONTACT IDENTIFICATION
BPS8B09FLD000--	AWG28/30	0
BPS8B09FLD200--	AWG24/26	2

CONTACT PLATING			
PRODUCT NUMBER	PERFORMANCE LEVEL PER DIN41612	CONTACT AREA	IDC TERMINAL
BPS8B09FLD-00Z0	CLASSE 3	Au OVER Ni	SnPb
BPS8B09FLD-00Z1	CLASSE 2	Au OVER Ni	SnPb
BPS8B09FLD-00E9	CLASSE 1	Au OVER Ni	SnPb

PERFORMANCES CHARACTERISTICS

VOLTAGE RATING : 250 VAC (rms)
 CURRENT RATING : 1,5 A AT 25 °C, 1 A AT 70 °C.
 INSULATION RESISTANCE : 1000 MΩ INITIAL, 100 MΩ MIN. AFTER TEST
 DIELECTRIC WITH-STANDING VOLTAGE : 1000 VAC (rms).
 CONTACT RESISTANCE : 15 mΩ MAX. INITIAL, 5 mΩ MAX. RISE OF INITIAL VALUE AFTER TEST.
 OPERATING TEMPERATURE*: -40 °C TO +125 °C.
 INSERTION FORCE : 1 N MAX./CONTACT.
 WITHDRAWAL FORCE : 0,2 N MIN./CONTACT.

*DEPENDING ON THE CABLE, THE MAX. TEMPERATURE CAN BE LOWER.
 FOR STANDARD PVC INSULATED CABLE : 105 °C MAX.

CONSTRUCTION

BODY MATERIAL : GLASS-REINFORCED THERMOPLASTIC (UL94V-0).
 CONTACT MATERIAL : PHOSPHOR BRONZE.
 CONTACT FINISH : Au OVER Ni IN CONTACT AREA, SnPb ON I.D.C. TERMINAL.
 Z0 : PERFORMANCE LEVEL PER DIN41612 CLASS 3
 Z1 : PERFORMANCE LEVEL PER DIN41612 CLASS 2
 E9 : PERFORMANCE LEVEL PER DIN41612 CLASS 1
 OTHERS : CONSULT FCI

PART NUMBERS

BPS8B09FLD000-- CONNECTOR FOR WIRE SIZE AWG28, AWG30.
 (CONTACT IDENTIFICATION : 0).
 BPS8B09FLD200-- CONNECTOR FOR WIRE SIZE AWG24, AWG26
 (CONTACT IDENTIFICATION : 2).

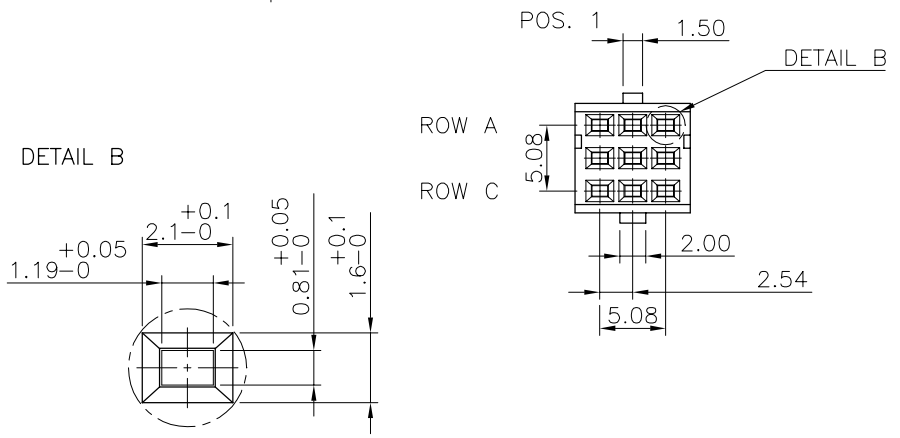
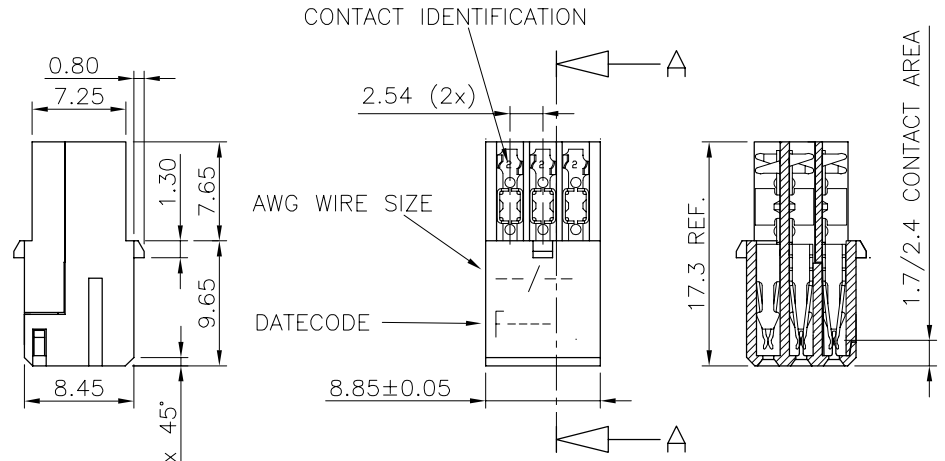
AWG WIRE SIZE MARKING

BPS8B09FLD000-- : 28/30.
 BPS8B09FLD200-- : 24/26.

DATECODE MARKING

F + YEAR & WEEKCODE, EXAMPLE : F9950.

SECTION AA



mat'l. code SEE NOTES		tolerances unless otherwise specified		CUSTOMER COPY	 www.fciconnect.com
ltr	ecn no/dr	date	0.1 ±0.2 0.01 ±0.1	projection	
A	F00819	DLE 00.10.19	linear	 mm	title ASSY BPS8 09 POS A,B,C LOADED product family BPS8 sizedwg no 213
			angles ±1'	scale 2.5:1	code 55350 sheet 2 of 4
dr	D	LEGRAND	00.10.19		
eng	JF	NOTTEAU	00.10.19		
chr					
app	JF-N		00.10.19		
sheet index	revision sheet				

Tous droits strictement réservés. Reproduction ou communication
 sans autorisation écrite de FCI Electronics S.A.
 Toute réimpression sans autorisation écrite de FCI Electronics S.A.
 est formellement interdite.



All rights strictly reserved. Reproduction or issue to third parties
 without written permission is prohibited.
 Any reprinting without written authorization from the
 proprietor of FCI Electronics S.A.
 is expressly forbidden.

PRODUCT NUMBER BPS8B09FLD-MO---

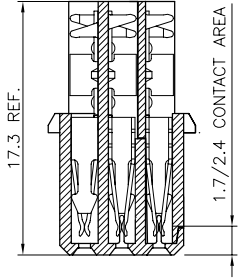
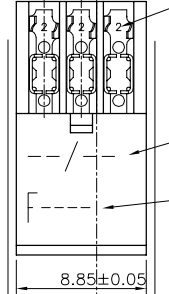
WIRE ACCOMODATION		
PRODUCT NUMBER	WIRE SIZE	CONTACT IDENTIFICATION
BPS8B09FLD0M0---	AWG28/30	0
BPS8B09FLD2M0---	AWG24/26	2

CONTACT PLATING			
PRODUCT NUMBER	PERFORMANCE LEVEL PER DIN41612	CONTACT AREA	IDC TERMINAL
BPS8B09FLD-MOZ0	CLASSE 3	Au OVER Ni	SnPb
BPS8B09FLD-MOZ1	CLASSE 2	Au OVER Ni	SnPb
BPS8B09FLD-MOZ9	CLASSE 1	Au OVER Ni	SnPb

2.54 (2x) A

CONTACT IDENTIFICATION

SECTION AA



PERFORMANCES CHARACTERISTICS

VOLTAGE RATING : 250 VAC (rms)
 CURRENT RATING : 1.5 A AT 25 °C, 1 A AT 70 °C.
 INSULATION RESISTANCE : 1000 MΩ INITIAL, 100 MΩ MIN. AFTER TEST
 DIELECTRIC WITH-
 STANDING VOLTAGE : 1000 VAC (rms).
 CONTACT RESISTANCE : 15 mΩ MAX. INITIAL, 5 mΩ MAX. RISE OF INITIAL VALUE AFTER TEST.
 OPERATING TEMPERATURE*: -40 °C TO +125 °C.
 INSERTION FORCE : 1 N MAX./CONTACT.
 WITHDRAWAL FORCE : 0,2 N MIN./CONTACT.

*DEPENDING ON THE CABLE, THE MAX. TEMPERATURE CAN BE LOWER.
 FOR STANDARD PVC INSULATED CABLE : 105 °C MAX.

CONSTRUCTION

BODY MATERIAL : GLASS-REINFORCED THERMOPLASTIC (UL94V-0).
 COVER MATERIAL : Ni PLATED ABS MATERIAL.
 CONTACT MATERIAL : PHOSPHOR BRONZE.
 CONTACT FINISH : Au OVER Ni IN CONTACT AREA, SnPb ON I.D.C. TERMINAL.
 Z0 : PERFORMANCE LEVEL PER DIN41612 CLASS 3
 Z1 : PERFORMANCE LEVEL PER DIN41612 CLASS 2
 E9 : PERFORMANCE LEVEL PER DIN41612 CLASS 1
 OTHERS : CONSULT FCI
 TIE-WRAP : OPTIONAL (PART N° TF3)

PART NUMBERS

BPS8B09FLD0M0--- CONNECTOR FOR WIRE SIZE AWG28, AWG30. (CONTACT IDENTIFICATION : 0).
 BPS8B09FLD2M0--- CONNECTOR FOR WIRE SIZE AWG24, AWG26 (CONTACT IDENTIFICATION : 2).

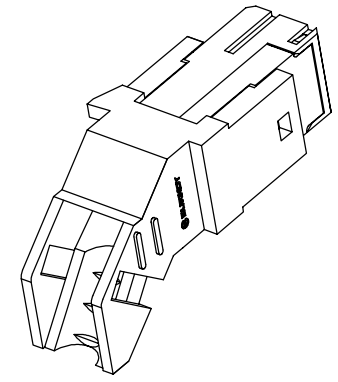
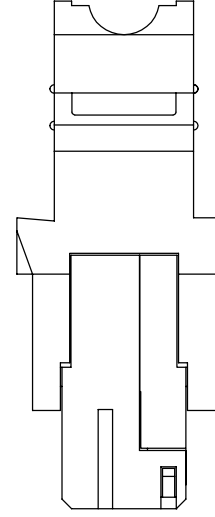
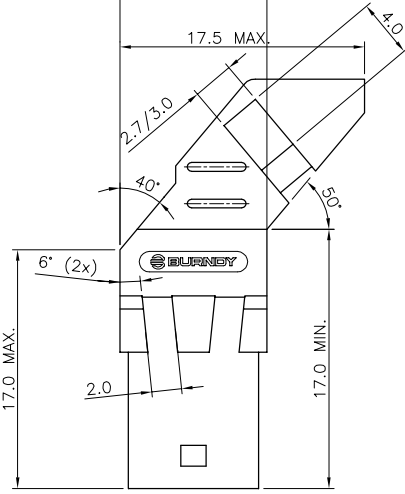
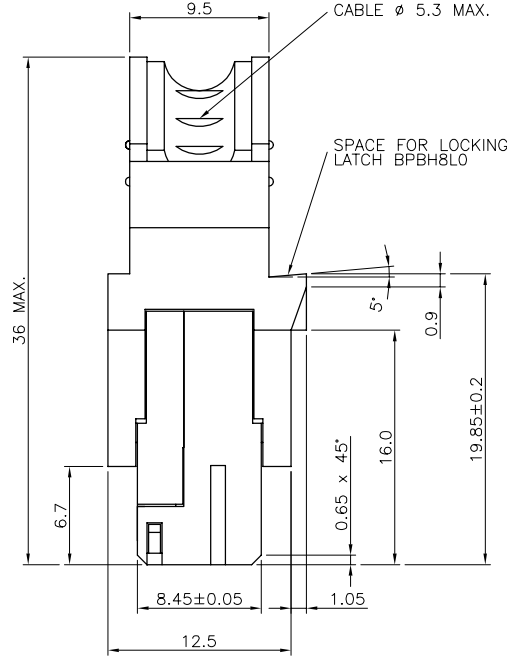
AWG WIRE SIZE MARKING

BPS8B09FLD0M0--- : 28/30.
 BPS8B09FLD2M0--- : 24/26.

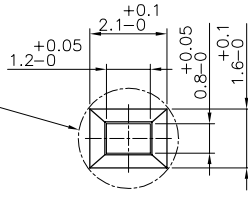
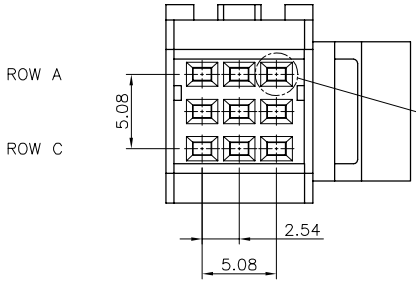
DATECODE MARKING

F + YEAR & WEEKCODE, EXAMPLE : F9950.

ASSEMBLED VIEW



POS. 1



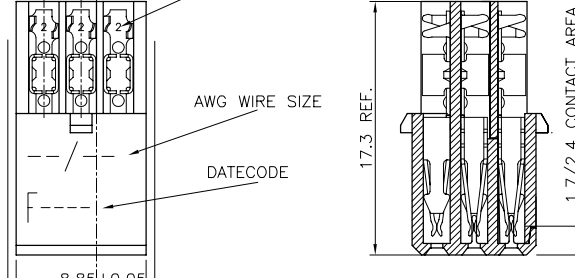
mat'l. code				tolerances unless otherwise specified		CUSTOMER COPY		FCI ELECTRONICS	
ltr	ecn	no	dr	date	linear	projection	title	product family	code
A	F00819	DLE	00.10.23		linear	projection	ASSY BPS8	BPS8	213
							09 POS A,B,C LOADED		
							mm		
							scale	A2	55350
							4:1		3 of 4
sheet index	revision sheet								

PRODUCT NUMBER BPS8B09FLD2COZ1CM1

WIRE ACCOMMODATION		
PRODUCT NUMBER	WIRE SIZE	CONTACT IDENTIFICATION
BPS8B09FLD2CO—CM1	AWG24/26	2

CONTACT PLATING			
PRODUCT NUMBER	PERFORMANCE LEVEL PER DIN41612	CONTACT AREA	IDC TERMINAL
BPS8B09FLD2COZ0CM1	CLASSE 3	Au OVER Ni	SnPb
BPS8B09FLD2COZ1CM1	CLASSE 2	Au OVER Ni	SnPb
BPS8B09FLD2COE9CM1	CLASSE 1	Au OVER Ni	SnPb

2.54 (2x) CONTACT IDENTIFICATION SECTION AA



PERFORMANCES CHARACTERISTICS

VOLTAGE RATING : 250 VAC (rms)
 CURRENT RATING : 1.5 A AT 25 °C, 1 A AT 70 °C
 INSULATION RESISTANCE : 1000 MΩ INITIAL, 100 MΩ MIN. AFTER TEST
 DIELECTRIC WITHSTANDING VOLTAGE : 1000 VAC (rms)
 CONTACT RESISTANCE : 15 mΩ MAX. INITIAL, 5 mΩ MAX. RISE OF INITIAL VALUE AFTER TEST.
 OPERATING TEMPERATURE*: -40 °C TO +125 °C
 INSERTION FORCE : 1 N MAX./CONTACT
 WITHDRAWAL FORCE : 0.2 N MIN./CONTACT

*DEPENDING ON THE CABLE, THE MAX. TEMPERATURE CAN BE LOWER.
 FOR STANDARD PVC INSULATED CABLE : 105 °C MAX.

CONSTRUCTION

BODY MATERIAL : GLASS-REINFORCED THERMOPLASTIC (UL94V-0).
 COVER MATERIAL : POLYESTER (PBT/P), COLOUR : BLACK.
 CONTACT MATERIAL : PHOSPHOR BRONZE.
 CONTACT FINISH : Au OVER Ni IN CONTACT AREA, SnPb ON I.D.C. TERMINAL.

Z0 : PERFORMANCE LEVEL PER DIN41612 CLASS 3
 Z1 : PERFORMANCE LEVEL PER DIN41612 CLASS 2
 E9 : PERFORMANCE LEVEL PER DIN41612 CLASS 1
 OTHERS : CONSULT FCI
 TIE-WRAP : OPTIONAL (PART N°. TF3)

PART NUMBERS

BPS8B09FLD2COZ1CM1 CONNECTOR FOR WIRE SIZE AWG24, AWG26.
 (CONTACT IDENTIFICATION : 2).

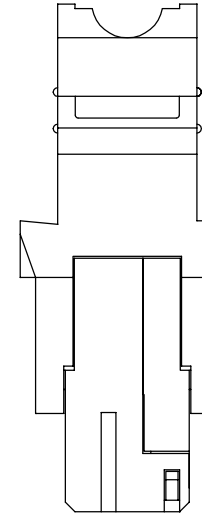
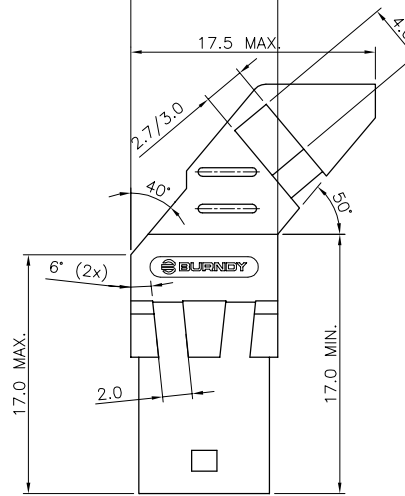
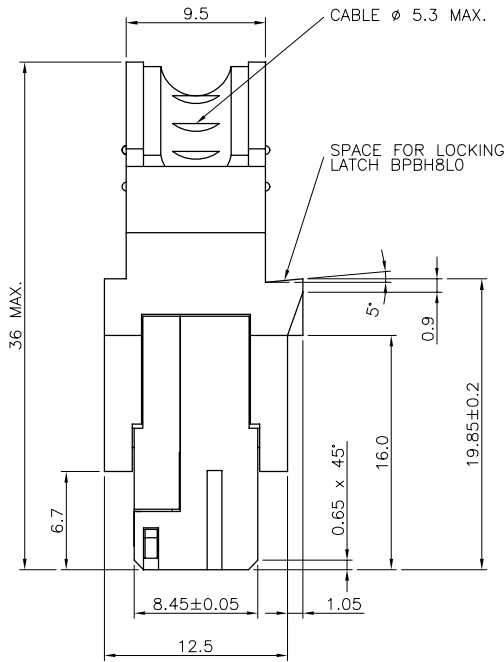
CUSTOMER MARKING

BPS8B09FLD2COZ1CM1 : BPS8.

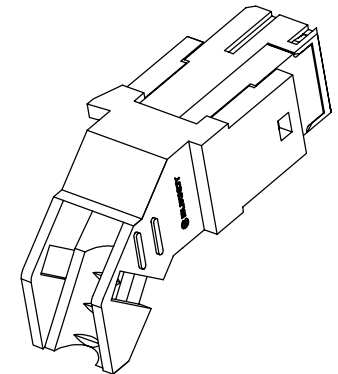
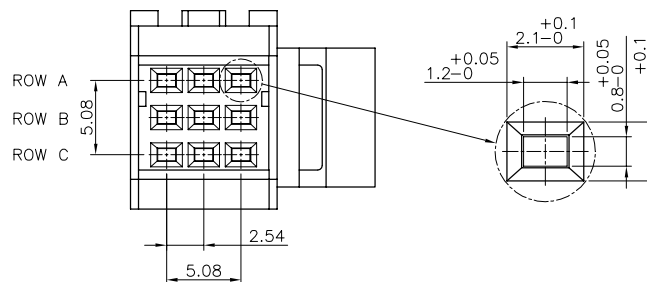
DATECODE MARKING

F + YEAR & WEEKCODE, EXAMPLE : F9950.

ASSEMBLED VIEW



POS. 1



mat'l. code				tolerances unless otherwise specified		CUSTOMER COPY		FCI ELECTRONICS	
ltr	ecn	no	dr	date	linear	projection	title	www.fciconnect.com	
A	F00819	DLE	00.10.23		0.1 ±0.2	⊕	ASSY BPS8		
					0.01 ±0.1	⊕	09 POS A,B,C LOADED		
					angles ±1°	⊕	product family BPS8	code	213
					dr D LEGRAND 00.10.23	mm	size	dwg no	sheet
					eng JF NOTTEAU 00.10.23	4:1	A2	55350	4 of 4
					chr				
					app JF-N 00.10.23				
sheet index	revision sheet								