

7.4 x 3.4 x 1.8 mm SMD CERAMIC RESONATOR

AWSZT-MGD

Pb in ceramic
(exempt per RoHS 2002/95/EC Annex (7))

RoHS
Compliant



7.4 x 3.4 x 1.8 mm

FEATURES:

- Low resonant impedance
- IR reflow capable
- Low cost

APPLICATIONS:

- Remote controls, Microprocessor clocks, Mobile phones, DVD & CD-Roms, Electric appliances, Industrial controllers
- Consumer electronics

ELECTRICAL CHARACTERISTICS:

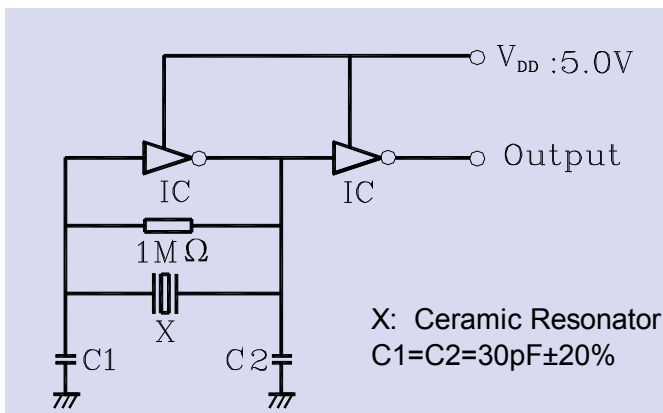
| Item | Requirement |
|-----------------------|------------------------------|
| Frequency Range | 1.84MHz to 8.00MHz |
| Resonant Impedance | See Table 2.1 |
| Frequency Tolerance | ± 0.5% |
| Frequency Stability | ±0.3% max. (-25°C to +85°C)* |
| Withstanding Voltage | 50V (DC , 1 min) |
| Rating Voltage | |
| (1) D.C. Voltage | 6 V.D.C. max |
| (2) A.C. Voltage | 15 Vp-p. max |
| Load Capacitance | 30pF ±20% (C1=C2) |
| Insulation Resistance | 100MΩ min. (10V, 1min) |
| Operation Temperature | -25°C to +85°C* |
| Storage Temperature | -55°C to +85°C |
| Aging Rate (Fosc) | ±0.3% max. (10 years) |

Table 2.1

| Frequency Range (MHz) | Resonant Impedance (Ro)(Ω) |
|-----------------------|----------------------------|
| 1.84 MHz - 2.99 MHz | 100 max |
| 3.00 MHz - 3.49 MHz | 50 max |
| 3.50 MHz - 8.00 MHz | 30 max |

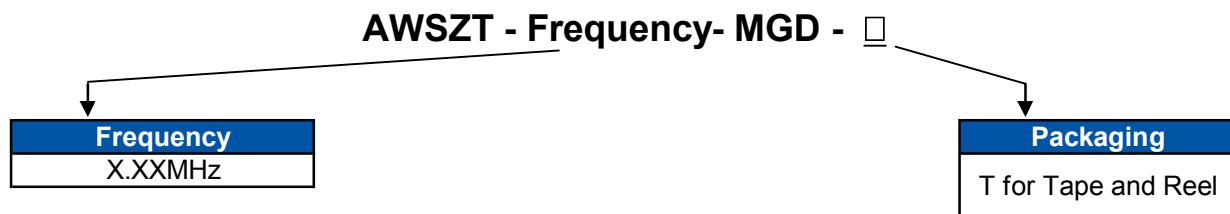
* Please contact ABRACON for tighter stability and/or wider temperature range

TEST CONDITION AND TEST CIRCUIT:



Parts shall be measured under a condition (Temp.: 20±15°C, Humidity: 65±20% R.H.) unless the standard condition (Temp: 25±3°C, Humidity: 65±10% R.H.) is regulated to measure

OPTIONS & PART IDENTIFICATION:



7.4 x 3.4 x 1.8 mm SMD CERAMIC RESONATOR

AWSZT-MGD

Pb in ceramic
(exempt per RoHS 2002/95/EC Annex (7))

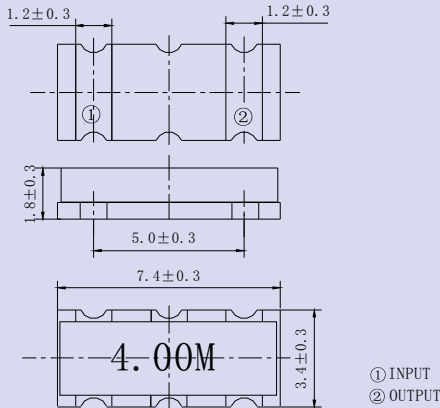
RoHS
Compliant

AWSZT-MGD



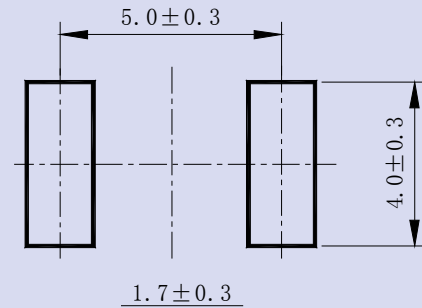
7.4 x 3.4 x 1.8 mm

OUTLINE DRAWING:

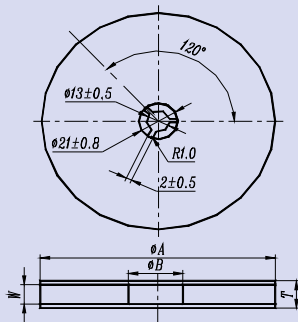


Dimension: mm

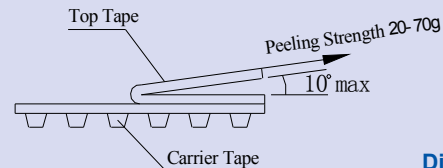
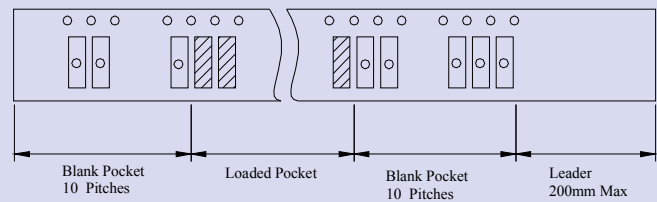
RECOMMENDED LAND PATTERN



TAPE & REEL: (4,000pcs/reel)



| φ A | φ B | W | T | Pieces per reel | Carrier tape size |
|---------|-------|---------|---------|-----------------|-------------------|
| 330 ± 3 | 80min | 16.4min | 22.4max | 4000typ. | 16 |



Dimension: mm

CAUTION

- Do not apply excess mechanical stress to the component body or terminations. Do not attempt to re-form or bend the components as this will cause damage to the component.
- This component is not hermetically sealed. Do not clean or wash the component.
- Reflow soldering: Do not use strong acidity flux, such as flux with chlorine content of greater than 0.2wt% during reflow Soldering.
- Do not expose the component to open flame.
- This specification applies to the functionality of the component as a single unit. Customers are advised to insure that the component is thoroughly evaluated in the particular application.
- Shelf life: The warranted shelf life of this product is six months after the delivery date under the conditions of sealed, unopened, original packaging.
- Storage conditions: If the product is to be stored for a period greater than six months after the delivery date, it is recommended that customers confirm the solderability and characteristics for the product prior to use.
- This product is not recommended for use in the following applications: Automotive, Medical, Military, Safety, or any other high-reliability, life-dependant application. Contact Abracon Corporation prior to using this product when in doubt.