

PRODUCT NUMBER

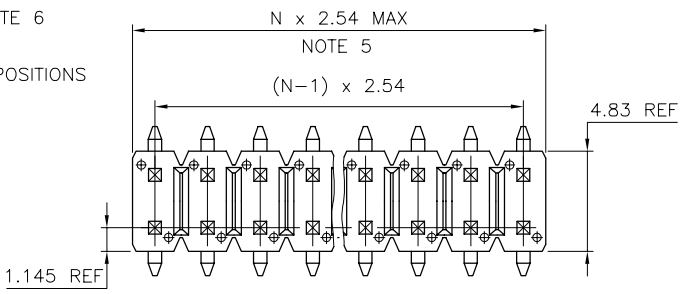
54242 - X X X - X X - X X X X

PLATING
 1 = 0.76µm GOLD ON CONTACT AREA
 3.81µm TIN/LEAD ON TAIL
 8 = 0.38µm GOLD ON CONTACT AREA
 3.81µm TIN/LEAD ON TAIL
 4 = TIN LEAD

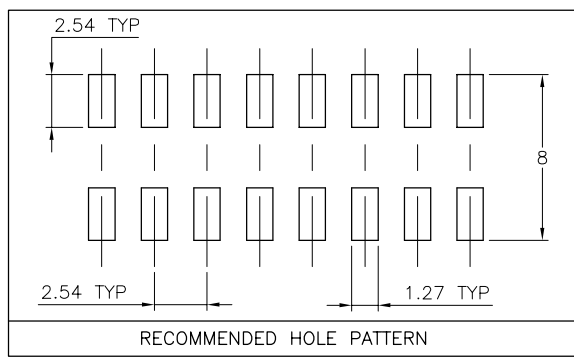
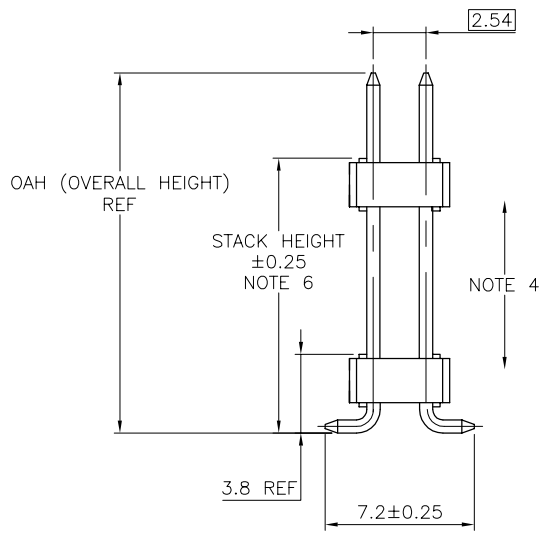
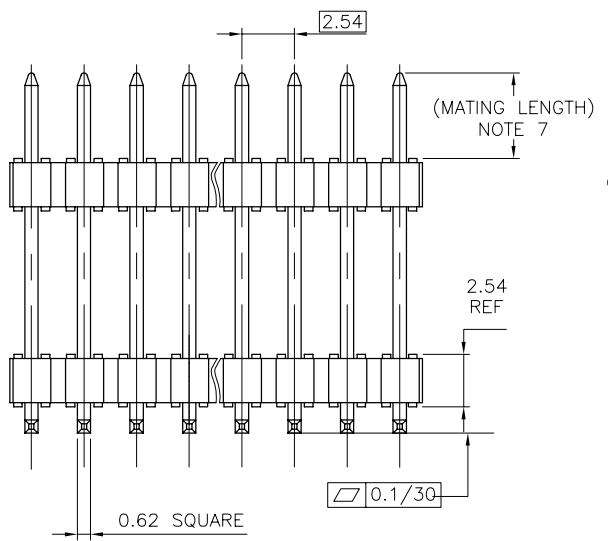
STACK HEIGHT
 NOTE 6

TOTAL NB OF POSITIONS
 04 TO 50

PIN STYLE	OAH
01	10.42
02	11.72
03	14.12
04	14.98
05	15.87
06	17.13
07	19.18
08	21.72
09	24.26
10	26.8
11	29.34
12	31.88



- NOTES:
- HOUSING MAT'L : HIGH TEMPERATURE THERMOPLASTIC. UL94V-0 COLOR: BLACK
 - PIN MATERIAL : PHOSPHOR BRONZE
 - PRODUCT PACKAGED IN POLY BAGS.
 - 9N MIN RETENTION IN EITHER DIRECTION
 - TO DETERMINE DIMENSIONS :
 N = NUMBER OF POSITIONS PER ROW
 EXAMPLE : 8 POS PER ROW, N x 2.54 = 20.32mm
 - XXXX = MILLIMETERS
 SPECIFY MILLIMETERS
 9.5mm MIN TO 26.0mm MAX AVAILABLE
 IN 0.5MM INCREMENT
 EXAMPLE FOR STACK HEIGHT: 1 2 5 0 = 12.5mm
 - MATING LENGTH = (OAH)-(STACK HEIGHT)
 - RECOMMENDED IR PROFILE PER TA842.



mat'l. code SEE NOTES		tolerances unless otherwise specified		CUSTOMER COPY		ELECTRONICS www.fciconnect.com	
ltr	ecn no dr	date		linear	projection	title UNSHR.HEADER STR DR SMT	
A	F10119	DLE	01.01.24			product family BERGSTIK	
B	F10305	JCO	01.05.03	angles		code	213
C	F04-0328	LMU	04.08.31		mm	size dwg no	sheet 1 of 1
				dr	D.LE	01.01.24	
				engr	JM.C	01.01.24	
				chr	JM.C	01.01.24	
				appd	JF.N	01.01.24	
sheet index	revision sheet				scale	4:1	
					size	A3	
					dwg no	54242	

Tous droits strictement réservés. Reproduction ou communication
 sous quelque forme que ce soit sans autorisation écrite de
 FCI Electronics S.A.
 Property of FCI Electronics S.A.
 Droits de reproduction FCI Electronics S.A.

All rights strictly reserved. Reproduction or issues to third parties
 in any form is not permitted without written authority from the
 Property of FCI Electronics S.A.
 Copyright © FCI Electronics S.A.

B
 C
 D