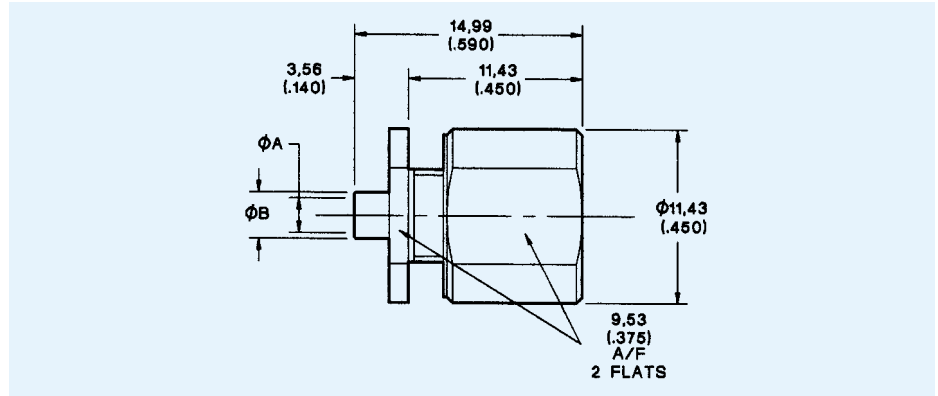


Jacks

Straight Jack, Bulkhead Mount, Direct Solder

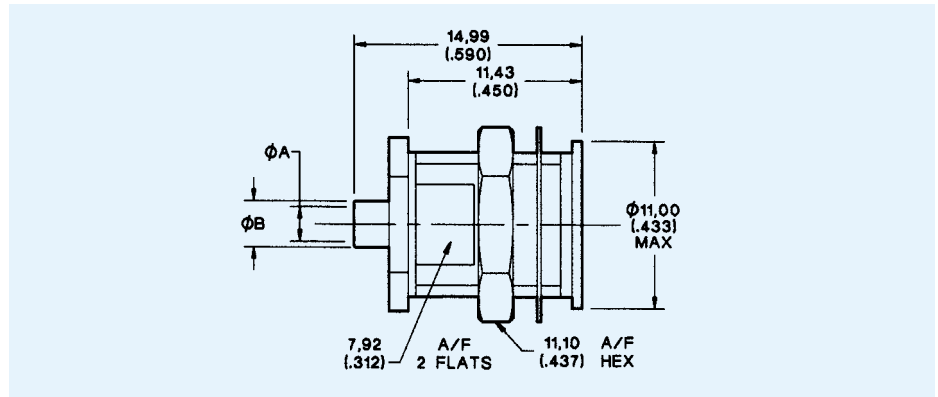
Part Number	Cable Size	A	B
052-610-9137990	2,16 (.085)	2,29 (.090)	3,05 (.120)
052-610-9237990	3,59 (.141)	3,69 (.145)	4,58 (.180)



Mounting Plan L (Page 108). Assembly Instruction AI-436 (Page 119)

Straight Jack, Recessed Bulkhead Mount, Direct Solder

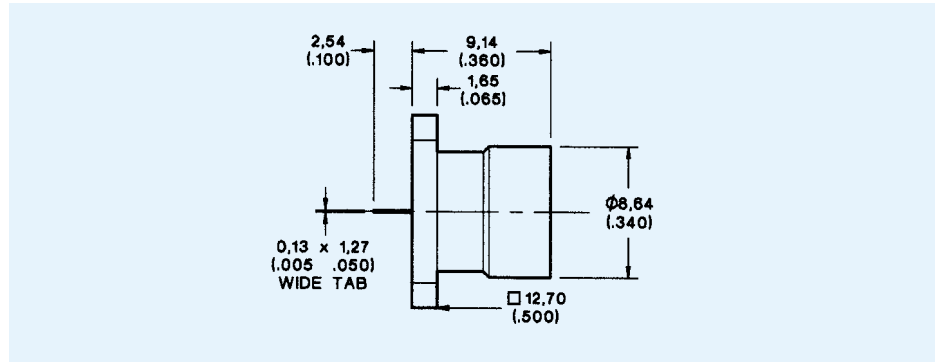
Part Number	Cable Size	A	B
052-615-9072990	2,16 (.085)	2,29 (.090)	3,05 (.120)



Mounting Plan DD (Page 109). Assembly Instruction AI-436 (Page 119)

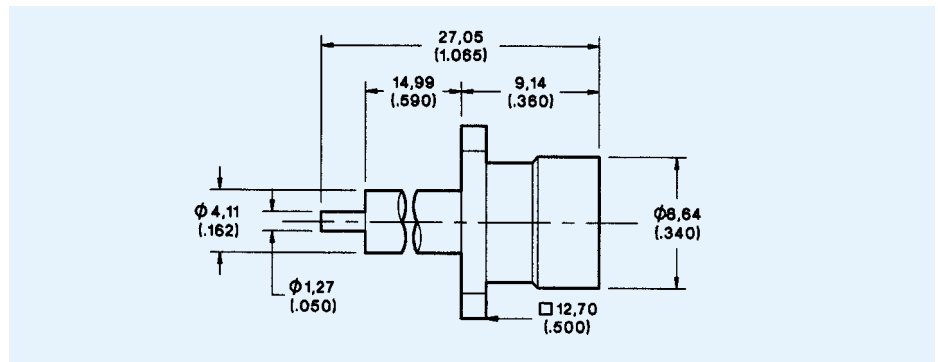
Jack Receptacle, Square Flange Mount *, Tab Contact

Part Number
052-645-4575990



Jack Receptacle, Square Flange Mount *, Stub Contact

Part Number
052-645-4520990



* Flange dimensions are shown in the SMA section (Page 13).