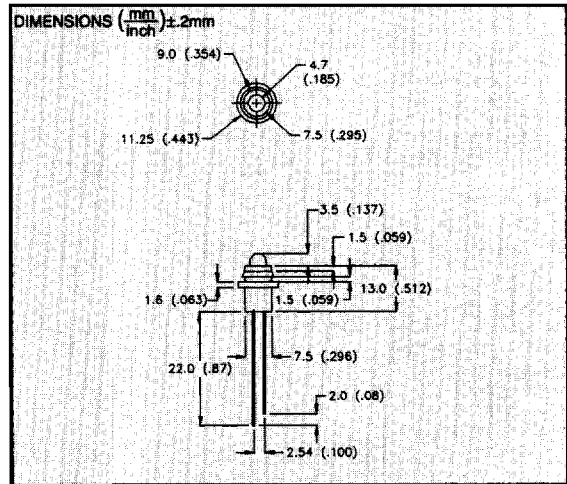


SSI-LXH9 SERIES T-5mm REAR of PANEL INSTALLATION LED IND.

LUMEX PART NBR	EMITTED COLOR		OPERATING CURRENT (mA)	OPERATING TYP Volts (V)	BRIGHTNESS		LED SERIES USED
	PEAK(nm)				TYP (mCD) @	mA	
SSI-LXH9ID	RED	635	10-25	2.1	15	20	SSL-LX5093XX
SSI-LXH9SRD	RED	660	10-25	1.7	70	20	SSL-LX5093XX
SSI-LXH9GD	GREEN	565	10-25	2.1	15	20	SSL-LX5093XX
SSI-LXH9YD	YELLOW	585	10-25	2.1	15	20	SSL-LX5093XX
BI-COLOR OPTION							
SSI-LXH9HGW	RED/GREEN	695/565	10-25	2.1	8/8	20	SSL-LX5093HGW
FIXED VOLTAGE OPTIONS							
SSI-LXH9ID-5V	RED	635	20 max.	5.0	12	5V	SSL-LX5093XX-5V
SSI-LXH9GD-5V	GREEN	565	20 max.	5.0	12	5V	SSL-LX5093XX-5V
SSI-LXH9YD-5V	YELLOW	585	20 max.	5.0	12	5V	SSL-LX5093XX-5V

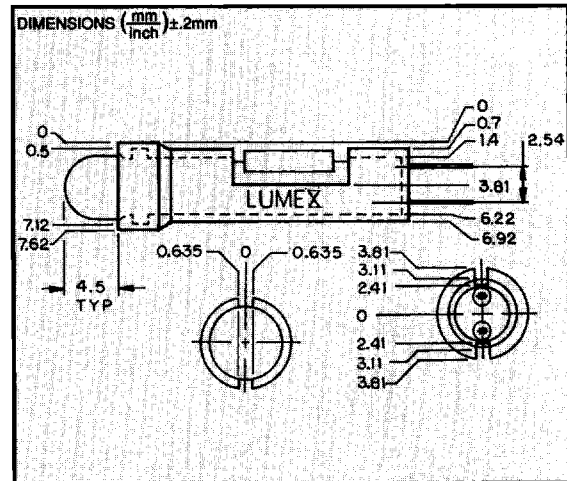
See pages 8 - 14 for Max. operating limits and operating curves



SSI-LXH17605 SERIES T-4.8mm PANEL HIGH VOLTAGE INDICATORS

LUMEX PART NBR	EMITTED COLOR		OPERATING CURRENT (mA)	OPERATING TYP Volts (V)	BRIGHTNESS		LED SERIES USED
	PEAK(nm)				TYP (mCD) @	mA	
SSI-LXH17605ID-24	RED	635	16	24	10	16	SSL-LX 4073XX
SSI-LXH17605GD-24	GREEN	565	16	24	10	16	SSL-LX 4073XX
SSI-LXH17605YD-24	YELLOW	585	16	24	10	16	SSL-LX 4073XX
SSI-LXH17605ID-48	RED	635	16	24	10	16	SSL-LX 4073XX
SSI-LXH17605GD-48	GREEN	565	16	24	10	16	SSL-LX 4073XX
SSI-LXH17605YD-48	YELLOW	585	16	24	10	16	SSL-LX 4073XX
BI-POLAR OPTIONS							
SSI-LXH17605IID-24	RED	635	16/16	24	10	16	SSL-LX 4073XX
SSI-LXH17605GGD-24	GREEN	565	16/16	24	10	16	SSL-LX 4073XX
SSI-LXH17605IID-48	RED	635	16/16	48	10	16	SSL-LX 4073XX
SSI-LXH17605GGD-48	GREEN	565	16/16	48	10	16	SSL-LX 4073XX

See pages 8 - 14 for Max. operating limits and operating curves



SSI-LXR4815 SERIES T-5mm METAL REFLECTOR INDICATOR

LUMEX PART NBR	EMITTED COLOR		OPERATING CURRENT (mA)	OPERATING TYP Volts (V)	BRIGHTNESS		LED SERIES USED
	PEAK(nm)				TYP (mCD) @	mA	
SSI-LXR4815ID-150	RED	635	10-25	2.1	20	20	SSL-LX5093XX
SSI-LXR4815SRD-150	RED	660	10-25	1.7	100	20	SSL-LX5093XX
SSI-LXR4815GD-150	GREEN	565	10-25	2.1	20	20	SSL-LX5093XX
SSI-LXR4815YD-150	YELLOW	585	10-25	2.1	20	20	SSL-LX5093XX
BI-COLOR OPTION							
SSI-LXR4815HGW-150	RED/GREEN	695/565	10-25	2.1	14/14	20	SSL-LX509HGW
FIXED VOLTAGE OPTIONS							
SSI-LXR4815ID-5V-150	RED	635	20 max.	5.0	15	5V	SSL-LX5093XX-5V
SSI-LXR4815GD-5V-150	GREEN	565	20 max.	5.0	15	5V	SSL-LX5093XX-5V
SSI-LXR4815YD-5V-150	YELLOW	585	20 max.	5.0	15	5V	SSL-LX5093XX-5V
BLINKING OPTION							
SSI-LXR4815BD-150	RED	635	10-20	3-15V	8	9V	SSL-LX5093BXX

See pages 8-14 for Max. operating limits and operating curves

