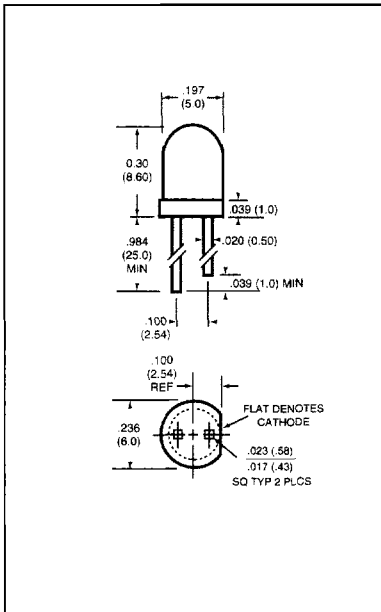
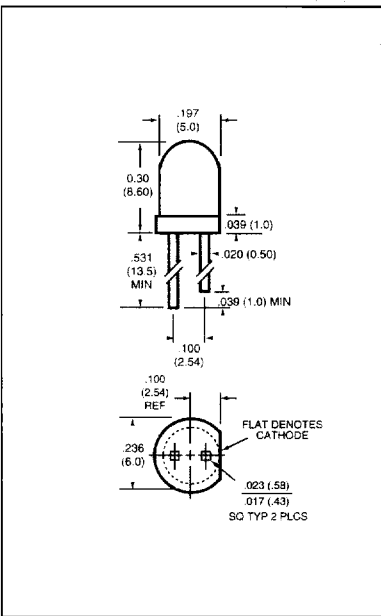


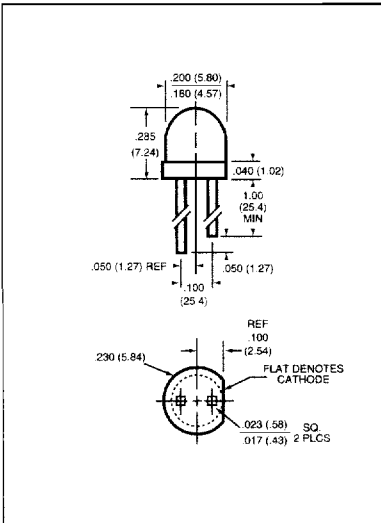
T-1 3/4 Wide Angle Diffused Lens										
Part Number	Source Color	Wave-length $\lambda_p$ (nm)	Lens Color	Typical Viewing Angle	Forward Voltage $V_F$ (V)		Luminous Intensity $I_V$ (mcd)		Notes	
					typ	max	min	typ		
MV5053		660	Red Diffused	70°	1.7	2.2	0.5	1.6	4	
MV6053		660	Red Diffused	70°	1.7	2.2	0.5	1.6	4	
MV5055		660	Red Diffused	150°	1.7	2.2	0.1	0.3	4	
HLMP-3300		635	Red Diffused	65°	2.2	3.0	2.0	3.5	3	
HLMP-3301		635	Red Diffused	65°	2.2	3.0	4.0	7.0	3	
MV5153		635	Amber Diffused	65°	2.0	3.0	3.0	15.0	4	
MV5753		635	Red Diffused	65°	2.0	3.0	3.0	15.0	4	
MV6153		635	Amber Diffused	65°	2.0	3.0	3.0	15.0	4	
MV6753		635	Red Diffused	65°	2.0	3.0	3.0	15.0	4	
MV5453		565	Green Diffused	65°	2.2	3.0	3.0	20.0	4	
MV64530		565	Green Diffused	65°	2.2	3.0	3.0	20.0	4	
MV64531		565	Green Diffused	65°	2.2	3.0	7.0	20.0	4	
MV5353	Yellow	585	Yellow Diffused	65°	2.1	3.0	2.5	15.0	4	
MV6353	Yellow	585	Yellow Diffused	65°	2.1	3.0	2.5	15.0	4	
HLMP-D101A		660	Red Diffused	65°	1.8	2.2	35.0	70.0	4	
HLMP-D600		560	Green Diffused	60°	2.1	2.7	1.0	3.0	3	
HLMP-D400		612	Orange Diffused	60°	1.9	2.4	2.1	3.5	3	
HLMP-D401		612	Orange Diffused	60°	1.9	2.3	4.0	7.0	3	



T-1 3/4 Industrial Standard Lamp - Long Leads										
Part Number	Source Color	Wave-length $\lambda_p$ (nm)	Lens Color	Typical Viewing Angle	Forward Voltage $V_F$ (V)		Luminous Intensity $I_V$ (mcd)		Notes	
					typ	max	min	typ		
QL332GD		565	Green Diffused	45°	2.1	2.8	2.0	10.0	3	
QL332HD		697	Red Diffused	45°	2.1	2.8	1.0	2.0	3	
QL332ID		635	Red Diffused	45°	2.0	2.8	2.5	10.0	3	
QL332YD	Yellow	585	Yellow Diffused	45°	2.0	2.8	2.0	10.0	3	
QL332GC		565	Green Clear	20°	2.1	2.8	1.5	8.0	3	
QL332HC		697	Red Clear	20°	2.1	2.8	2.5	10.0	3	
QT332IC		635	Red Clear	20°	2.0	2.8	10.0	30.0	3	
QL332YC	Yellow	585	Yellow Clear	20°	2.0	2.8	25.0	40.0	3	



T-1 3/4 Industrial Standard Lamp - Short Leads									
Part Number	Source Color	Wave-length $\lambda_p$ (nm)	Lens Color	Typical Viewing Angle	Forward Voltage $V_F$ (V)		Luminous Intensity $I_V$ (mcd)		Notes
					typ	max	min	typ	
QL335GD		565	Green Diffused	45°	2.1	2.8	2.0	10.0	3
QL335HD		697	Red Diffused	45°	2.1	2.8	1.0	2.0	3
QL335ID		635	Red Diffused	45°	2.0	2.8	2.5	10.0	3
QL335YD	Yellow	585	Yellow Diffused	45°	2.0	2.8	2.0	10.0	3
QL335GC		565	Green Clear	20°	2.1	2.8	1.5	8.0	3
QL335HC		697	Red Clear	20°	2.1	2.8	2.5	10.0	3
QT335IC		635	Red Clear	20°	2.0	2.8	10.0	30.0	3
QL335YC	Yellow	585	Yellow Clear	20°	2.0	2.8	25.5	40.0	3



T-1 3/4 Low Profile Lens									
Part Number	Source Color	Wave-length $\lambda_p$ (nm)	Lens Color	Typical Viewing Angle	Forward Voltage $V_F$ (V)		Luminous Intensity $I_V$ (mcd)		Notes
					typ	max	min	typ	
FLV110		660	Red Diffused	60°	1.6	2.0	0.8	3.0	3

**Notes**

- 3.  $V_F$  &  $I_V$  @  $I_F= 10$  mA
  - 4.  $V_F$  &  $I_V$  @  $I_F= 20$  mA
- HER = High Efficiency Red