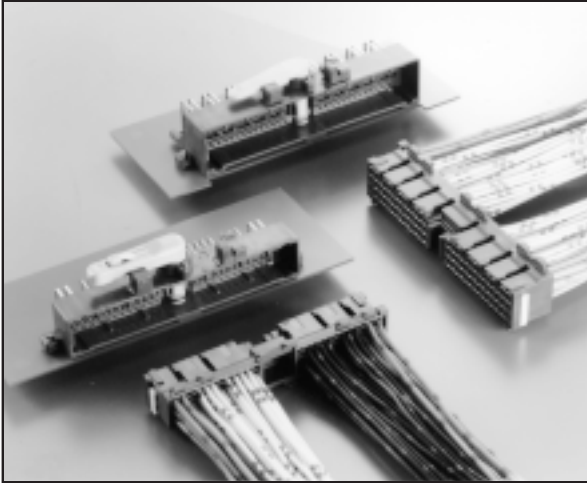


MX6 SERIES AUTOMOTIVE CONNECTORS

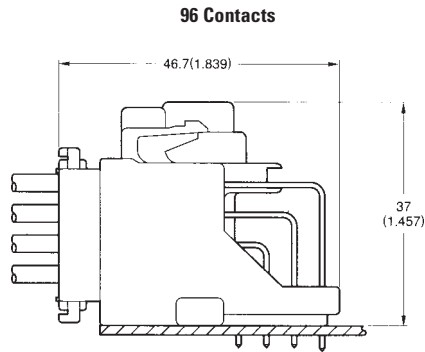
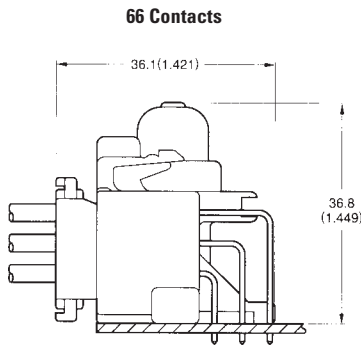
040/060 Contacts, ZIF-Type, PCB-to-Cable Applications



FEATURES

- Designed for state-of-the-art interconnections for automotive electronic equipment
- Signal contacts (5 Amps) and power contacts (9 Amps) are housed in the same connector
- Designed for high density packaging with numerous contacts such as in an engine control unit
- ZIF (zero insertion force) design
- Positive contact engagement
- Double locking mechanism avoids contact dislodging
- Highly reliable socket contacts
- Simplified crimp-type termination

Connector Profile (Ref.)



GENERAL SPECIFICATIONS

Number of Contacts	66, 96
Contact Spacing	Signal: 3.4mm (.134") Power: 4.0mm (.157")
Current Rating	Signal: 5 Amps, Power: 9 Amps
Dielectric Withstanding Voltage	1000 VAC r.m.s. (for one minute)
Insulation Resistance	100 megohms min.
Contact Resistance	10 milliohms max.
Applicable PCB Thickness	1.6 to 2.4mm (.063 to .094")
Operating Temperature	-40°C to +90°C

APPLICABLE WIRE (Stranded)

Contact Type	Signal	Power
Wire Type (JIS)	AVS	AVS
AWG No.	#22 to #18	#18 to #14
Conductor Cross Section Area	0.3 to 0.85mm ²	0.85 to 2.0mm ²
Insulation Outer Dia.	1.4 to 2.4mm (.055 to .094")	2.0 to 3.0mm (.079 to .118")

MATERIALS AND FINISHES

Description	Materials/Finishes
Insulator	PBT (Gray)
Signal Contact	High conductive Copper Alloy/Tin plating or Gold (connecting area) with Solder (SnPb • terminal area) plating over Nickel
Power Contact	High conductive Copper Alloy/Tin plating
Cam Shaft	PPS (Beige)
Retainer	PBT (White)

Dimensions and specifications subject to change without notice.

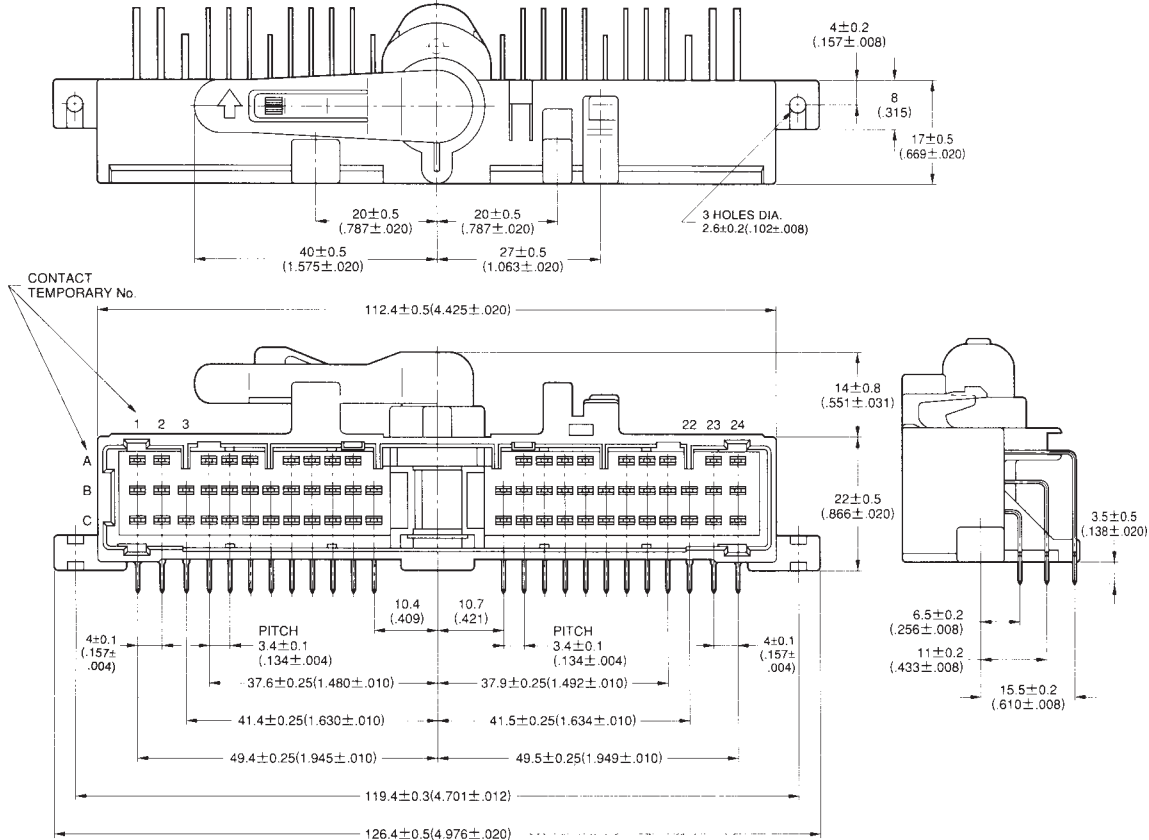
MX6 SERIES AUTOMOTIVE CONNECTORS

040/060 Contacts, ZIF-Type, PCB-to-Cable Applications

RIGHT ANGLE PIN HEADER

66 Contacts (Signal/50 Positions, Power/16 Positions)

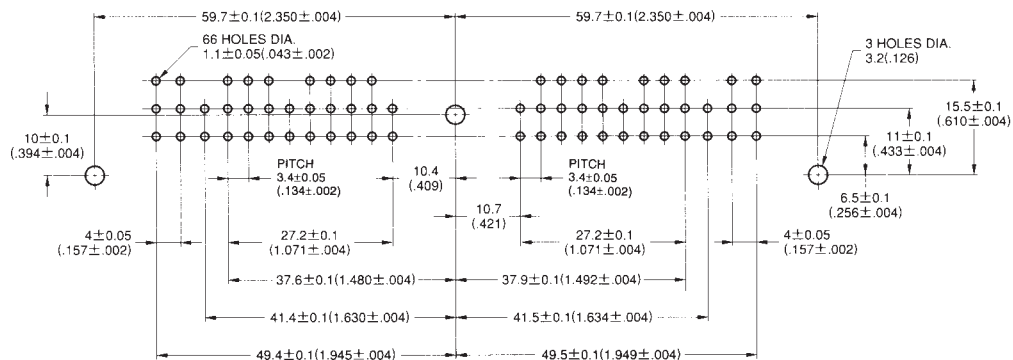
Part Number: MX6-Z66P-LA



CONTACT POSITIONS (Temporary Number)

Finishes	Connecting Area/Gold Plating Terminal Area/SnPb Plating	Tin Plating
Power	—	A: 1, 2, 23, 24 B & C: 1, 2, 3, 22, 23, 24
Signal	A: 14-17, 19-21 B: 13-21 C: 13-21	A: 4-6, 8-11 B: 4-12 C: 4-12

PCB Hole Pattern (Ref.)



Note: Suggested screws:
M3 tapping screws (2 grade) per JIS B 1115, 1122 or 1123.

Dimensions in mm (inches).



MX6 SERIES AUTOMOTIVE CONNECTORS

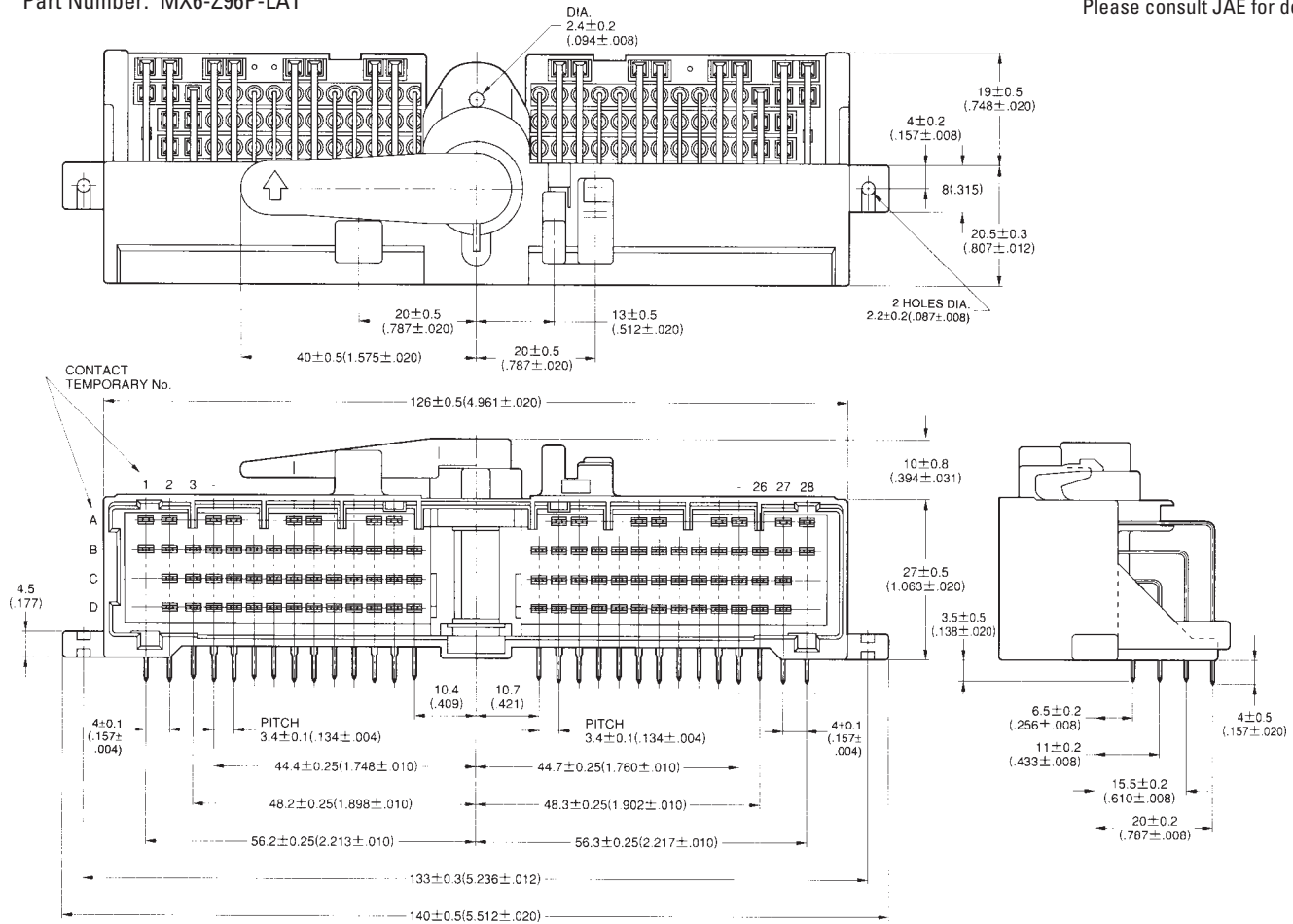
040/060 Contacts, ZIF-Type, PCB-to-Cable Applications

RIGHT ANGLE PIN HEADER

96 Contacts (Signal/78 Positions, Power/18 Positions)

Part Number: MX6-Z96P-LA1

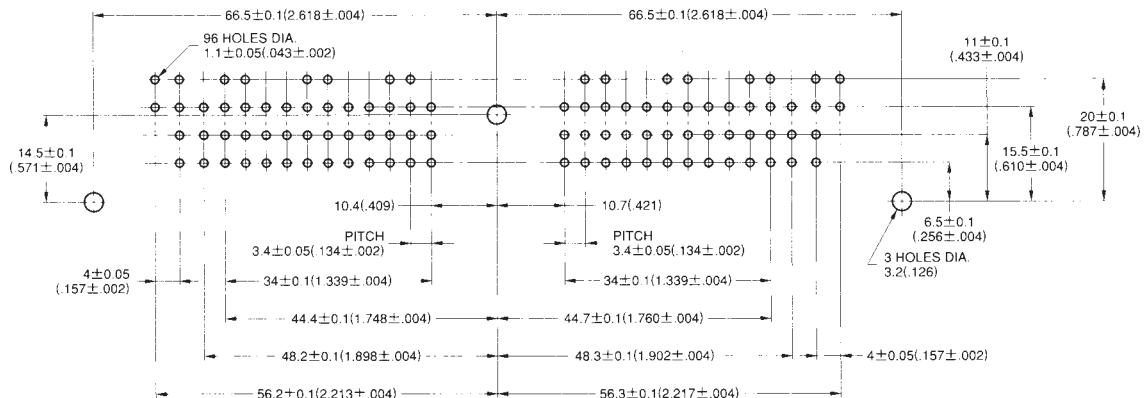
Note: Mounting holes of 3.2mm (.126") in diameter are also available. Please consult JAE for details.



CONTACT POSITIONS (Temporary Number)

Finishes	Connecting Area/Gold Plating Terminal Area/SnPb Plating	Tin Plating
Power	—	A: 1, 2, 27, 28 B: 1, 2, 3, 26, 27, 28 C & D: 2, 3, 26, 27
Signal	A: 16, 17, 20, 21, 24, 25 B: 15-25	A: 4, 5, 8, 9, 12, 13 B: 4-14 C & D: 4-25

PCB Hole Pattern (Ref.)



Note: Suggested screws: M3 tapping screws (2 grade) per JIS B 1115, 1122 or 1123.

Dimensions in mm (inches).

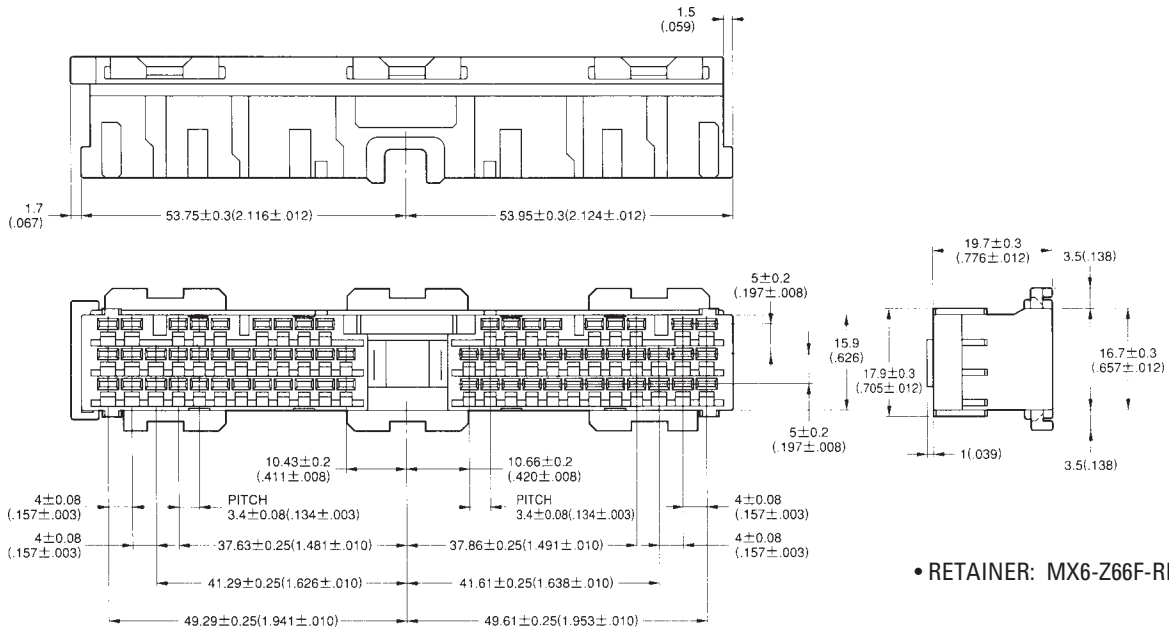
MX6 SERIES AUTOMOTIVE CONNECTORS

040/060 Contacts, ZIF-Type, PCB-to-Cable Applications

SOCKET HOUSING

66 Contacts

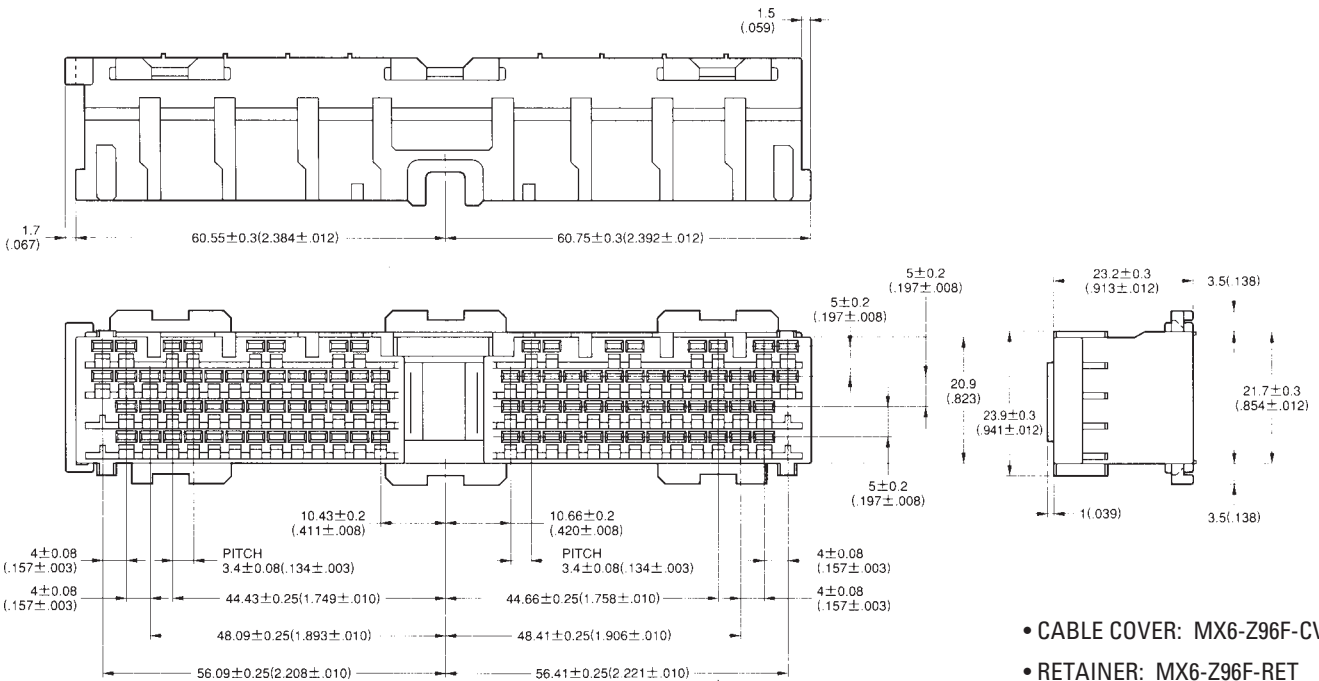
Part Number: MX6-Z66F



• RETAINER: MX6-Z66F-RET

96 Contacts

Part Number: MX6-Z96F



• CABLE COVER: MX6-Z96F-CV

• RETAINER: MX6-Z96F-RET

Dimensions in mm (inches).

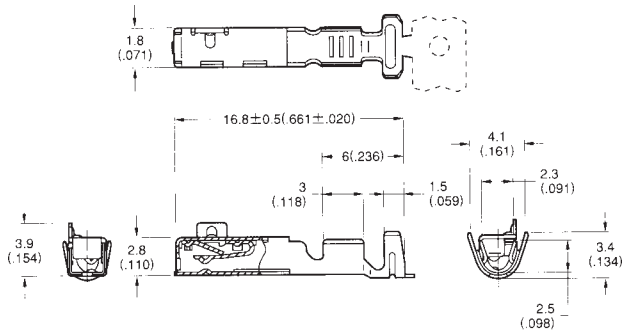


MX6 SERIES AUTOMOTIVE CONNECTORS

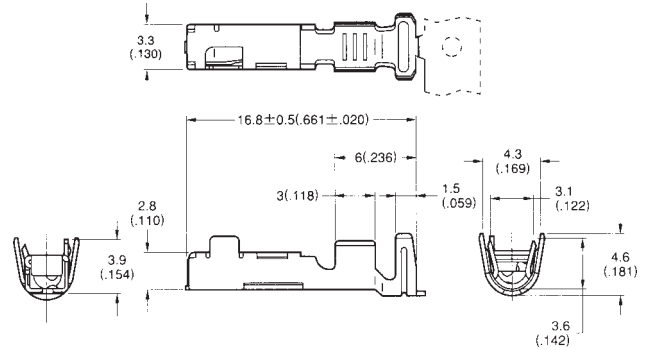
040/060 Contacts, ZIF-Type, PCB-to-Cable Applications

SOCKET CONTACT (CRIMP TYPE)

Signal Socket Contact (5 Amps)



Power Socket Contact (9 Amps)



Type	Part Number (Note 1)	Finish (Note 2)	Applicable Wire (Stranded)				Applicable Tool	
			Type	AWG No.	Conductor Cross Section Area	Insulation Outer Dia.	Hand Crimp	Semi-Auto CT350-2 type
Signal	MX6-ZC2-A-3200	a	AVS	#22 to #18	0.3 to 0.85mm ²	1.4 to 2.4mm (.055 to .094")	CT160-3-MX6	Applicator: 350-MX62-2 Press: CP210-1B
	MX6-ZC2-S-3200	b						
Power	MX6-ZC1-S-2600	b	AVS	#18 to #14	0.85 to 2.0mm ²	2.0 to 3.0mm (.079 to .118")	CT160-3B-MX6	Applicator: 350-MX61-2 Press: CP210-1B

Note 1: The figures following the Part No. (-3200, -2600) indicate the number of contacts per magazine assembly reel.

Note 2: Contact finishes:

- a-Gold (connecting area) with Solder (SnPb • terminal area) plating over Nickel.
- b-Tin plating

Dimensions in mm (inches).