

## ■ APPLICATION

PDA, notebook, desktop, and server applications  
Low profile, high current power supplies  
Battery powered devices  
DC/DC converters in distributed power systems  
DC/DC converters for field programmable gate array

## ■ FEATURES

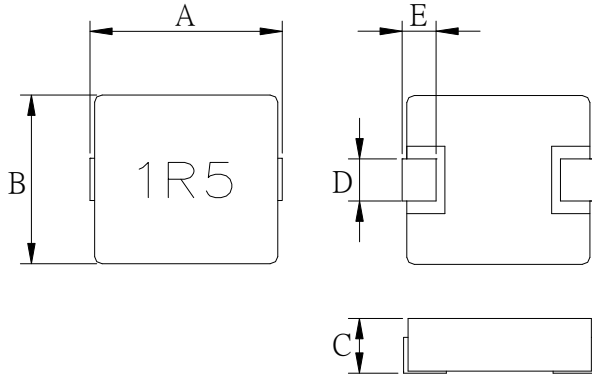
RoHS compliant  
Super low resistance, ultra high current rating  
High performance (I sat) realized by metal dust core  
Frequency Range: up to 1MHz

## ■ PRODUCT IDENTIFICATION

①      ②      ③ ④    ⑤  
MMD - 05CZ - 1R5 M - X2

- ① Product Code
- ② Dimensions : 5.3 x 4.7 x 3.0 mm
- ③ Inductance : 1R5 = 1.5  $\mu$  H
- ④ Tolerance : M =  $\pm$ 20%
- ⑤ Series Type : X2 Type

## PRODUCT DIMENSION



NOTE : Dimensions in mm

PRODUCT NO.	A	B	C	D	E
MMD-05CZ-SERIES-X2	5.3 Max	4.7 ± 0.2	3.0 Max	2.0 ± 0.2	1.0 ± 0.3

## ELECTRICAL REQUIREMENTS

PART NUMBER	INDUCTANCE Lo (μH) ±20% @0A	R <sub>dc</sub> (mΩ)		HEAT RATING CURRENT (I <sub>dc</sub> ) DC AMPS <sup>1</sup>	SATURATION CURRENT (I <sub>sat</sub> ) DC AMPS <sup>2</sup>
		Typ.	Max		
MMD-05CZ-1R0M-X2	1.0	13	14	7	11
MMD-05CZ-1R5M-X2	1.5	20	25	6	10
MMD-05CZ-2R2M-X2	2.2	29	35	5.5	9
MMD-05CZ-3R3M-X2	3.3	32	38	5	7
MMD-05CZ-4R7M-X2	4.7	50	60	4.6	6

TEST FREQUENCY: 100 KHz, 0.25V

TESTING INSTRUMENT L : Agilent4284A, WK4235, CH3302/G LCR METER

CH1320, CH1320S BIAS CURRENT SOURCE

R<sub>dc</sub> : CH11025, GOM802 MICRO OHMMETER

### NOTES:

1. DC current (I<sub>dc</sub>) that will cause an approximate ΔT of 40°C
2. DC current (I<sub>sat</sub>) that will cause Lo to drop approximately 30%
3. All test data is referenced to 25°C ambient
4. Operating Temperature Range -55°C to +150°C

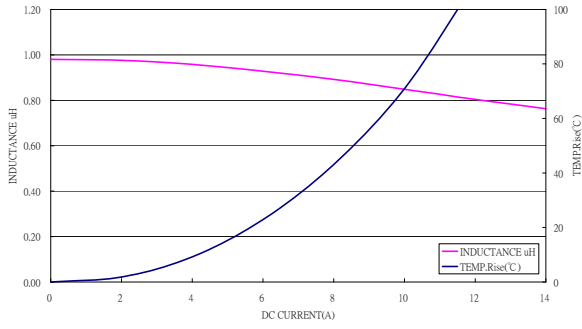


**MAG.LAYERS**

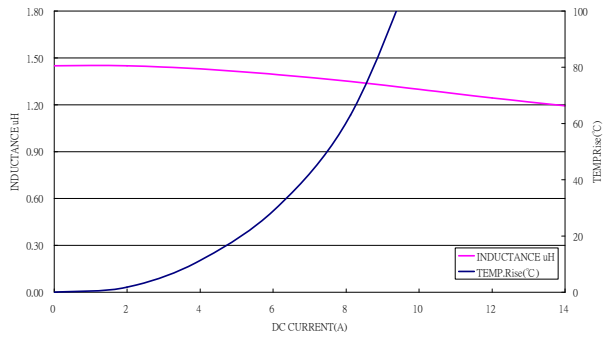
---

**MMD-05CZ-SERIES-X2**

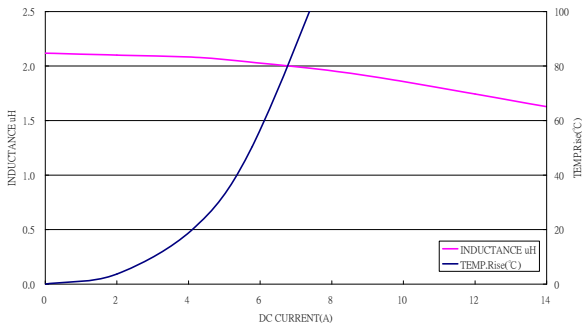
MMD-05CZ-1R0M-X2



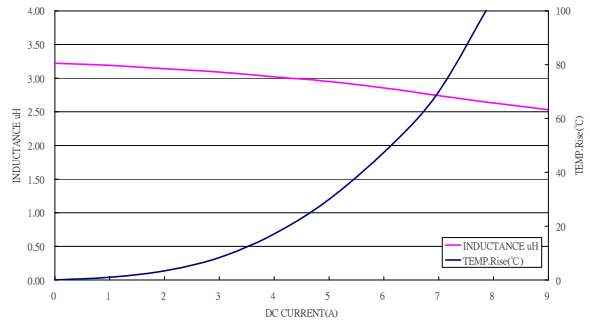
MMD-05CZ-1R5M-X2



MMD-05CZ-2R2M-X2



MMD-05CZ-3R3M-X2



MMD-05CZ-4R7M-X2

