

Technical Data
Data Sheet 3645, Rev. -

Surface Mount Device LED

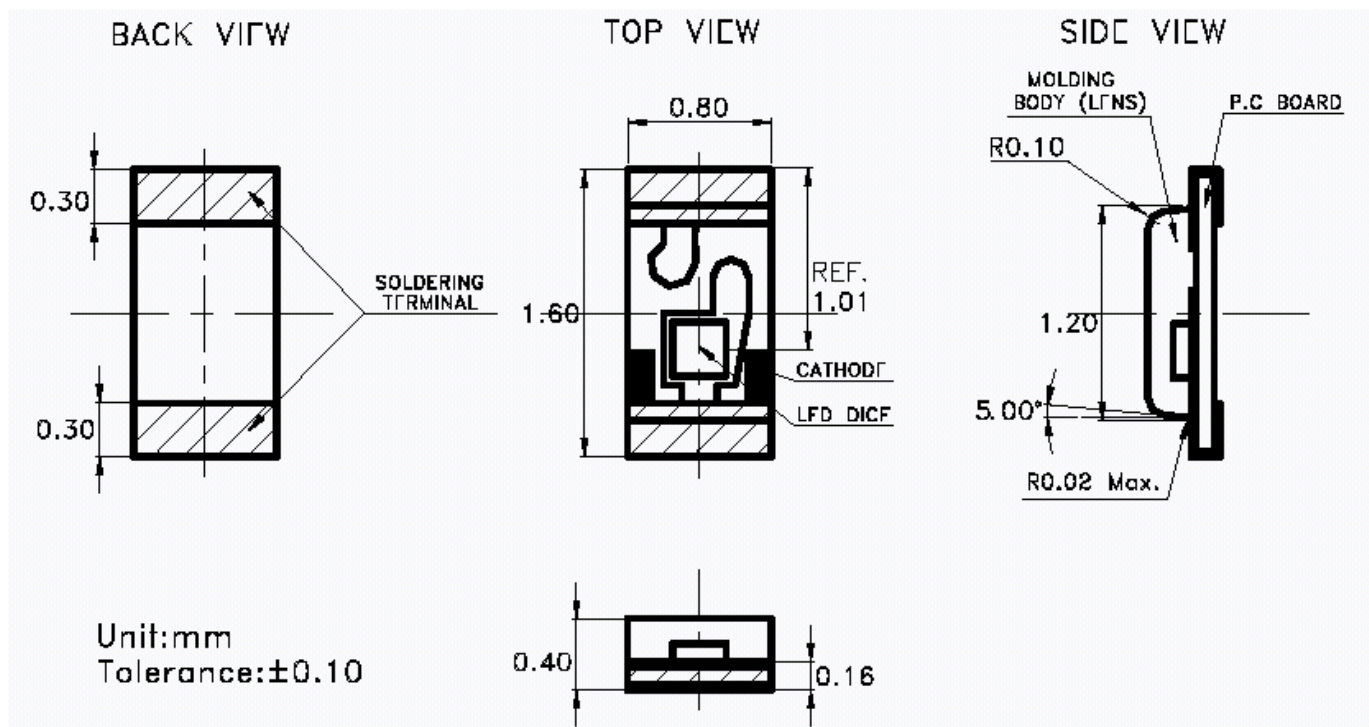
Features:

- Top view, wide view angle, single color chip LED.
- Compatible with automatic Pick & Place equipment.
- Compatible with Infrared and Wave soldering reflow solder processes.
- EIA STD package.

Ordering Information:

- Package in 8mm tape on 7" diameter reels.
- Tape quantity: 5000 pcs per reel with part number suffix "-T1"

Mechanical Dimensions: In mm



Notes:

1. All dimensions are in millimeters.
2. Tolerance is ± 0.1 mm (.004") unless otherwise specified.

Technical Data
Data Sheet 3645, Rev. -

Absolute Maximum Ratings (T_A = 25 °C)

Parameter	Symbol	Parameters	Unit
Power Dissipation	P _{AD}	75	mW
Peak Forward Current (1/10 Duty Cycle, f = 1kHz)	I _{PF}	80	mA
Continuous Forward Current	I _{AF}	30	mA
Reverse Voltage	V _R	5	V
Derating Linearly from 25 °C	-	0.25	mA/°C
Electrostatic Discharge Threshold(HBM) ^{Note A}	ESD	2000	V
Operating Temperature Range	T _{opr}	-40 ~ +85	°C
Storage Temperature Range	T _{stg}	-40 ~ +85	°C
Wave Soldering Condition (Two times Max)	-	260 (for 5 seconds)	°C
Infrared Soldering Condition (Two times Max)	-	240 (for 5 seconds)	°C

Note A:

HBM: Human Body Model. Seller gives no other assurances regarding the ability of to withstand ESD.

Electro-Optical Characteristic (T_A = 25 °C)

Parameter	Symbol	Parameters	Unit
Chip Material	-	A1InGaP	-
Light Color	-	Super Yellow	-
Lens Color	-	Water Clear	-
Luminous Intensity @I _F = 20 mA	I _v	60.0 (Typ.) 25.0 (Min)	mcd
Viewing Angle Typical @I _F = 20 mA	2θ _{1/2}	130	Degree
Peak Emission Wavelength	λ _p	591	nm
Dominant Wavelength @I _F = 20 mA	λ _D	590	nm
Spectral Line Half-Width @I _F = 20 mA	Δλ	16	nm
Forward Voltage @I _F = 20 mA	V _F	2.4 (Max) 2.0 (Typ.)	V
Max. Reverse Current @ 5V	I _R	100	μA

TECHNICAL DATA

DISCLAIMER:

- 1- The information given herein, including the specifications and dimensions, is subject to change without prior notice to improve product characteristics. Before ordering, purchasers are advised to contact the Sensitron Semiconductor sales department for the latest version of the datasheet(s).
- 2- In cases where extremely high reliability is required (such as use in nuclear power control, aerospace and aviation, traffic equipment, medical equipment, and safety equipment), safety should be ensured by using semiconductor devices that feature assured safety or by means of users' fail-safe precautions or other arrangement.
- 3- In no event shall Sensitron Semiconductor be liable for any damages that may result from an accident or any other cause during operation of the user's units according to the datasheet(s). Sensitron Semiconductor assumes no responsibility for any intellectual property claims or any other problems that may result from applications of information, products or circuits described in the datasheets.
- 4- In no event shall Sensitron Semiconductor be liable for any failure in a semiconductor device or any secondary damage resulting from use at a value exceeding the absolute maximum rating.
- 5- No license is granted by the datasheet(s) under any patents or other rights of any third party or Sensitron Semiconductor.
- 6- The datasheet(s) may not be reproduced or duplicated, in any form, in whole or part, without the expressed written permission of Sensitron Semiconductor.
- 7- The products (technologies) described in the datasheet(s) are not to be provided to any party whose purpose in their application will hinder maintenance of international peace and safety nor are they to be applied to that purpose by their direct purchasers or any third party. When exporting these products (technologies), the necessary procedures are to be taken in accordance with related laws and regulations.