

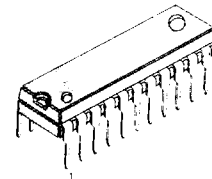
DUAL PRE-POWER AMPLIFIER AND DC MOTOR SPEED CONTROLLER

The KA22135 is a monolithic integrated circuit designed for use in low voltage and low power applications. It has all functions including a dual audio pre-power amplifier and motor speed controller in a single chip. It is suitable for portable tape recorders, head phone cassette tape recorders or battery-powered radios.

FEATURES

- Low current consumption in a operating voltage range.
- Wide operating supply voltage range; $V_{CC} = 2V \sim 7.5V$.
- Only a few components to build headphone cassette tape recorders.
- Dual audio pre-power amplifier and motor speed controller in a single chip.
- Reduced input and output coupling capacitors because of 1/2 V_{CC} AMP adaption on chip as AC GND.

22 SDIP



ORDERING INFORMATION

Device	Package	Operating Temperature
KA22135	22 SDIP	-20°C ~ +70°C

BLOCK DIAGRAM

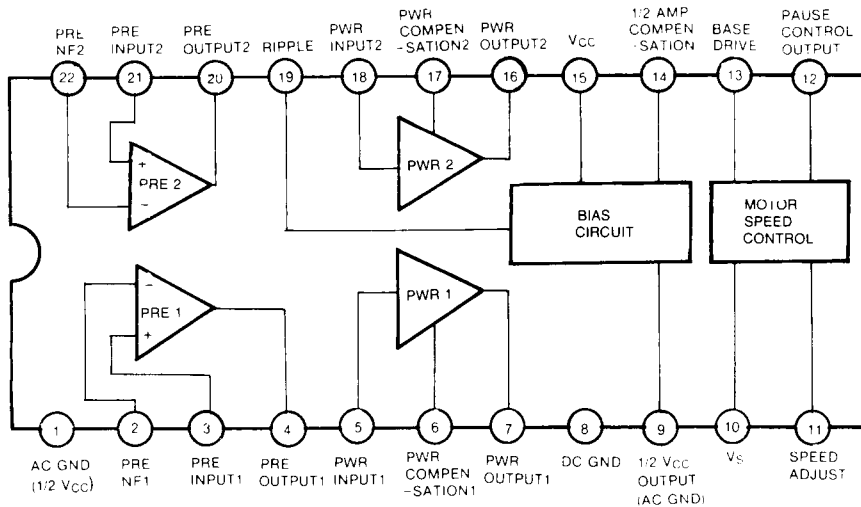


Fig. 1

ABSOLUTE MAXIMUM RATINGS (Ta = 25°C)

Characteristic	Symbol	Value	Unit
Supply Voltage	V _{CC}	10	V
Power Dissipation	P _D	600	mW
Operating Temperature	T _{OPR}	- 20 ~ + 70	°C
Storage Temperature	T _{STG}	- 40 ~ + 125	°C

ELECTRICAL CHARACTERISTICS (Ta = 25°C)

Characteristic	Symbol	Test Conditions	Min	Typ	Max	Unit
Quiescent Circuit Current	I _{CCQ}	V _{CC} = 3V, V _i = 0, I _M = 0mA		15	25	mA

PRE AMPLIFIER SECTION

(Ta = 25°C, V_{CC} = 3V, f = 1KHz, R_{L1} = 10KΩ, unless otherwise specified)

Characteristic	Symbol	Test Conditions	Min	Typ	Max	Unit
Open Loop Voltage Gain	G _{VO}	V _O = - 10dBm, R _L = ∞		72		dB
Closed Loop Voltage Gain	G _{VC}	V _O = - 10dBm	40	42	44	dB
Output Voltage	V _O	THD = 1%	0.35	0.6		V
Total Harmonic Distortion	THD	V _O = 400mV		0.05	0.5	%
Output Noise Voltage	V _{NO}	V _i = 0, R _G = 2.2KΩ BW(- 3dB) = 30Hz ~ 20KHz		70	300	μV
Input Resistance	R _I	V _O = - 10dBm	18	22		KΩ
Cross Talk	CT	R _G = 2.2KΩ, V _O = - 10dBm	45	62		dB

POWER AMPLIFIER SECTION

(Ta = 25°C, V_{CC} = 3V, f = 1KHz, R_{L2} = 32Ω, unless otherwise specified)

Characteristic	Symbol	Test Conditions	Min	Typ	Max	Unit
Closed Loop Voltage Gain	G _{VC}	P _O = 5mW	26	28	30	dB
Output Power	P _O	THD = 10%	20	28		mW
Total Harmonic Distortion	THD	P _O = 5mW		0.2	2.0	%
Output Noise Voltage	V _{NO}	R _G = 10KΩ, BW(- 3dB) = 30Hz ~ 20KHz		0.25	1.0	mV
Input Resistance	R _I	P _O = 5mW	10	20		KΩ
Cross Talk	CT	P _O = 5mW, R _G = 10KΩ	35	50		dB

TEST METHOD

TEST ITEM		SWITCH	SW1 A/B	SW2 A/B	SW3 A/B	SW4 A/B	SW5 A/B	SW6 A/B	SW7	SW8
I _{CCQ}			1	2	1	1	2	1	1	2
Pre-Amplifier	CH1 G _{VO}		"	1	2	2	"	"	"	"
	CH1 G _{VC}		"	"	1	1	"	"	"	"
	CH1 V _O		"	"	"	"	"	"	"	"
	CH1 THD		"	"	"	"	"	"	"	"
	CH1 V _{NO}		"	2	"	"	"	"	"	"
	CH1 R _i		2	1	"	"	"	"	"	"
	CH2 G _{VO}		1	2	"	"	"	"	"	"
	CH2 G _{VC}		"	"	"	"	"	"	"	"
	CH2 V _O		"	"	"	"	"	"	"	"
	CH2 THD		"	"	"	"	"	"	"	"
	CH2 V _{NO}		"	"	"	"	"	"	"	"
	CH2 R _i		"	"	"	"	"	"	"	"
	CT ₁ (2→1)		"	"	"	"	"	"	"	"
	CT ₂ (1→2)		"	1	"	"	"	"	"	"
Power-Amplifier	CH1 G _V		"	2	"	"	"	"	"	"
	CH1 P _O		"	"	"	"	"	"	"	"
	CH1 THD		"	"	"	"	"	"	"	"
	CH1 V _{NO}		"	"	"	"	2	"	"	"
	CH1 R _i		"	"	"	"	1	2	"	"
	CH2 G _V		"	"	"	"	2	1	"	"
	CH2 P _O		"	"	"	"	"	"	"	"
	CH2 THD		"	"	"	"	"	"	"	"
	CH2 V _{NO}		"	"	"	"	"	"	"	"
	CH2 R _i		"	"	"	"	"	"	"	"
	CT ₁ (2→1)		"	"	"	"	"	"	"	"
CT ₂ (1→2)		"	"	"	"	1	"	"	"	
M.S.C	I _B		"	"	"	"	2	"	2	1
	V _{REF}		"	"	"	"	"	"	1	"
	ΔV _{REF}		"	"	"	"	"	"	"	"
	K		"	"	"	"	"	"	"	"
	ΔK		"	"	"	"	"	"	"	"

APPLICATION CIRCUIT

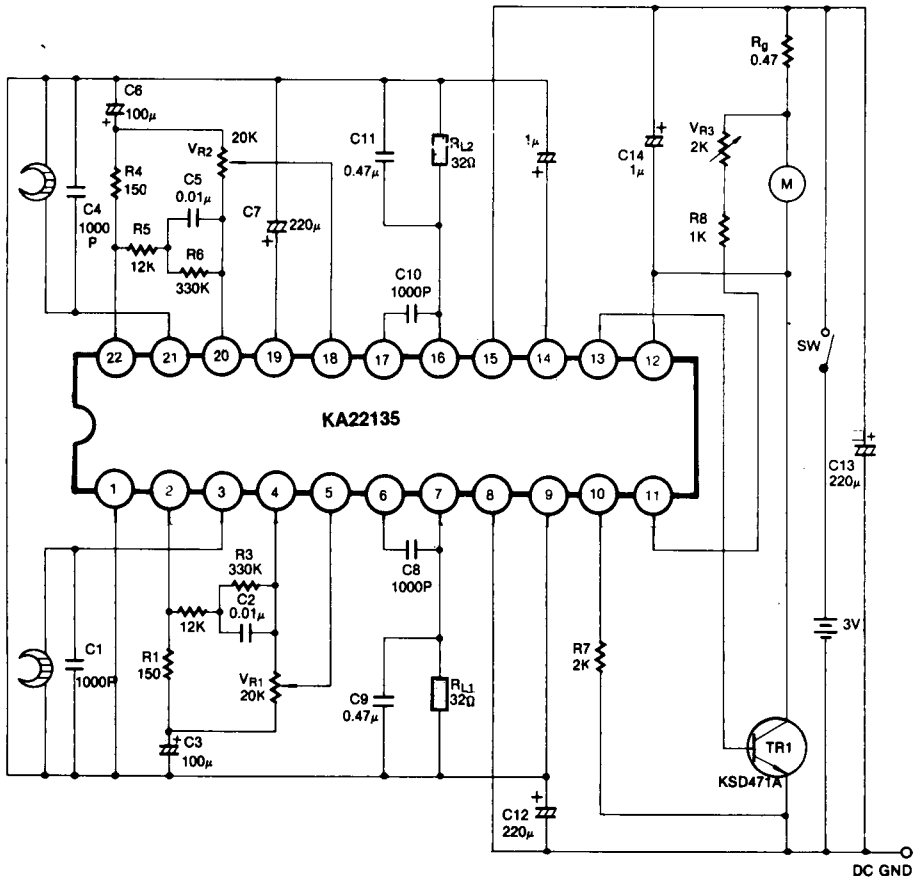


Fig. 3

- Note: 1. For C12, use a capacitor of Low TANδ
 2. For C9 and C11, use solid state capacitors with better characteristics at low temperature
 3. Locate C7 just around the emitter TR1, KSD471A.