

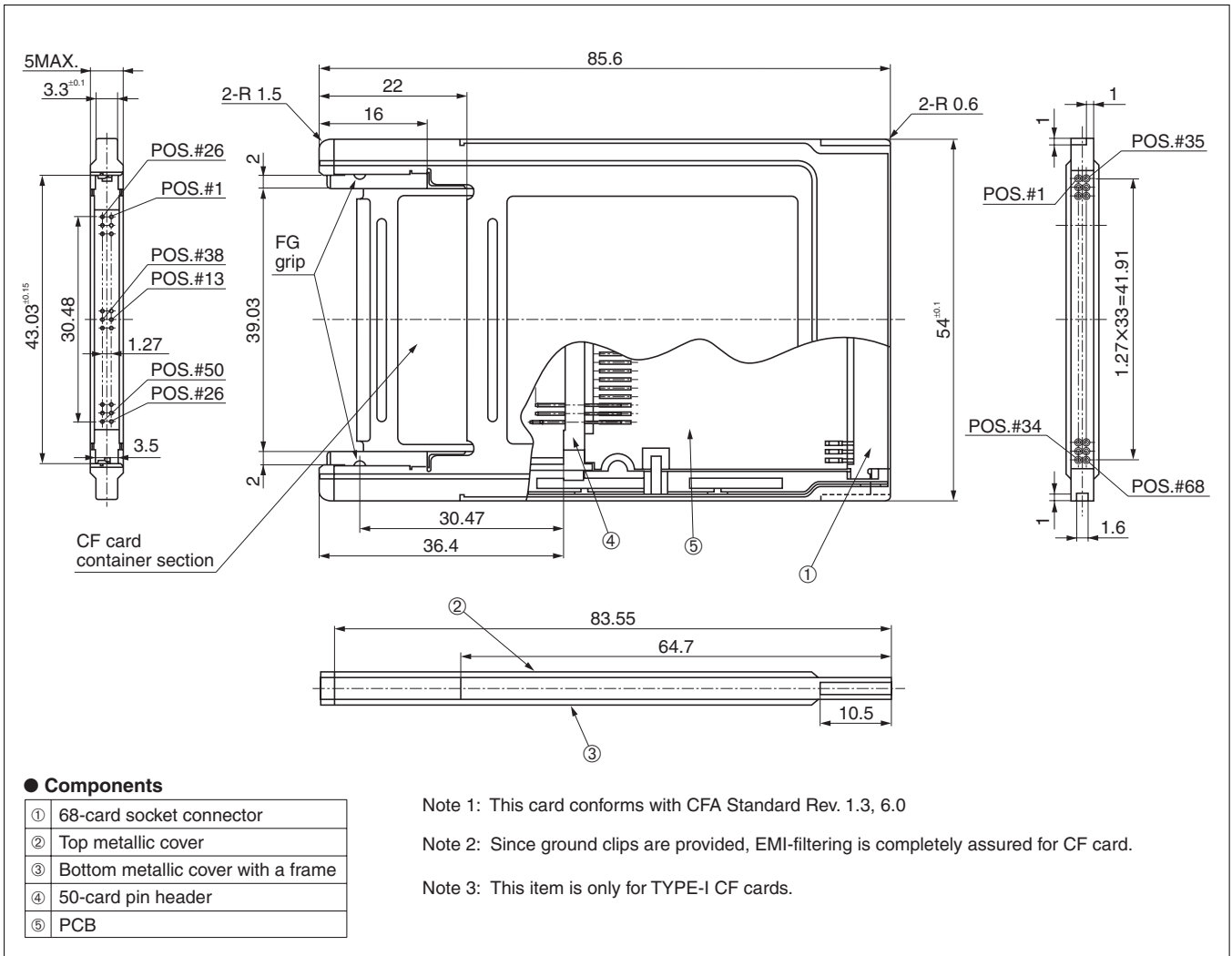
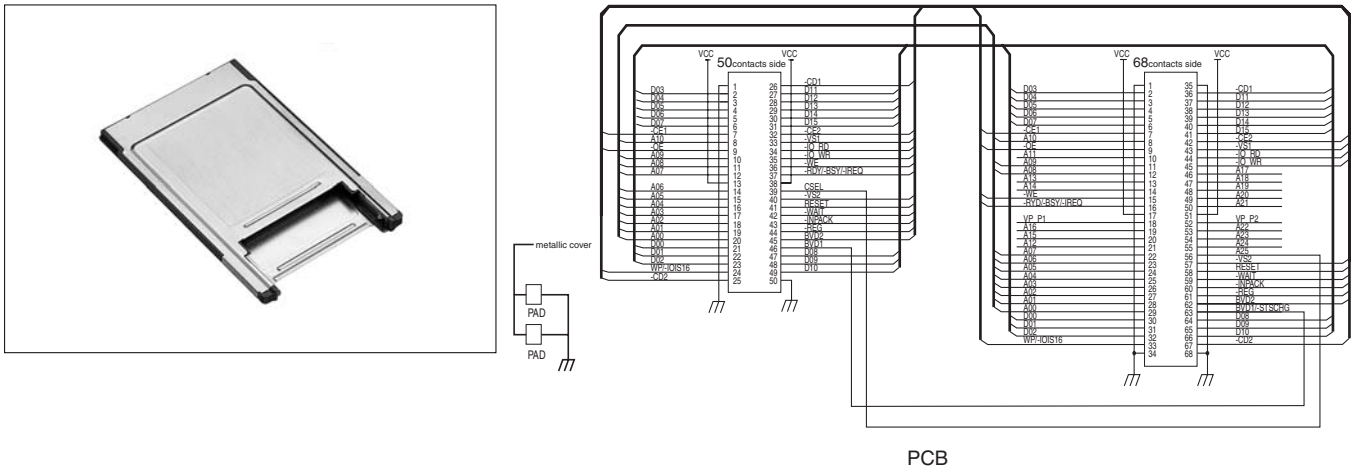
# Adaptor card for TYPE I CF/PC ICM-C68Z2-AD50CF1G

**CF/PC adapter card**

**For TYPE I CF cards**

**Conforming to CFA standard**

**Conforming to PCMCIA/JEITA standards**



● **Components**

- ① 68-card socket connector
- ② Top metallic cover
- ③ Bottom metallic cover with a frame
- ④ 50-card pin header
- ⑤ PCB

Note 1: This card conforms with CFA Standard Rev. 1.3, 6.0

Note 2: Since ground clips are provided, EMI-filtering is completely assured for CF card.

Note 3: This item is only for TYPE-I CF cards.