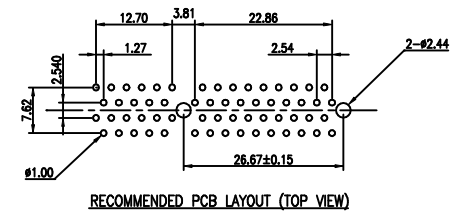
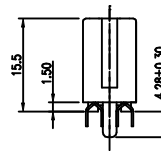
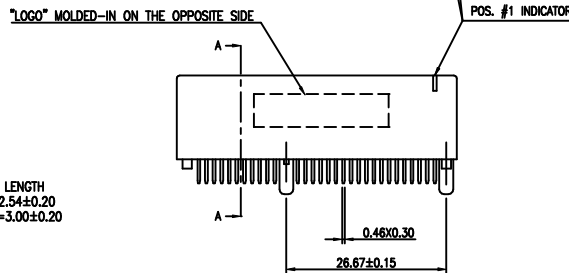
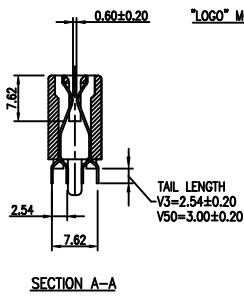
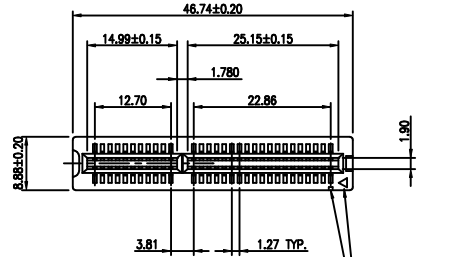


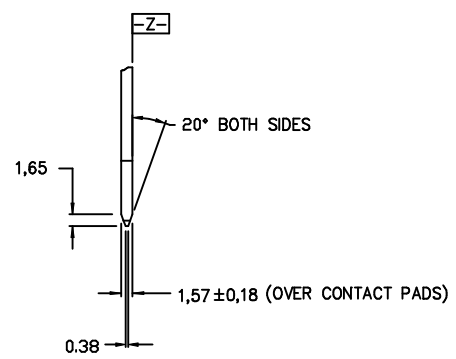
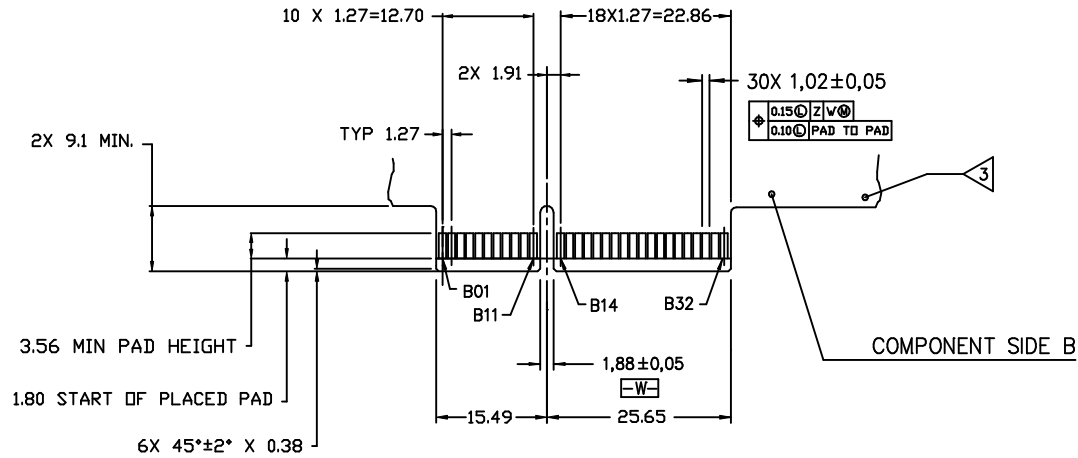
PART NUMBER
SEE SHEET 3



(NOTE 6): PRINTED CONFIGURATION

mat'l. code		tolerances unless otherwise specified		CUSTOMER COPY		 www.fciconnect.com	
itr	ecr no	dr	date	linear	.X ± 0.30	projection	title CNR CARD EDGE CONNECTOR CEE2X30S-V_Z58NS
A	T2022#5	J H	1/16/03*	angles	.XX ± 0.20	 MM	
					.XXX ± 0.10		scale
				dr	ANGLES ±2°	1 : 1	code
				enrg	JASON HSU 1/16/03*	A3	TWN
				chr	JASON HSU 1/16/03*		size
				appd	STERLING LIN 1/16/03*		dwg no
					JAMES HSU 1/16/03*		10016456
sheet index	revision sheet	A	A	A			sheet 1 of 3
		1	2	3			

All rights are reserved. Reproduction or use in any form without the written permission of FCI is prohibited. Copyright © 2003 FCI.



TYPICAL CARD EDGE PROFILE

mat'l. code		tolerances unless otherwise specified		CUSTOMER COPY		 www.fciconnect.com	
ltr	ecn no	dr	date	linear	.X ± 0.30	projection	title
A					.XX ± 0.20		
				angles	.XXX ± 0.10	MM 	product family PCI size dwg no
				dr	ANGLES ±2°		
				enr	JASON HSU 1/16/03'	code TWN	
				chr	STERLING LIN 1/16/03'		sheet 2 of 3
				ppd	JAMES HSU 1/16/03'		
sheet index	revision sheet						

NOTES UNLESS OTHERWISE SPECIFIED.

1. INTERPRET THIS DRAWING IN ACCORDANCE WITH ANSI Y14.5M-1982
2. SEE SHEET 1, 2 FOR RECOMMENDED MATING DAUGHTERCARD AND MOTHERBOARD LAYOUTS.
3. MATING DAUGHTERBOARD MATERIAL:
 PC BOARD FR-4 WITH 1 OZ[28.35 GRAMS] MIN. COPPER PADS
 PAD PLATING 30 MICROINCHES [0.76 MICRONS] MIN. GOLD PER MIL-G-45204. TYPE 1 CLASS 1, GRADE C OVER 100 MICROINCHES[2.54 MICRONS] MIN. NICKEL PER QQ-N-290

MATERIALS

BODY - POLYESTER PBT. RATED UL 94V-2, COLOR BROWN.
 CONTACTS - COPPER ALLOY.

FINISH CONTACTS

Z59 PLATING GOLD FLASH OVER NICKEL UNDERPLATE IN CRITICAL CONTACT AREA AND 100 MICROINCHES (2.54 MICRONS) SOLDER OVER NICKEL UNDERPLATE ON SOLDER TAILS.

PERFORMANCE CHARACTERISTICS :

CONTACT RESISTANCE MIL-STD-1344. METHOD 3002.1. 30 MILLIOHMS. MAX. INITIAL 10 MILLIOHMS MAX. INCREASE THROUGH TESTING. (LOW SIGNAL LEVEL)

CURRENT RATING : 1 AMPERE. 86°F(30°) RISE ABOVE AMBIENT.

CONTACT NORMAL FORCE : 1.76 OZ FORCE (0.49 NEWTONS) MINIMUM END OF LIFE.

DURABILITY : 50 MATING CYCLES WITHOUT PHYSICAL DAMAGE . OR EXCEEDING LOW LEVEL CONTACT RESISTANCE REQUIREMENT

WHEN MATED WITH RECOMMENDED CARD EDGE.

INSULATION RESISTANCE : MIL-STD-202. METHOD 302. CONDITION B. 1000 MEGOHMS MINIMUM.

OPERATING TEMPERATURE : -40°F TO 221°F(-40°C TO 105°C)

THERMAL SHOCK : MIL-STD-202. METHOD 1003.1 -67°F* TO 185°F[155°C TO 85°C] 5 CYCLES.

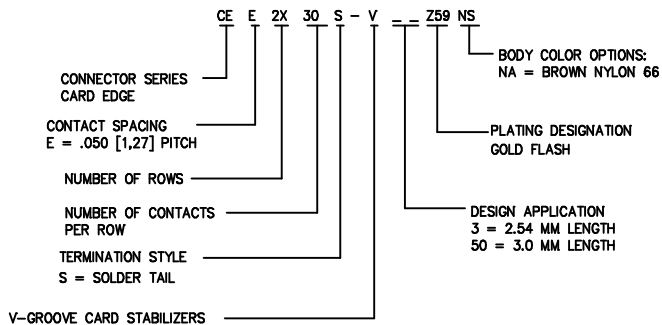
CAPACITANCE : 2 PICOFARADS MAXIMUM AT 1 MEGAHERTZ

MATING FORCE :MIL-STD-1344. METHOD 2013.1. 6 OZ.(1.67 NEWTONS) MAX. AVERAGE PER OPPOSING PAIR USING STEEL GAUGE PER MIL-STD C--21097 EXCEPT 1.57MM THICK WITH 20° LEAD-IN CHAMFER ANGLE.

CONNECTOR IS COMPATIBLE WITH WAVE SOLDERING AND VAPOR PHASE SOLDERING TECHNIQUES.

CONNECTOR INSTALLATION FORCE 15 LBS [66.76 NEWTONS] MAX.

CATALOG NUMBER DESCRIPTION



mat'l. code		tolerances unless otherwise specified		CUSTOMER COPY		 www.fciconnect.com	
ltr	ecn no	dr	date	linear	.x ± 0.30 .XX ± 0.20 .XXX ± 0.10	projection	title
A				angles	ANGLES ±2°		CNR CARD EDGE CONNECTOR CEE2X30S-V_Z59NS
				dr	JASON HSU 1/16/03'	MM	product family PCI
				enrg	JASON HSU 1/16/03'	↔	code
				chr	STERLING LIN 1/16/03'	scale	TWN
				appd	JAMES HSU 1/16/03'	1 : 1	sheet
sheet	revision					A3	10016456
index	sheet						3 of 3