

HALF SIZE DIP LOW VOLTAGE 2.5V CRYSTAL CLOCK OSCILLATOR

ACHL1 Series



RoHS
Compliant



13.2 x 11.0 x 5.5mm

FEATURES:

- Tri-state Enable/Disable option.
- Low voltage 2.5Vdc.
- HCMOS and TTL compatible.
- Tight symmetry option.

APPLICATIONS:

- Clock signal sources for digital chips and microprocessors.
- Low power applications.

STANDARD SPECIFICATIONS:

PARAMETERS

ABRACON P/N	ACHL1 Series
Frequency:	1.00MHz to 80.00 MHz
Operating temperature:	-10°C to +60°C (see options)
Storage temperature:	- 55°C to + 125°C
Overall frequency stability*:	± 100ppm max. (see options)
Supply voltage (Vdd):	2.5Vdc ± 10%
Input current:	See Table 1
Symmetry:	40/60% max. (see option)
Rise and Fall Times (Tr/Tf):	See Table 1
Output load:	5 TTL or 15 pF
Output Voltage:	VOH = 2.4V min. VOL = 0.4V max.
Tri State Function:	"1" (VIH >= 2.2 Vdc) or open: Oscillation "0" (VIL < 0.8V): Hi Z
Start-up-time:	10 ms max
Output Disable/ Enable time:	100 ns max. (for Option "-A" ONLY)

Table 1

Frequency (MHz)	Input current (mA)	Rise/Fall time (ns)
1.00MHz ≤ F < 24.9MHz	20	10
25.0MHz ≤ F < 80.00MHz	40	10

OPTIONS & PART IDENTIFICATION:

(Left blank if standard)

ACHL1 - Frequency - □ - □ - □ - □ - □

Temperature Options	
I	0°C to +50°C
E	-20°C to +70°C
F	-30°C to +70°C
N	-30°C to +85°C
L	-40°C to +85°C

Freq. Stability	
R*	±25 ppm max.
K	±30 ppm max.
H	±35 ppm max.
C	±50 ppm max.

* Temp option D, E, F, N and 0°C to +70°C only

Symmetry Options	
S	45/55% @ 1/2Vdd

Tristate Enable Funct	
A	Tristate Function

Value Added Option	
G	Gull Wing
G2	Gull Wing
Q30	0.30(7.62)
Q25	0.25(6.35)
Q20	0.20(5.08)
Q15	0.15(3.81)
Q10	0.10(2.54)

ABRACON IS
ISO9001:2008
CERTIFIED



ABRACON
CORPORATION

Visit www.abracon.com for Terms & Conditions of Sale **Revised: 08.18.10**

30332 Esperanza, Rancho Santa Margarita, California 92688

tel 949-546-8000 | fax 949-546-8001 | www.abracon.com

HALF SIZE DIP LOW VOLTAGE 2.5V CRYSTAL CLOCK OSCILLATOR

ACHL1 Series

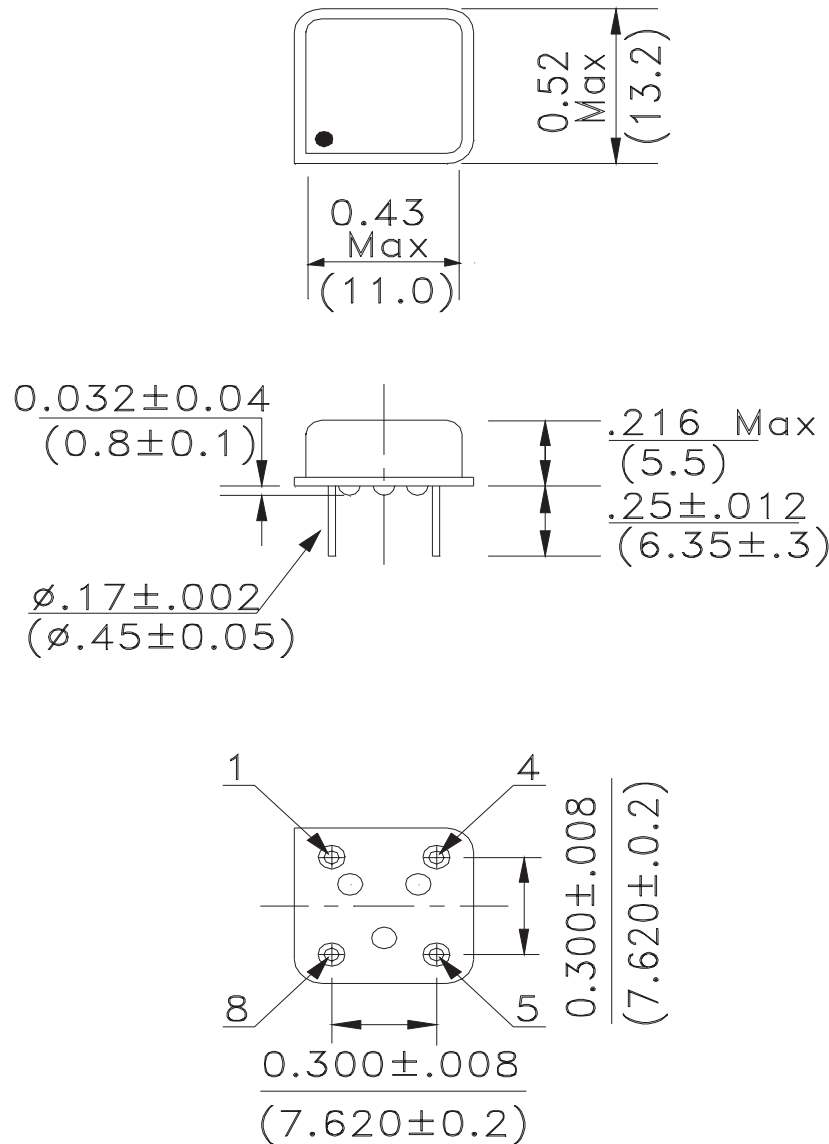


RoHS
Compliant



13.2 x 11.0 x 5.5mm

OUTLINE DIMENSIONS:



PIN	FUNCTION
1	NC or Tristate Enable/ Disable
4	GND/Case
5	Output
8	VDD

Note: Recommended using an approximately 0.01uF bypass capacitor between PIN 4 and 8.

Dimensions: inches (mm)

ATTENTION: Abracon Corporation's products are COTS – Commercial-Off-The-Shelf products; suitable for Commercial, Industrial and, where designated, Automotive Applications. Abracon's products are not specifically designed for Military, Aviation, Aerospace, Life-dependant Medical applications or any application requiring high reliability where component failure could result in loss of life and/or property. For applications requiring high reliability and/or presenting an extreme operating environment, written consent and authorization from Abracon Corporation is required. Please contact Abracon Corporation for more information.

ABRACON IS
ISO9001:2008
CERTIFIED



Visit www.abracon.com for Terms & Conditions of Sale **Revised: 08.18.10**
30332 Esperanza, Rancho Santa Margarita, California 92688
tel 949-546-8000 | fax 949-546-8001 | www.abracon.com