

CERAMIC SURFACE MOUNT LOW PROFILE QUARTZ CRYSTALS

ABMM2



6.0 x 3.6 x 1.2 mm

ABMM2



RoHS
Compliant

FEATURES:

- Suitable for RoHS reflow profile
- Low height 1.2mm
- Seam sealed ceramic package assure high reliability.
- Available tight tolerance and stability

APPLICATIONS:

- Computers, Modems, Microprocessors
- Communication, Test equipment
- PCMCIA

STANDARD SPECIFICATIONS:

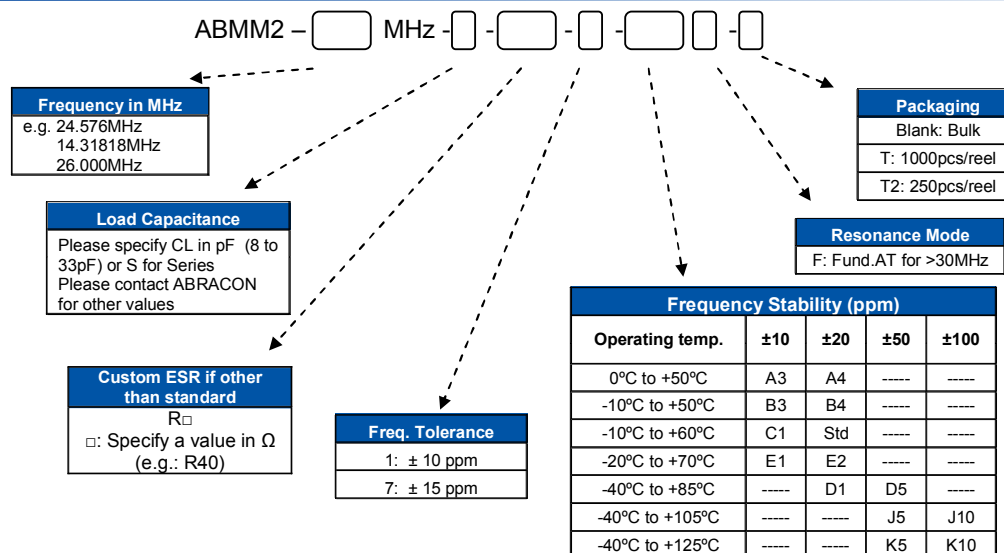
PARAMETERS	
ABRACON P/N	ABMM2 Series
Frequency Range	7.3728MHz to 110.00MHz
Operation Mode	7.3728MHz ~ 30.00MHz (Fundamental: Standard) 30.01MHz ~ 100.00MHz (3rd Overtone: Standard) 100.01MHz ~ 110.00MHz (5th Overtone: Standard) 30.01.00MHz ~ 50.00MHz (Fundamental: See options)
Operating Temperature	-10°C to + 60°C (see option)
Storage Temperature	- 40°C to + 85°C
Frequency Tolerance @ 25°C	± 20 ppm max. (See Options)
Frequency Stability over Operating Temp. (Ref to +25°C)	± 20 ppm max. (See Table 1)
Equivalent Series Resistance	See Table 1
Shunt Capacitance C ₀	7pF max.
Load Capacitance C _L	18pF (see options)
Drive Level	500µW max., 100µW typical
Aging at 25°C First Year	± 2ppm max.
Insulation Resistance	500MΩ min. @ 100Vdc ± 15V

TABLE 1

Frequency (MHz)	ESR (Ω) max	Frequency (MHz)	ESR (Ω) max
7.3728 - 7.999999(Fund)	150	30 - 100 (3rd OT)	60
8.0 - 9.999999(Fund)	72	100.001 - 110 (5th O/T)	80
10.0 - 50.0(Fund)	50		

OPTIONS & PART IDENTIFICATION:

(Left blank if standard)



ABRACON IS
ISO9001:2008
CERTIFIED



ABRACON
CORPORATION

Visit www.abracon.com for Terms & Conditions of Sale **Revised: 07.30.10**

30332 Esperanza, Rancho Santa Margarita, California 92688

tel 949-546-8000 | fax 949-546-8001 | www.abracon.com

CERAMIC SURFACE MOUNT LOW PROFILE QUARTZ CRYSTALS

ABMM2



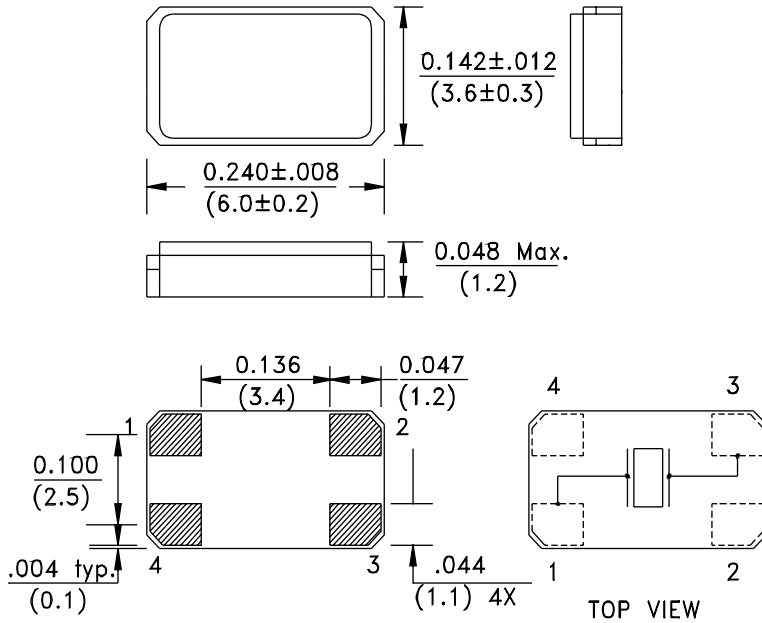
RoHS
Compliant



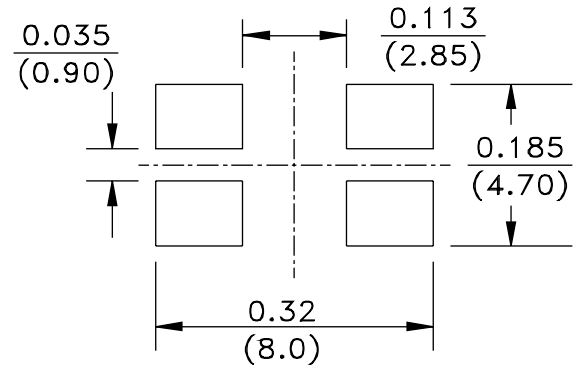
6.0 x 3.6 x 1.2 mm

OUTLINE DRAWING:

Dimensions: inches (mm)



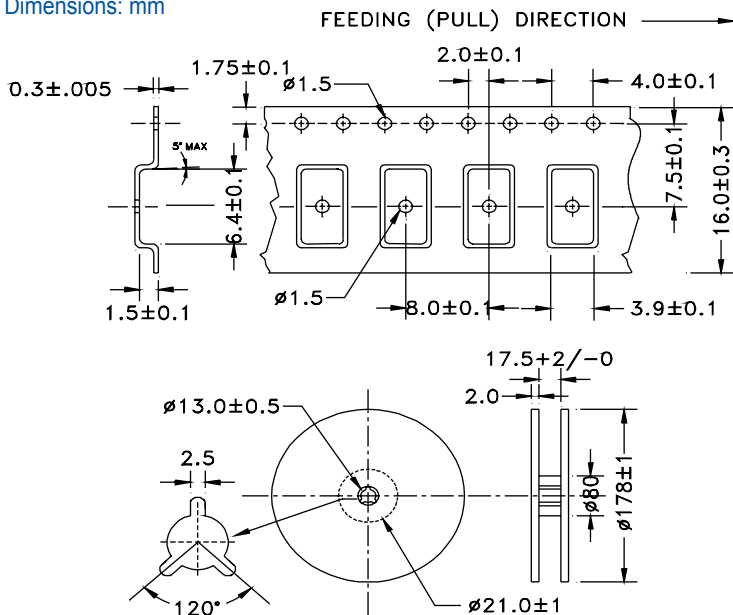
Recommended land pattern



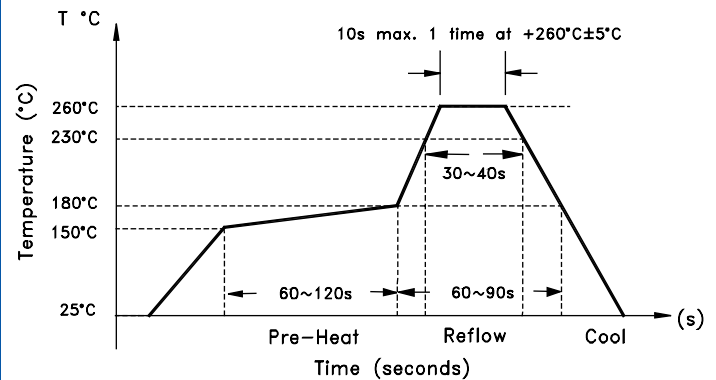
Note 1: A chamfer of 0.3mm may appear on pad 4.
Note 2: A rounded pad may appear on pad 1.

TAPE & REEL: Tape and reel (1,000pcs/reel)

Dimensions: mm



REFLOW PROFILE



ATTENTION: Abracon Corporation's products are COTS – Commercial-Off-The-Shelf products; suitable for Commercial, Industrial and, where designated, Automotive Applications. Abracon's products are not specifically designed for Military, Aviation, Aerospace, Life-dependant Medical applications or any application requiring high reliability where component failure could result in loss of life and/or property. For applications requiring high reliability and/or presenting an extreme operating environment, written consent and authorization from Abracon Corporation is required. Please contact Abracon Corporation for more information.

ABRACON IS
ISO9001:2008
CERTIFIED



Visit www.abracon.com for Terms & Conditions of Sale **Revised: 07.30.10**
30332 Esperanza, Rancho Santa Margarita, California 92688
tel 949-546-8000 | fax 949-546-8001 | www.abracon.com