

# CERAMIC SMD MINIATURE QUARTZ CRYSTAL

ABM3C

Pb in glass  
empt per RoHS 2002/95/EC Annex (5)

**RoHS**  
Compliant



6.0 x 3.5 x 1.3 mm

## FEATURES:

- Miniature size 5.0 x 3.2 x 1.3 mm max.
- IR reflow capable
- Ceramic package with heat-resistant glass sealing.

## APPLICATIONS:

- Cellular telephones, Pagers.
- Communication, Test equipment.
- High density applications.
- Cordless telephones, Fascimiles

## STANDARD SPECIFICATIONS:

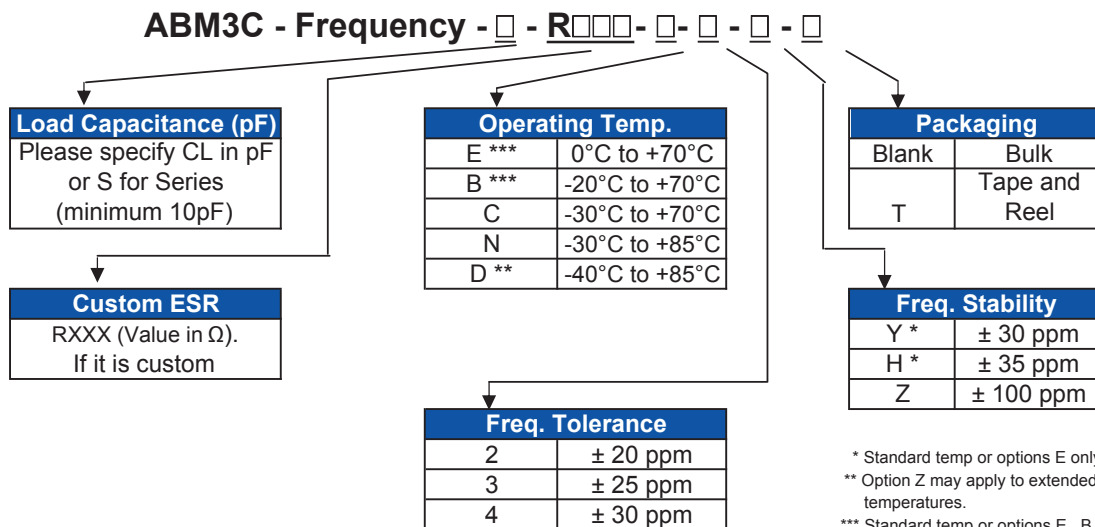
PARAMETERS	
ABRACON P/N	ABM3C Series
Frequency Range	10.0MHz - 50.0MHz
Operation Mode	Fundamental
Operating Temperature	-10°C to +70°C (see options)
Storage Temperature	-40°C to +90°C
Frequency Tolerance +25° C	± 50ppm max. (see options)
Frequency Stability Over the Operating Temperature (Ref. +25° C)	± 50ppm max. (see options)
Equivalent Series Resistance	See table 1
Shunt Capacitance C <sub>0</sub>	7pF max
Load Capacitance C <sub>L</sub>	18pF (see options)
Drive Level	100uW max, 10uW Typical
Aging @ 25° C first year	±5ppm max
Insulation Resistance	500Mohms min at 100Vdc ± 15V

TABLE 1- Standard ESR

Frequency (MHz)	ESR (Ω) max
10.000 - 15.99	60
16.000 - 50.000	50

## OPTIONS & PART IDENTIFICATION:

[Left blank if standard]



\* Standard temp or options E only

\*\* Option Z may apply to extended temperatures.

\*\*\* Standard temp or options E, B, C and N only.



# CERAMIC SMD ULTRA MINIATURE QUARTZ CRYSTAL

ABM3C

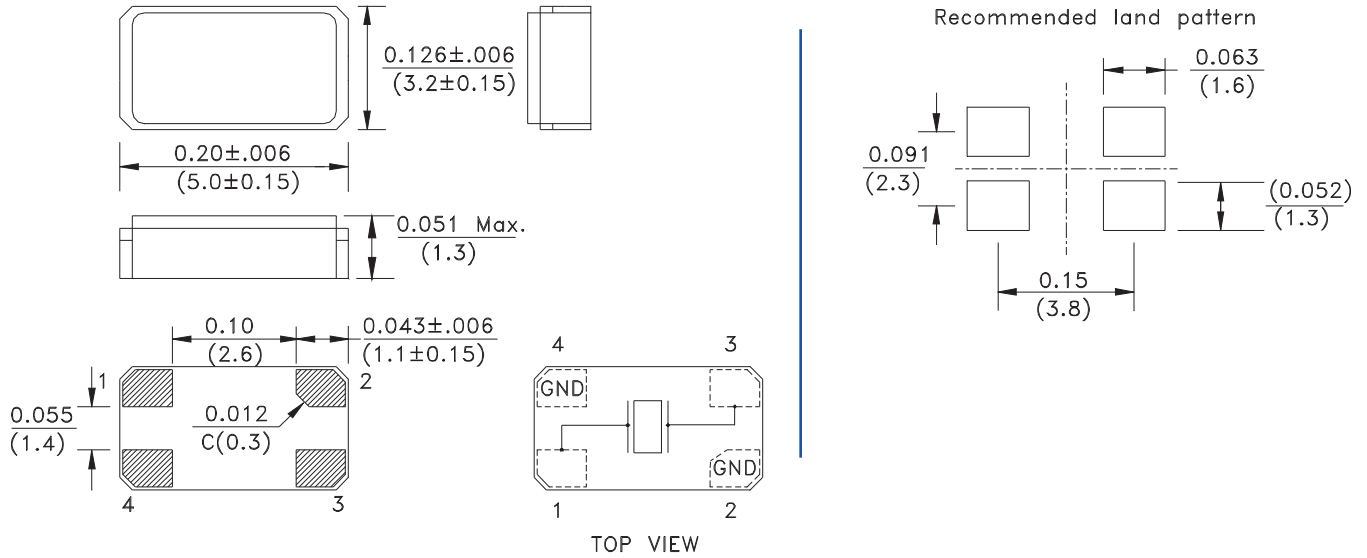
Pb in glass  
empt per RoHS 2002/95/EC Annex (5)

RoHS  
Compliant

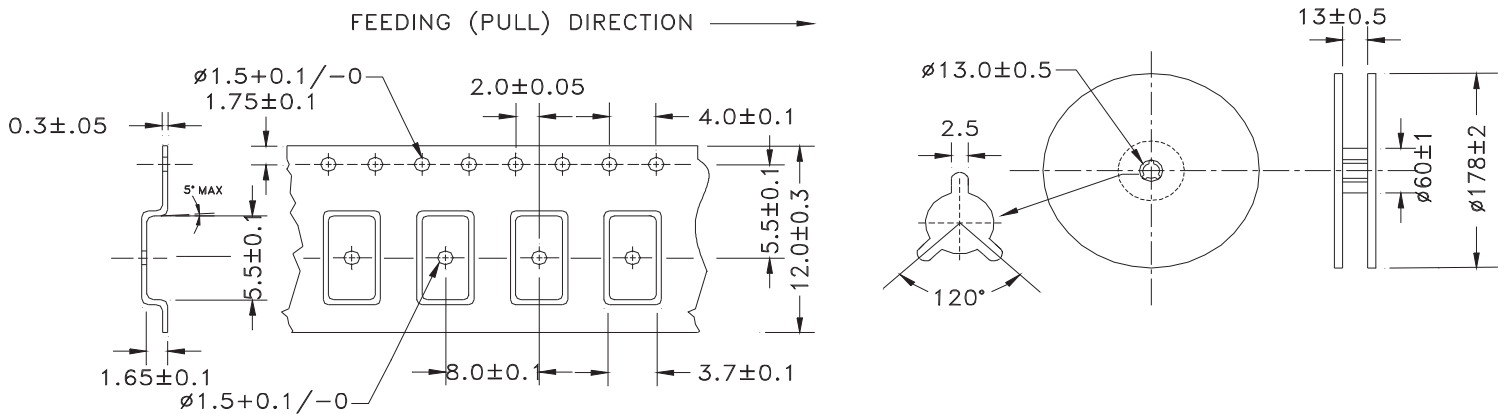


6.0 x 3.5 x 1.3 mm

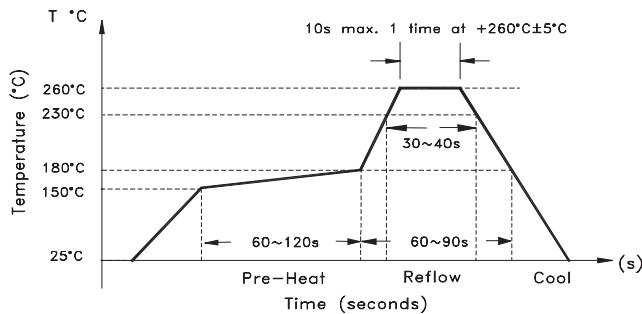
## OUTLINE DRAWING:



## TAPE & REEL:



## REFLOW PROFILE:



**ATTENTION:** Abracon Corporation's products are COTS – Commercial-Off-The-Shelf products; suitable for Commercial, Industrial and, where designated, Automotive Applications. Abracon's products are not specifically designed for Military, Aviation, Aerospace, Life-dependant Medical applications or any application requiring high reliability where component failure could result in loss of life and/or property. For applications requiring high reliability and/or presenting an extreme operating environment, written consent and authorization from Abracon Corporation is required. Please contact Abracon Corporation for more information.

ABRACON IS  
ISO 9001 / QS 9000  
CERTIFIED



Visit [www.abracon.com](http://www.abracon.com) for Terms & Conditions of Sale **Revised: 08.19.10**  
30332 Esperanza, Rancho Santa Margarita, California 92688  
tel 949-546-8000 | fax 949-546-8001 | [www.abracon.com](http://www.abracon.com)