

## 231-001 Hermetic Receptacle, Flange Mount MIL-DTL-38999 Series I

### HOW TO ORDER:

EXAMPLE: 231-001 P 9 - 35 P N

BASIC NO \_\_\_\_\_

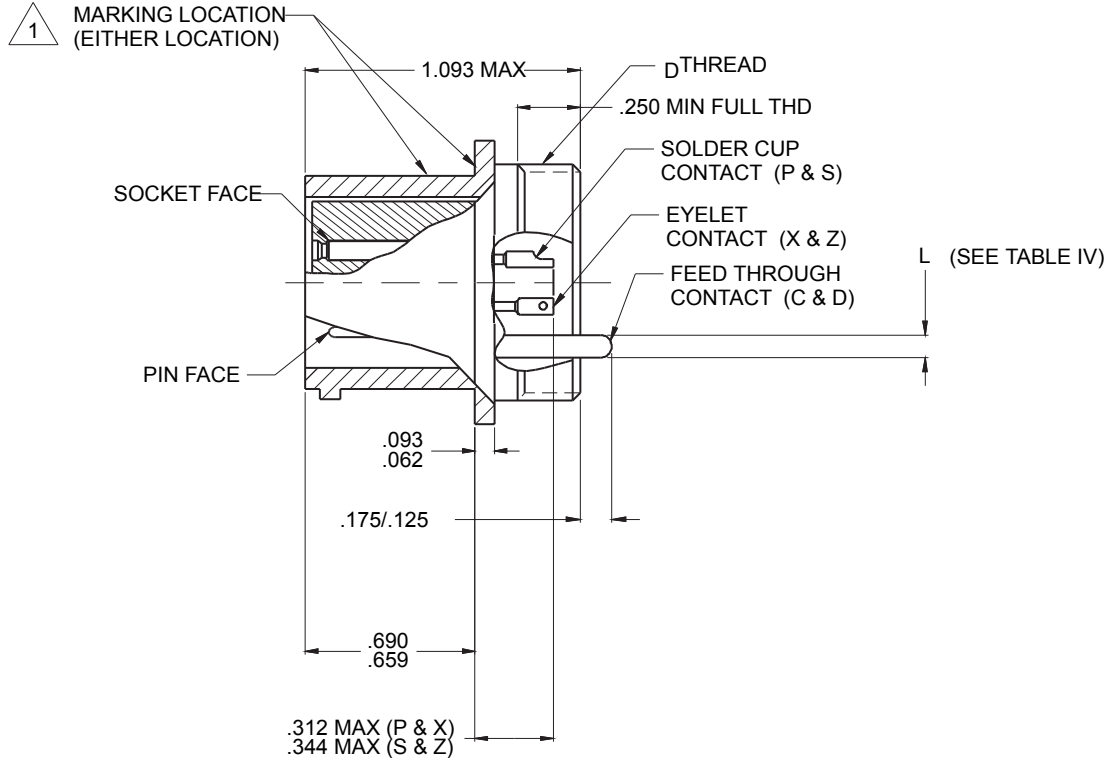
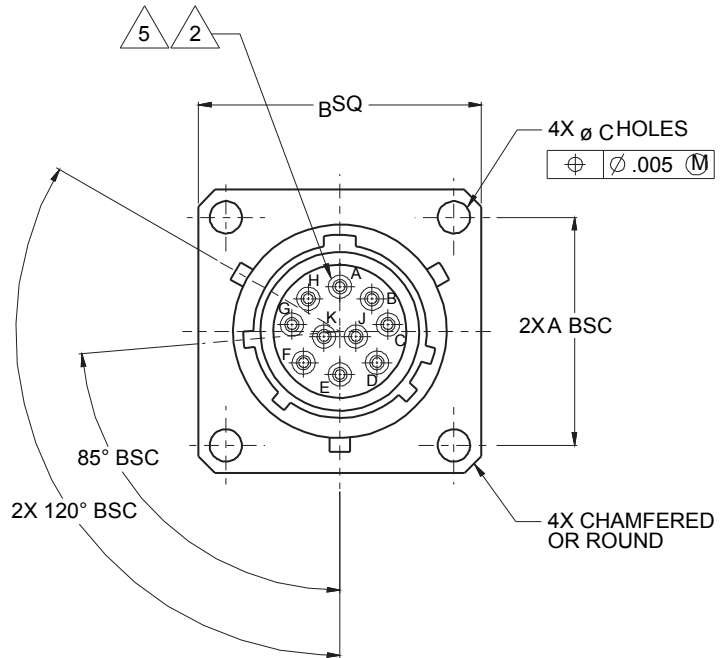
MAT'L & FINISH \_\_\_\_\_  
 FT = CARBON STEEL, FUSED TIN  
 P = CRES, NICKEL FINISH  
 Z1 = CRES, PASSIVATED

SHELL SIZE \_\_\_\_\_

INSERT ARRANGEMENT  $\triangle 2$  \_\_\_\_\_

CONTACT STYLE: \_\_\_\_\_  
 P = PIN, SOLDER CUP S = SOCKET, SOLDER CUP  
 X = PIN, EYELET Z = SOCKET, EYELET  
 C = PIN, FEEDTHRU D = SOCKET, FEEDTHRU

POLARIZATION \_\_\_\_\_  
 A, B, C, D (N = NORMAL)



**231-001**  
**Hermetic Receptacle, Flange Mount**  
**MIL-DTL-38999 Series I**



MIL-DTL-38999

PATTERN	22D	20	16	12
9-98		3		
9-35	6			
11-4		4		
11-5		5		
11-98		6		
11-99		7		
11-35	13			
11-2			2	
13-4			4	
13-8		8		
13-98		10		
13-35	22			
15-5			5	
15-15		14	1	
15-18		18		
15-19		19		
15-97		8	4	
15-35	37			
17-6				6
17-8			8	
17-26		26		
17-99		21	2	
17-35	55			
19-11			11	
19-28		26	2	
19-30		29	1	
19-32		32		
19-35	66			
19-45	67			
21-11				11
21-16			16	
21-24		24		
21-25		25		
21-27		27		
21-41		41		
21-39		37	2	
21-35	79			
23-35	100			
23-21			21	
23-32		32		
23-34		34		
23-36		36		
23-53		53		
23-97			16	
23-99			11	
23-55		55		
25-35	128			
25-29			29	
25-61		61		
25-4		48	8	
25-43		23	20	
25-19				19
25-24			12	12

SHELL SIZE	A BSC	B SQ ±.016 (0.4)	∅ C HOLES	D THREADS
9	.719 (18.3)	.938 (23.8)	.133 (3.4) .123 (3.1)	.6875-24 UNEF-2A
11	.812 (20.6)	1.031 (26.2)	.133 (3.4) .123 (3.1)	.8125-20 UNEF-2A
13	.906 (23.0)	1.125 (28.6)	.133 (3.4) .123 (3.1)	.9375-20 UNEF-2A
15	.969 (24.6)	1.219 (31.0)	.133 (3.4) .123 (3.1)	1.0625-18 UNEF-2A
17	1.062 (27.0)	1.312 (33.3)	.133 (3.4) .123 (3.1)	1.1875-18 UNEF-2A
19	1.156 (29.4)	1.438 (36.5)	.133 (3.4) .123 (3.1)	1.3125-18 UNEF-2A
21	1.250 (31.8)	1.562 (39.7)	.133 (3.4) .123 (3.1)	1.4375-10 UNEF-2A
23	1.375 (34.9)	1.688 (42.9)	.157 (4.0) .142 (3.6)	1.5625-18 UNEF-2A
25	1.500 (38.1)	1.812 (46.0)	.157 (4.0) .142 (3.6)	1.6875-18 UNEF-2A

SHELL SIZE	∅ H MIN	∅ J MIN	∅ G HOLES ±.005 (0.1)	K ±.005 (0.1)
9	.656 (16.7)	.516 (13.1)	.128 (3.3)	.719 (18.3)
11	.781 (19.8)	.625 (15.9)	.128 (3.3)	.812 (20.6)
13	.921 (23.4)	.750 (19.1)	.128 (3.3)	.906 (23.0)
15	1.047 (26.6)	.906 (23.0)	.128 (3.3)	.968 (24.6)
17	1.218 (30.9)	1.016 (25.8)	.128 (3.3)	1.062 (27.0)
19	1.296 (32.9)	1.142 (29.0)	.128 (3.3)	1.156 (29.4)
21	1.421 (36.1)	1.266 (32.2)	.128 (3.3)	1.250 (31.8)
23	1.546 (39.3)	1.375 (34.9)	.154 (3.9)	1.375 (34.9)
25	1.672 (42.5)	1.484 (37.7)	.154 (3.9)	1.500 (38.1)

CONTACT SIZE	∅ L
22D	.011 (0.3)
	.015 (0.4)
20	.024 (0.6)
	.028 (0.7)
	.0635 (1.6)
16	.0615 (1.6)
	.095 (2.4)
12	.093 (2.4)