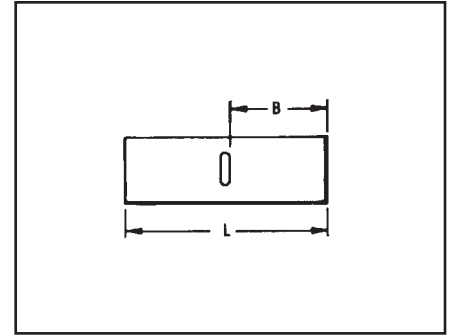


TYPE YS-L

HYLINK™ SPLICE STANDARD BARREL

COPPER COMPRESSION

UL Listed 90° C,
600 Volts to 35 KV ◆



C-93



Features and Benefits

- Standard barrel length.
 - ◇ Ideal for limited space applications while providing ample barrel length for proper crimp.
- Four (4) center conductor stops.
 - ◇ Provides a center wire stop for proper conductor insertion.

CATALOG NUMBER	CONDUCTOR		DIMENSION		INSTALLATION TOOLING ▲						WIRE STRIP LENGTH
	AWG	*** MM ²	L	B	MECHANICAL			Y35, ■ Y39, Y750, Y46*		▲ DIE INDEX & EMBOSMENT	
					Y1MRTC Y2MR	MD7-34R	MD6 OUR840	DIE NUMBER (# CRIMPS)	COLOR CODE		
YS8C-L-BOX	8 str.	10	1.24	.44	Y2MR (1) Y1MRTC (1)	W8CVT (1)	X8CRT (1)	U8CRT (1)	RED	49	1/2"
YS6C-L BOX	6 str.	—	1.75	.81	Y2MR (1)	W5CVT (1)	X5CRT (1)	UCRT (1)	BLUE	7 or 374	7/8"
YS5C-L BOX	5 str.	16	1.90	.81	Y1MRTC (1)	—	—	—	—	—	—
YS4C-L BOX	4 str.	—	1.93	.81	Y2MR (2) Y1MRTC (2)	W4CVT (1)	X4CRT (1)	U4CRT (1)	GRAY	8 or 346	7/8"
YS3C-L	3 str.	25	2.05	.88	Y1MRTC (2)	—	—	U3CRT (1)	WHITE	9	15/16"
YS2C-L BOX	2 str.	—	2.07	.88	Y2MR (2) Y1MRTC (2)	W2CVT (1)	X2CRT (1)	U2CRT (1)	BROWN	10	15/16"
YS1C-L BOX	1 str.	50	2.06	.88	Y1MRTC (2)	W1CVT (1)	X1CRT (1)	U1CRT-1 (1)	GREEN	11 or 375	15/16"
YS25-L BOX	1/0 str.	—	2.08	.88	—	W25VT (2)	X25RT (2)	U25RT (1)	PINK	12 or 348	15/16"
YS26-L BOX	2/0 str.	70	2.17	.94	—	W26VT (2)	X26RT (2)	U26RT (1)	BLACK	13	1"
YS27-L BOX	3/0 str.	95	2.30	1.00	—	W27VT (2)	X27RT (2)	U27RT (1)	ORANGE	14	1-1/16"
YS28-L BOX	4/0 str.	—	2.32	1.00	—	W28VT (2)	X28RT (2)	U28RT (1)	PURPLE	15	1-1/16"
YS29-L BOX	250 kcmil	120	2.46	1.06	—	W29VT (2)	—	U29RT (1)	YELLOW	16	1-1/8"
YS30-L	300 kcmil	150	2.47	1.06	—	W30VT (2)	—	U30RT (2)	WHITE	17 or 298	1-1/8"
YS31-L	350 kcmil	185	2.60	1.12	—	W31VT (2)	—	U31RT (2)	RED	18 or 324	1-3/16"
YS32-L	400 kcmil	—	2.74	1.19	—	W32VT (2)	—	U32RT (2)	BLUE	19 or 470	1-1/4"
YS34-L	500 kcmil	240	3.15	1.38	—	W34VT (2)	—	U34RT (2)	BROWN	20 or 299	1-7/16"
YS36-L	600 kcmil	300	3.22	1.38	—	—	—	U36RT (2)	GREEN	22 or 472	1-7/16"
YS38-L	700 kcmil	—	3.22	1.38	—	—	—	U38RT (2)	PINK	400	1-7/16"
YS39-L	750 kcmil	—	3.72	1.62	—	—	—	U39RT (2)	BLACK	24	1-11/16"
YS44-L	1000 kcmil	500	4.28	1.88	—	—	—	P44RT** (2)	WHITE	27	1-15/16"

▲ See tooling section of this catalog for complete tool and die listings.

* Use PUADP-1 adapter with "U" dies in Y46 HYPRESS™.

** P44RT for use with Y46 HYPRESS™ only. PUADP-1 adaptor not required.

*** The MM² conductor sizes listed are the recommendations for Class 2 conductor.

■ The maximum size for the Y35 is 400 kcmil insulated code cable.

■ For applications greater than 2000 Volts consult cable manufacturer for voltage stress relief instructions.