



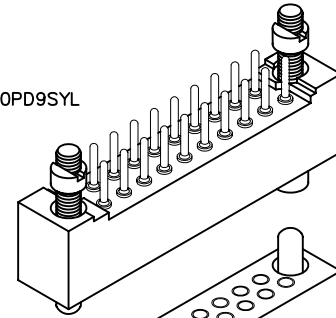
2 • ROW Sandwich Boards

.100"

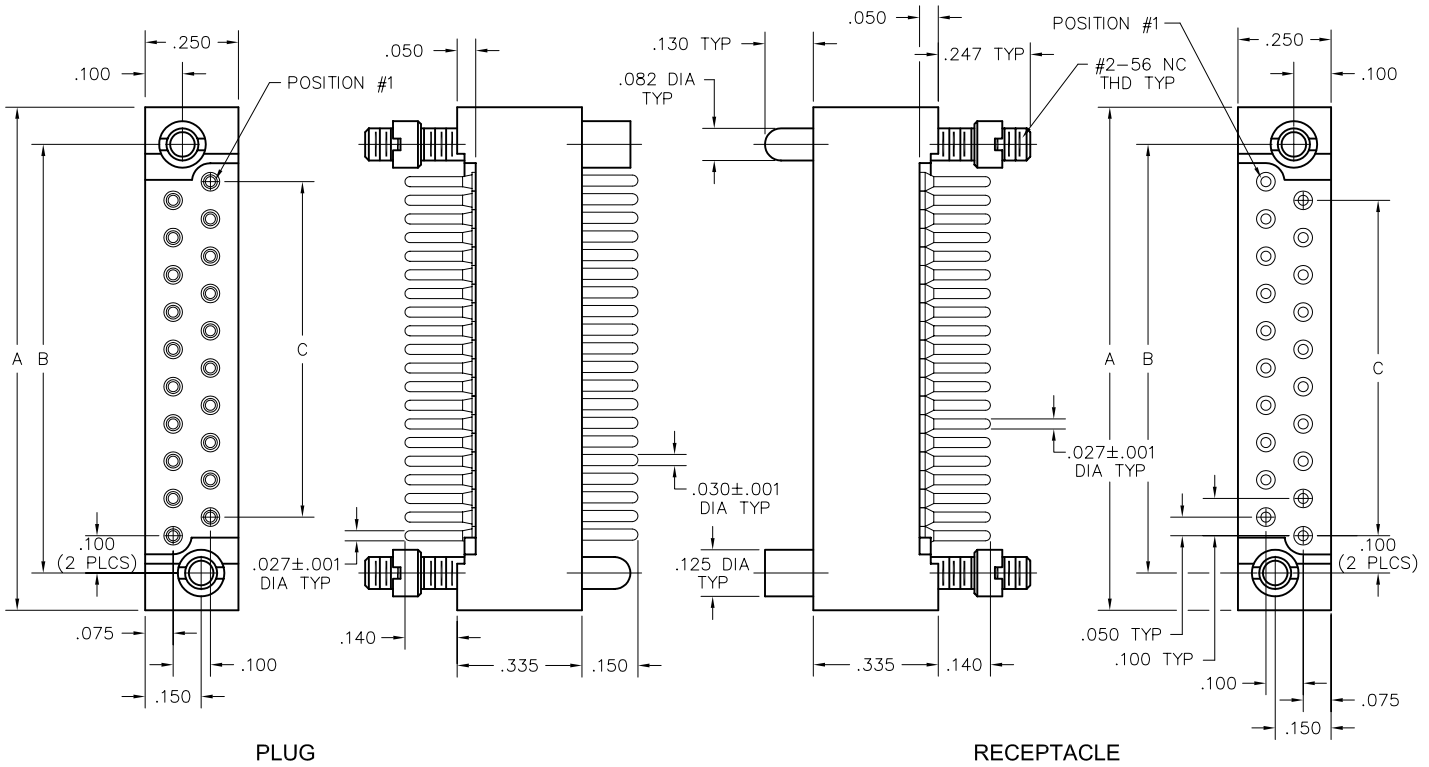
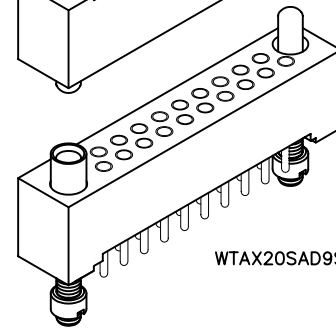
WTAV - WTAX

10 thru 70 Contacts

WTAV20PD9SYL



WTAX20SAD9SYL



DIMENSIONS							
SIZE	A	B	C	SIZE	A	B	C
10	.850	.650	.400	44	2.550	2.350	2.100
14	1.050	.850	.600	50	2.850	2.650	2.400
20	1.350	1.150	.900	54	3.050	2.850	2.600
24	1.550	1.350	1.100	56	3.150	2.950	2.700
26	1.650	1.450	1.200	60	3.350	3.150	2.900
30	1.850	1.650	1.400	66	3.650	3.450	3.200
36	2.150	1.950	1.700	70	3.850	3.650	3.400
40	2.350	2.150	1.900				

PLUG: WTAV 20 PD9 SYL
 RECEPTACLE: WTAX 20 SAD9 SYL
 XXXX XX XXXX XXX

PLUG

RECEPTACLE

SERIES	
WTAV Plug, straight, no mounting ears	WTAX Receptacle, straight, no mounting ears WTAX Receptacle, right angle, no mounting ears

SIZE	
XX Number of contacts (10, 14, 20, 24, 26, 30, 36, 40, 44, 50, 54, 56, 60, 66, or 70)	XX Number of contacts (10, 14, 20, 24, 26, 30, 36, 40, 44, 50, 54, 56, 60, 66, or 70)

CONTACTS

- Pin or socket contacts can be used in either plug or receptacle.
- When pin contacts are used, standard hardware orientation places the female hardware next to the #1 pin contact.
- When socket contacts are used, standard hardware orientation places the male hardware next to the #1 socket contact.

TYPE CONTACTS/TERMINATIONS:		TYPE CONTACTS/TERMINATIONS:	
PC Pin, straight, solder cup (.035" I.D.)	SAC Socket, straight, solder cup (.035" I.D.)	SAD7 Socket, straight, dip solder, .109" x .027" dia	SAD9 Socket, straight, dip solder, .140" x .027" dia
PD7 Pin, straight, dip solder, .109" x .027" dia	SAD11 Socket, straight, dip solder, .172" x .027" dia	SAF3 Socket, straight, flex circuit, .050"	SAF6 Socket, straight, flex circuit, .093"
PD9 Pin, straight, dip solder, .140" x .027" dia	SAF9 Socket, straight, flex circuit, .140"	SAP Socket, straight, pin termination, .150" (connector saver)	SAW24 Socket, straight, wire wrap®, .375"
PD11 Pin, straight, dip solder, .172" x .027" dia	SAW40 Socket, straight, wire wrap®, .625"	SOR7 Socket, right angle, dip solder, .109" x .025" dia	SOR9 Socket, right angle, dip solder, .140" x .025" dia
PF3 Pin, straight, flex circuit, .050"		SOR11 Socket, right angle, dip solder, .172" x .025" dia	
PF6 Pin, straight, flex circuit, .093"			
PF8 Pin, straight, flex circuit, .125"			
PW34 Pin, straight, wire wrap®, .531"			
PW40 Pin, straight, wire wrap®, .625"			

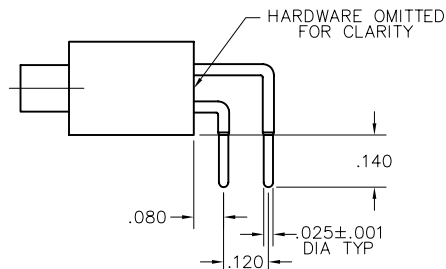
HARDWARE

- Jackset hardware determines image of connector. Must specify image with guide set hardware.
- Plug facial seal gaskets and hoods; order separately or add "Q" in part number. Example: WTAV10PD9QJ. See "Gaskets" and "Hoods" in Accessories section for instructions.
- Fixed jackset, long (JL) includes jackscrew or jacksocket, #2-56 nut, #2 flat washer & #2 lockwasher

SY Guide set	SY Guide set
SY-# Guide set, polarized	SY-# Guide set, polarized
SYL Guide set, long	SYL Guide set, long
SYL-# Guide set, long, polarized	SYL-# Guide set, long, polarized
J Fixed jackset	JT Turning jackset, .500"
JL Fixed jackset, long	JTA Turning jackset, .200"
	JTB Hex turning jackset, .200"
	JTC Hex turning jackset, .500"
	JTL Turning jackset, long, .700"

OPTIONS

- Option Codes: Add to the end of the part number. Example: WTAV10PD9J-D01. Call factory for additional codes.
- 433 Polarizing pin installed in contact position noted by dash number. See "Polarization" in Accessories section.
- 444 Contact position noted by dash number is left open (to mate with -443). See "Polarization" in Accessories section.
- B82 Termination face sealed against conformal coating
- D01 Pre-tinned contact terminations (except solder cups, wire wraps® and flex contacts)
- D54 Combine -B82 & -D01 options
- G69 Solder cups fixed in an outward orientation (otherwise contacts will rotate)



CONTACT OPTION: SOR9