

Quartz Crystal



Actual Size



Product Description

The GA series is an industry standard AT-cut crystal that is housed in Mil standard package.

Product Features

- AT-cut performance
- Resistance weld seal
- Low cost
- Versatile
- Pb-free and RoHS/Green compliant available

Typical Applications

- Set-Top Box/Multimedia
- Clock/VCXO Multiplier
- Network Adapter Cards
- Modems
- Microcontrollers and Processors
- Remote control devices

Frequency Range:

- 1.8432 to 27.0000 MHz (Fundamental)
- 27.0001 to 60.0000 MHz (3rd OT)

Characteristics at 25°C ±2°C:

- Frequency Calibration Tolerance (as specified): ±30ppm, ±50ppm
- Load Capacitance (as specified): 12 to 32pF or Series Resonance
- Effective Series Resistance:
 - 700Ω max (1.8432 to 3.199MHz)
 - 150Ω max (3.2 to 3.499MHz)
 - 120Ω max (3.5 to 3.999MHz)
 - 100Ω max (4 to 4.999MHz)
 - 50Ω max (5 to 6.000MHz)
 - 40Ω max (6 to 7.999MHz)
 - 35Ω max (8 to 9.999MHz)
 - 30Ω max (10 to 12.999MHz)
 - 25Ω max (13 to 17.999MHz)
 - 20Ω max (18 to 27.000MHz, AT Fund)
 - 40Ω max (27 to 60MHz, AT (3rd overtone))
- Drive Level: 100μW correlation, (2000μW Max)
- Shunt Capacitance: 7pF Max.

Temperature Range:

- Operating: -20 to +70°C ; -40 to +85°C (as specified)
- Storage: -55 to +125°C

Temperature Stability (as specified):

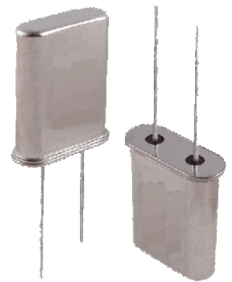
- ±30ppm (-20 to +70°C)
- ±50 or ±100ppm (-40 to +85°C)

Aging @ 25°C, first year:

- ±3ppm (typ), ±5ppm (max)

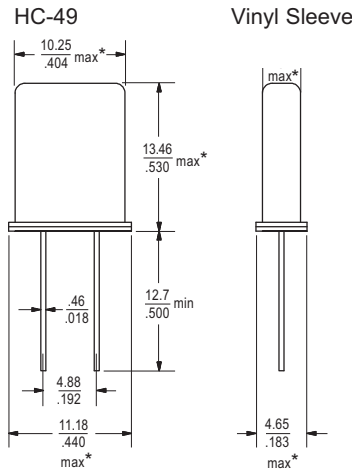
Reflow Temperature:

- 260°C Max, 10 sec max (RoHS package)



Mechanical Drawings: HC-49

Package Details



Scale: None (Dimension in mm/inches)

New Part Number Example

GA **250** **0001** A = Product Family
 (A) (B) (C) B = Frequency Code
 C = Specification Code

Note: After July 1, 2007, a SaRonix - eCera part number following the above format will be assigned upon confirmation of exact customer requirements.

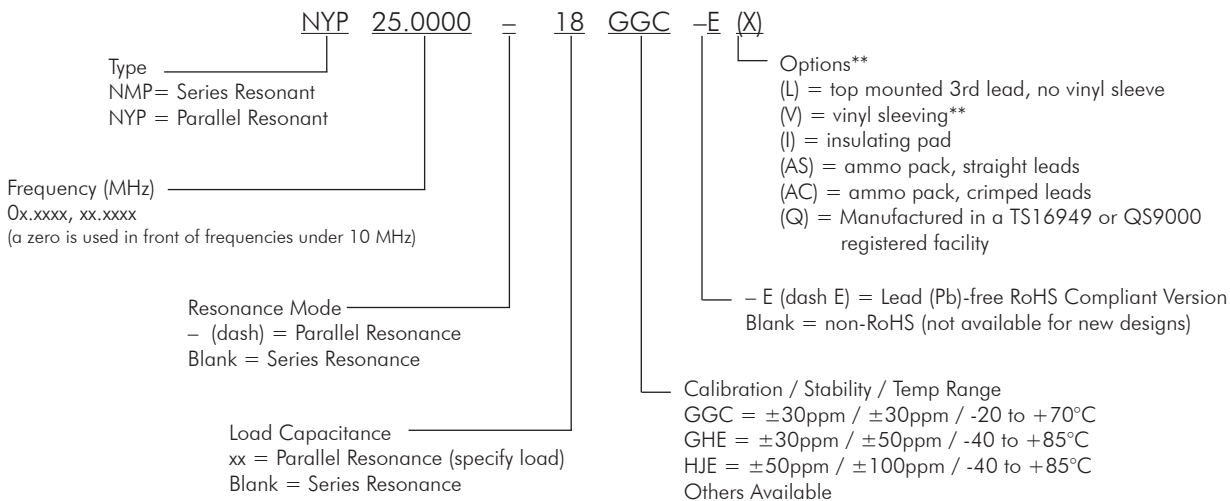
Mechanical:

- Shock: JESD22-B104 Condition B
- Solderability: JESD22 method 1 (Preconditioning E) RoHS package
- Terminal Strength: MIL-STD-883 Method 2004
- Vibration: JESD22-B103
- Solvent Resistance: JESD22-B107
- Resistance to Soldering Heat: JESD22-B106 (RoHS Package)

Environmental:

- Gross Test Leak: JESD22-A109, Condition C
- Fine Test Leak: JESD22-A109, Condition A1
- Moisture Resistance: JESD22-A113
- Insulation Resistance: 500 MΩ min (100 VDC)

Legacy Ordering Information



**Optional vinyl shrink sleeve may be specified, as needed

Part Number Example: Spec: Freq 5.1234MHz, ±30ppm calib, ±30ppm stab, -20 to +70°C, 16pF
 = NYP05.1234-16GGC
 = NYP05.1234-16GGC-E (for lead-free)