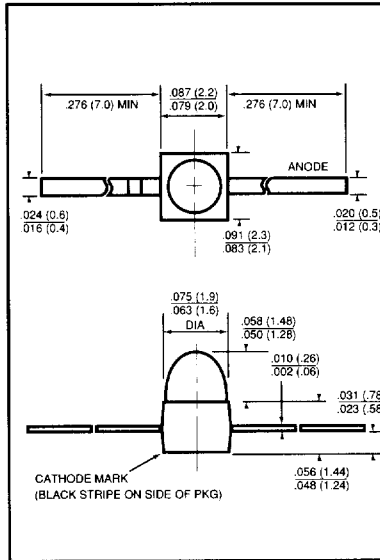


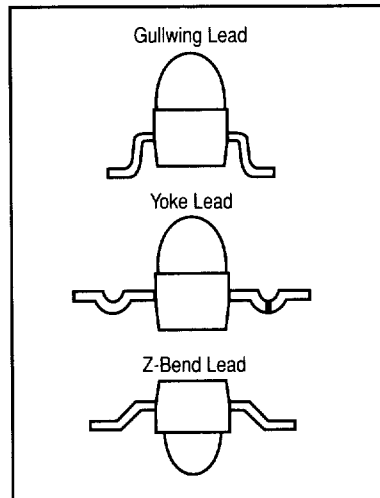
### T-3/4 Square Base, Diffused & Clear with Offset Lens

Part Number	Source Color	Wave-length $\lambda_p$ (nm)	Lens Color	Typical Viewing Angle	Forward Voltage $V_F$ (V)		Luminous Intensity $I_V$ (mcd)		Notes
					typ	max	min	typ	
QTLP912-2	Black	635	Water Clear	25°	2.0	2.8	16.0	80.0	4
QTLP913-2			Red Diffused	50°	2.0	2.8	16.0	80.0	4
QTLP912-3	Yellow	585	Water Clear	25°	2.0	2.8	18.0	30.0	4
QTLP913-3			Yellow Diffused	50°	2.0	2.8	16.0	30.0	4
QTLP912-4	Black	565	Water Clear	25°	2.1	2.8	30.0	50.0	4
QTLP913-4			Green Diffused	50°	2.1	2.8	11.5	50.0	4
QTLP912-5	Black	555	Water Clear	25°	2.0	2.8	4.0	6.3	4
QTLP913-5			Green Diffused	50°	2.0	2.8	1.6	2.5	4
QTLP912-7	Black	660	Water Clear	25°	2.0	2.8	113	170	4
QTLP913-7			Red Diffused	50°	1.7	2.4	72	108	4
QTLP912-8	Black	610	Water Clear	25°	2.0	2.8	6.3	10.0	4



### T-3/4 Square Base, Diffused

Part Number	Source Color	Wave-length $\lambda_p$ (nm)	Lens Color	Typical Viewing Angle	Forward Voltage $V_F$ (V)		Luminous Intensity $I_V$ (mcd)		Notes
					typ	max	min	typ	
MV6700A	Black	635	Red Diffused	50°	1.8	3.0	1.0	3.0	3
MV6400A	Black	565	Green Diffused	40°	2.0	3.0	1.0	3.0	3
MV6300A	Yellow	585	Yellow Diffused	50°	2.0	3.0	1.0	3.0	3
HLMP-Q150A	Black	660	Red Diffused	50°	1.6	1.8	1.0	1.8	1
HLMP-Q155A	Black	660	Red Diffused	50°	1.6	1.8	2.0	4.0	1
HLMP-6305A	Black	635	Water Clear	25°	1.8	3.0	3.0	12.0	3
HLMP-6505A	Black	565	Water Clear	25°	2.0	3.0	3.0	12.0	3
HLMP-6405A	Yellow	585	Water Clear	25°	2.0	3.0	3.0	12.0	3
HLMP-Q105A	Black	660	Water Clear	25°	1.8	2.4	20.0	50.0	4
HLMP-Q101A	Black	660	Red Diffused	50°	1.8	2.4	22.0	45.0	4



### OPTIONS

These T-3/4 Square Base products are available in Surface Mount Configurations packaged in bulk or tape reel, in three lead form configurations: 1) Gullwing, 2) Yoke and 3) Z-bend.

To order T-3/4 Square Base products in bulk or on tape and reel, include the appropriate standard part number and suffix code to specify configuration and optional features.

Example: **MV6700A.GB**

Example: **QTLP912-3.ZR**

#### LEAD FORM CODE

Code	Lead Type
G	Gullwing
Y	Yoke
Z	Z-Bend

#### PACKAGING CODE

Code	Lead Type
B	Bulk
R	Tape and Reel