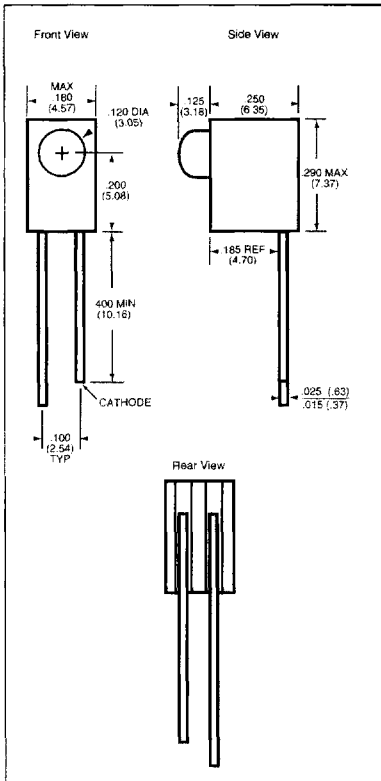


T-3/4 (Subminiature) - Short Package

Part Number	Source Color	Typical Wave-length λ_p (nm)	Lens Color	Typical Viewing Angle	I_F (mA) for MR Parts		Luminous Intensity I_V (mcd)		Notes
					V_F (V) typ	V_F (V) max	min	typ	
MV5000.MP2		660	Red Diffused	40°	1.7	2.0	1.0	3.0	1
MV5300.MP2	Yellow	585	Yellow Diffused	40°	2.1	3.0	0.2	0.5	1
MV5400.MP2		565	Green Diffused	40°	2.3	3.0	0.8	0.7	1
MR5000.MP2		660	Red Diffused	40°	3.8	4.0	0.8	0.6	7, 9
MR5010.MP2		660	Red Diffused	40°	6.8	8.0	0.6	1.2	7, 9
MR5020.MP2		660	Red Diffused	40°	16.0	21.0	1.0	2.0	7, 9
MR5310.MP2	Yellow	585	Yellow Diffused	40°	5.0	0.3	0.3	0.6	7, 9
MR5410.MP2		565	Green Diffused	40°	5.0	0.3	0.3	0.5	7, 9



T-100 (3 mm)

Part Number	Source Color	Wave-length λ_p (nm)	Lens Color	Typical Viewing Angle	I_F (mA) for MR Parts		Luminous Intensity I_V (mcd)		Notes
					V_F (V) typ	V_F (V) max	min	typ	
MV5064.MP4A		660	Red Diffused	60°	1.6	2.2	0.5	1.5	4
MV5364.MP4A	Yellow	585	Yellow Diffused	60°	2.1	3.0	1.0	2.0	3
MV5464.MP4A		565	Green Diffused	60°	2.2	3.0	10	15	1
MV5764.MP4A		635	Red Diffused	60°	2.0	3.0	1.0	2.0	3
HLMP-1700.MP4A				50°	1.8	2.2	1.0	2.0	2
HLMP-1719.MP4A	Yellow	585	Yellow Diffused	50°	1.9	2.7	1.0	2.0	2
HLMP-1790.MP4A		565	Green Diffused	50°	13	2.7	1.0	2.0	2
HLMP-K101.MP4A		660	Red Diffused	60°	1.8	2.2	22	45	1
HLMP-K105.MP4A			Red Clear	35°	1.8	2.2	35	70	3
HLMP-K150.MP4A			Red Diffused	60°	1.6	1.8	1.2	2.0	5
HLMP-K155.MP4A			Red Clear	45°	1.6	1.8	2.0	3.0	5
MR5060.MP4A		660	Red Diffused	60°	13	20	0.8	1.5	7, 9
MR5360.MP4A	Yellow	585	Yellow Diffused	60°	10	15	1.5	4.0	7, 9
MR5460.MP4A		565	Green Diffused	60°	12	15	1.5	4.0	7, 9
MR5760.MP4A		635	Red Diffused	60°	10	15	1.5	4.0	7, 9

General Notes for all PCB Mount LED Indicators

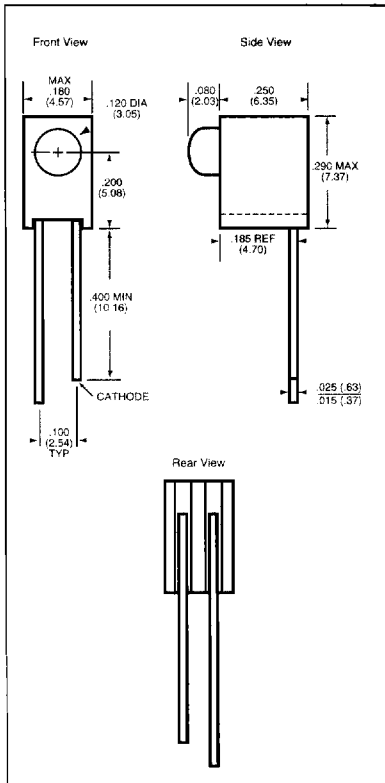
All dimensions are in inches (mm).
 Tolerance is $\pm .015$ ($\pm .38$) unless otherwise specified.

Custom color combinations are available.

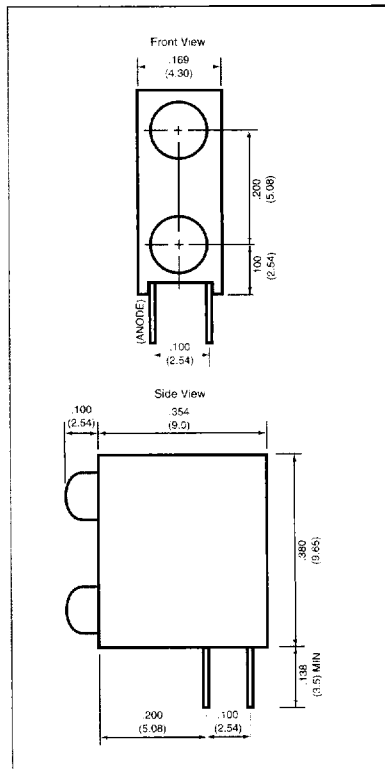
Notes

- V_F & I_V @ $I_F = 1$ mA
- V_F & I_V @ $I_F = 2$ mA
- V_F & I_V @ $I_F = 10$ mA
- V_F & I_V @ $I_F = 20$ mA
- V_F @ $I_F = 20$ mA; I_V @ $I_F = 10$ mA
- V_F @ $I_F = 10$ mA; I_V @ $I_F = 5$ mA
- I_V @ $V_F = 5$ V
- I_F & I_V @ $V_F = 5$ V
- I_F & I_V @ $V_F = 12$ V
 HER = High Efficiency Red
 B. Red = Bright Red

PCB AND PANEL MOUNT LED INDICATORS



T-100 (3 mm)									
Part Number	Source Color	Wave-length λ_p (nm)	Lens Color	Typical Viewing Angle	I_F (mA) for MR Parts V_F (V)		Luminous Intensity I_V (mcd)		Notes
					typ	max	min	typ	
MV5064.MP4B		660	Red Diffused	60°	1.6	2.2	0.5	1.5	6
MV5364.MP4B	Yellow	585	Yellow Diffused	60°	2.1	3.0	1.0	2.0	5
MV5464.MP4B		565	Green Diffused	60°	2.2	3.0	10	15	4
MV5764.MP4B		635	Red Diffused	60°	2.0	3.0	1.0	2.0	5
HLMP-1700.MP4B		635	Red Diffused	50°	1.8	2.2	1.0	2.0	2
HLMP-1719.MP4B	Yellow	585	Yellow Diffused	50°	1.9	2.7	1.0	2.0	2
HLMP-1790.MP4B		565	Green Diffused	50°	1.9	2.7	1.0	2.0	2
HLMP-K101.MP4B		660	Red Diffused	60°	1.8	2.2	22	45	4
HLMP-K105.MP4B			Red Clear	35°	1.8	2.2	35	70	5
HLMP-K150.MP4B			Red Diffused	60°	1.6	1.8	1.2	2.0	1
HLMP-K155.MP4B			Red Clear	45°	1.6	1.8	2.0	3.0	1
MR5060.MP4B		660	Red Diffused	60°	13	20	0.8	1.5	8, 9
MR5360.MP4B	Yellow	585	Yellow Diffused	60°	10	15	1.5	4.0	8, 9
MR5460.MP4B		565	Green Diffused	60°	13	15	1.5	4.0	8, 9
MR5760.MP4B		635	Red Diffused	60°	13	15	1.5	4.0	8, 9



T-100 (3 mm) Bilevel Right Angle									
Part Number	Source Color	Wave-length λ_p (nm)	Lens Color	Typical Viewing Angle	Forward Voltage V_F (V)		Luminous Intensity I_V (mcd)		Notes
					typ	max	min	typ	
QLA694B-2H		697	Red Diffused	140°	2.1	2.8	0.9	1.4	3
QLA694B-2I		635	Red Diffused	140°	2.0	2.8	4.0	6.0	3
QLA694B-2G		565	Green Diffused	140°	2.1	2.8	4.0	6.0	3
QLA694B-2Y	Yellow	585	Yellow Diffused	140°	2.0	2.8	4.0	6.0	3
QLA694B-HG	Yellow	697 / 565	Diffused	140°	2.1	2.8	0.9	1.4	3
QLA694B-GY	Yellow	565 / 585	Diffused	140°	2.1	2.8	4.0	6.0	3