

D-Subminiature Right Angle .318" (8.08) Mount M22 Series



PART NUMBER LEGEND

M22X - XXX - XXX - XX

MATING FACE MOUNTING OPTIONS:

- 3 = #4-40 jackscrews secures shield & insulator together
- 4 = #4-40 flush threaded inserts
- 5 = #4-40 flush threaded inserts with removable jack screws installed
- 6 = .120" non-threaded through holes

BOARD MOUNTING OPTIONS

- 1 = Wrap around ground straps with holes
- 2 = Forked board locks
- 3 = Top side only ground straps with holes
- 4 = Top side only ground straps with #4-40 threaded screw holes
- 5 = 4 pronged board locks

TAIL

- 02 = .180" Solder Tail

PROFILE/FILTERING

- 0 = .318"
- 1 = .318" EMI

NUMBER OF POSITIONS

- 09, 15, 25, 37

CONTACT TYPE

- P = Plug
- S = Socket

PLATING

- S = 5 µin. Gold Nominal
- 8 = 30 µin. Select Gold Nominal

SPECIFICATIONS:

Material:

Shell: Steel, tin-plated
 Insulator: Polybutylene Terephthalate (PBT), glass reinforced thermoplastic, rated UL 94V-0
 Insulator color: Black
 Contacts: Plug - Brass; Socket - Phosphor Bronze
 Ground Strap or Boardlocks: Brass, tin-plated
 Rivet insert: Brass, nickel-plated

Plating:

Per MIL-G-45204, Type II, Grade C on contact area over 50 µin nominal nickel underplate to QQ-N-290, Class 2, Grade C, gold flash on soldertails

Electrical:

Operation voltage: 250 VDC max
 Current rating: 3 Amps max
 Contact resistance: 20 mΩ max
 Insulation resistance: 3000 MΩ min @ 500 VDC between adjacent contacts
 Dielectric withstanding voltage: 1000 VAC RMS (sea level)
 Capacitance: 2 pF max between adjacent contacts

Environmental:

Operating temperature: -55°C to +105°C

OPTIONS: (add to the end of part number)

HT = Hi-Temp insulator for IR reflow or Vapor Phase soldering process

MATING OPTIONS:

Mates with Methode D-Sub Series M21 and M23 and all industry standard D-Subminiature connectors.

ACCESSORIES:

Dustcovers, hardware

PACKAGING:

Anti-static plastic trays available

APPROVALS AND CERTIFICATIONS:

Select parts recognized under the component program of Underwriters Laboratories, Inc. No. E167232
 Certified by Canadian Standards Association No. LR75112



North and South America:

Methode Electronics, Inc. Connector Products
 1700 Hicks Road • Rolling Meadows, IL 60008 USA
 847-392-3500 • Toll Free: 800-323-6864 • Fax: 847-392-9404
 Email: info@methode.com • Web: www.methode.com/connector/index.html

Europe:

Methode Electronics Ireland, Ltd.
 Unit H, Crossagalla Business Park, Ballysimon Rd. • Limerick, Ireland
 +353 (0) 61 401222 • Fax: +353 (0) 61 401942
 Email: info@methode.ie • Web: ireland.methode.com/main.html

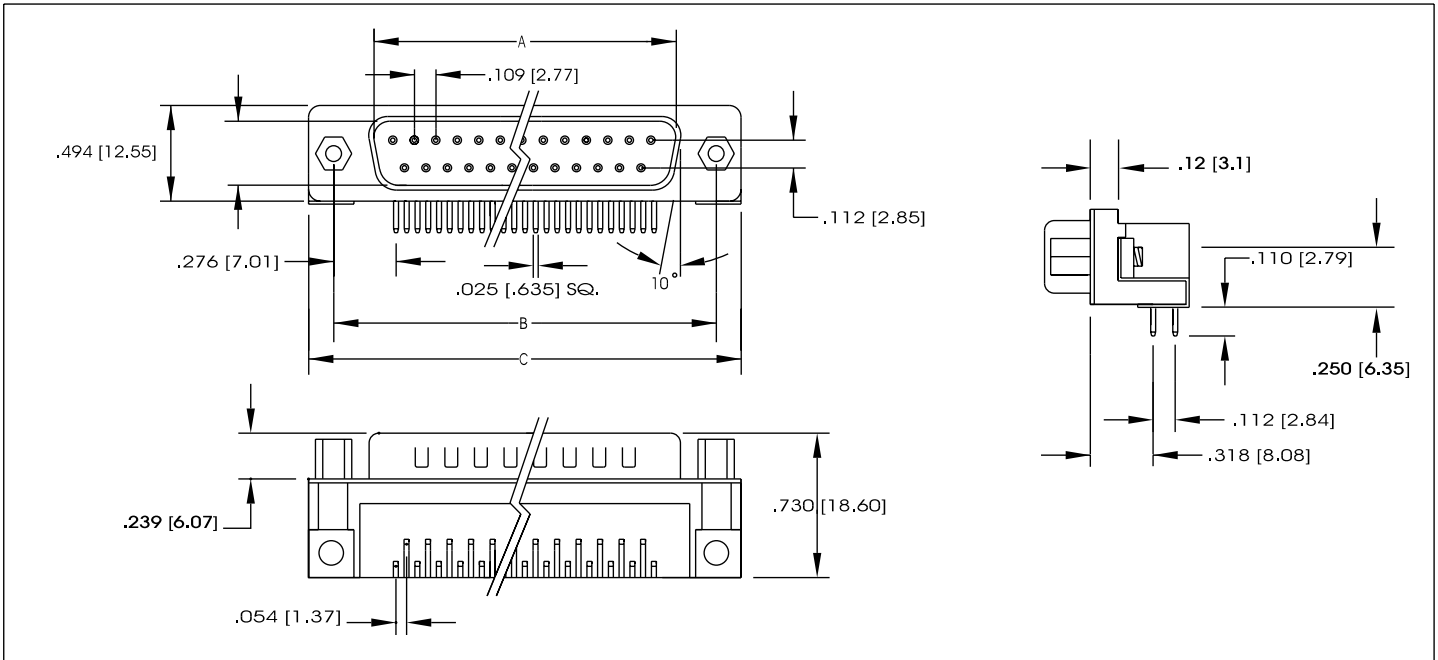
Far East:

Methode Electronics Far East, Pte. Ltd.
 1 Tuas Lane, Jurong Town • Singapore 638610
 65-68615444 • Fax: 65-68614777
 Email: sales@methode.com.sg • Web: www.methode.com/mefe/index.html

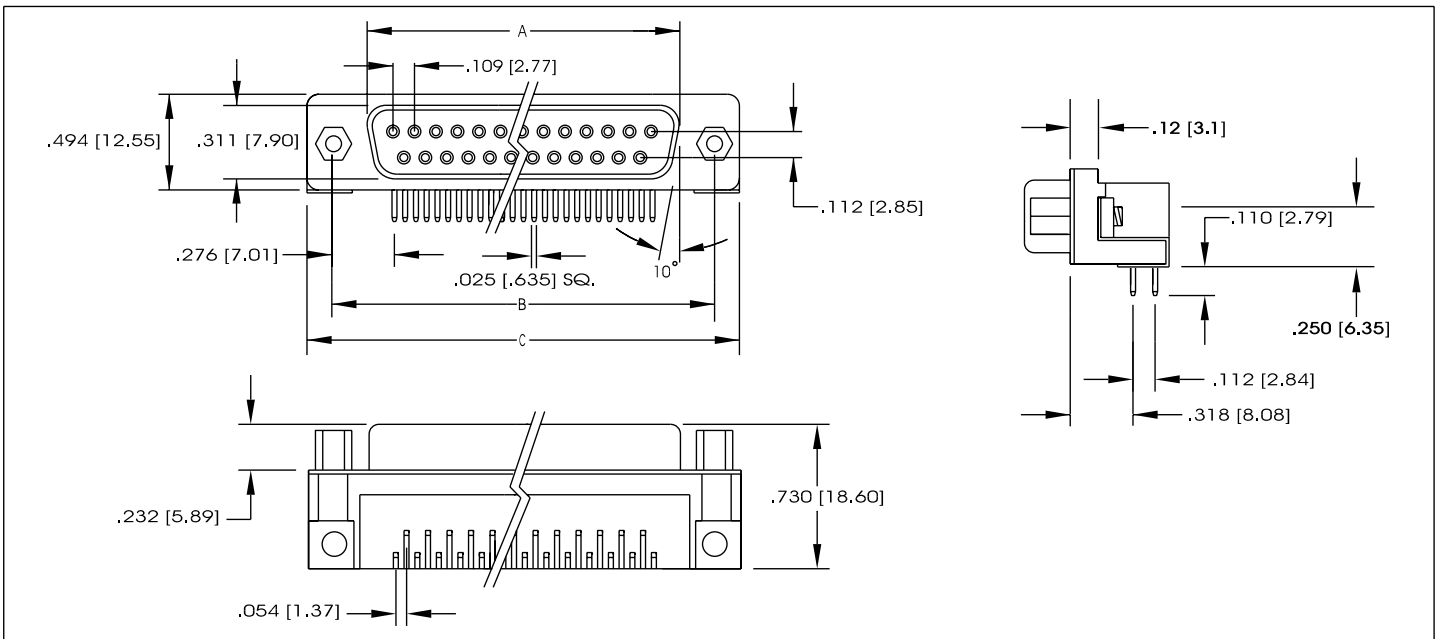
D-Subminiature Right Angle .318" (8.08) Mount M22 Series



PLUG ASSEMBLY



SOCKET ASSEMBLY



Unit: Inch / mm

Dimensional: Socket Assembly				Dimensional: Plug Assembly			
CONTACTS	A	B	C	CONTACTS	A	B	C
9	.643 (16.33)	.984 (24.99)	1.213 (30.81)	9	.666 (16.92)	.984 (24.99)	1.213 (30.81)
15	.971 (24.66)	1.312 (33.32)	1.541 (39.14)	15	.994 (25.25)	1.312 (33.32)	1.541 (39.14)
25	1.511 (38.38)	1.852 (47.04)	2.088 (53.04)	25	1.534 (38.96)	1.852 (47.04)	2.088 (53.04)
37	2.159 (54.84)	2.500 (63.50)	2.729 (69.32)	37	2.182 (55.42)	2.500 (63.50)	2.729 (69.32)



North and South America:
Methode Electronics, Inc. Connector Products
 1700 Hicks Road • Rolling Meadows, IL 60008 USA
 847-392-3500 • Toll Free: 800-323-6864 • Fax: 847-392-9404
 Email: info@methode.com • Web: www.methode.com/connector/index.html

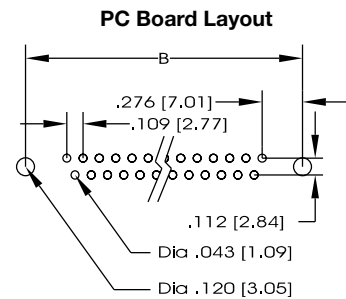
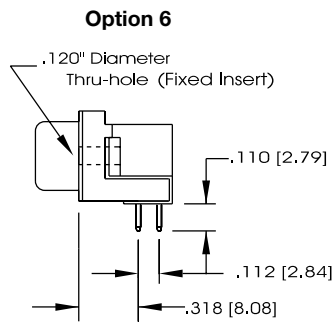
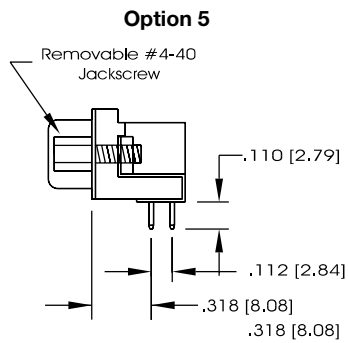
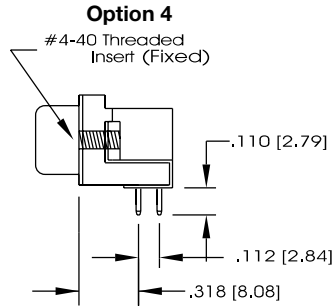
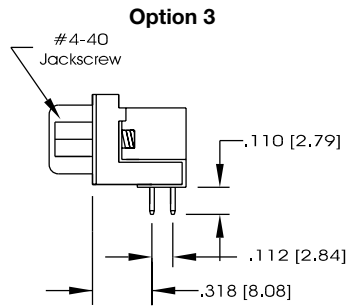
Europe:
Methode Electronics Ireland, Ltd.
 Unit H, Crossagalla Business Park, Ballysimon Rd. • Limerick, Ireland
 +353 (0) 61 401222 • Fax: +353 (0) 61 401942
 Email: info@methode.ie • Web: ireland.methode.com/main.html

Far East:
Methode Electronics Far East, Pte. Ltd.
 1 Tuas Lane, Jurong Town • Singapore 638610
 65-68615444 • Fax: 65-68614777
 Email: sales@methode.com.sg • Web: www.methode.com/mefe/index.html

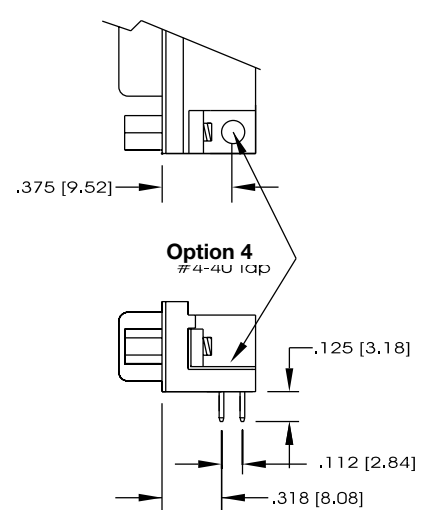
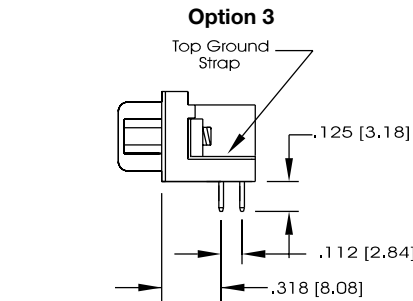
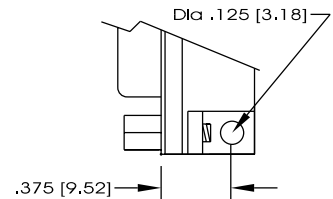
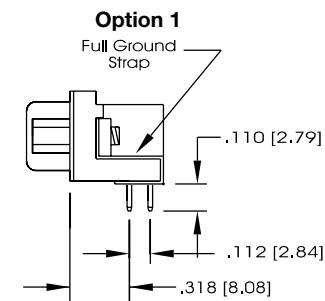
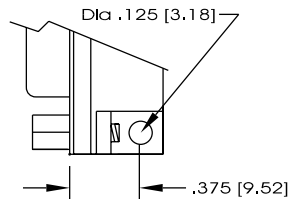
D-Subminiature Right Angle .318" (8.08) Mount M22 Series



MATING FACE MOUNTING OPTIONS



PC BOARD MOUNTING OPTIONS



Option 2

