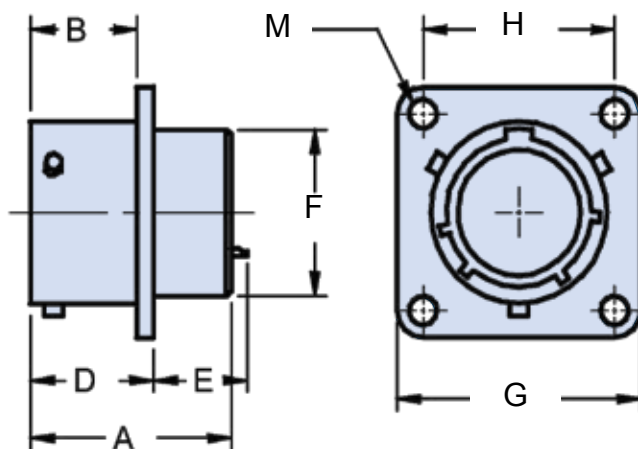
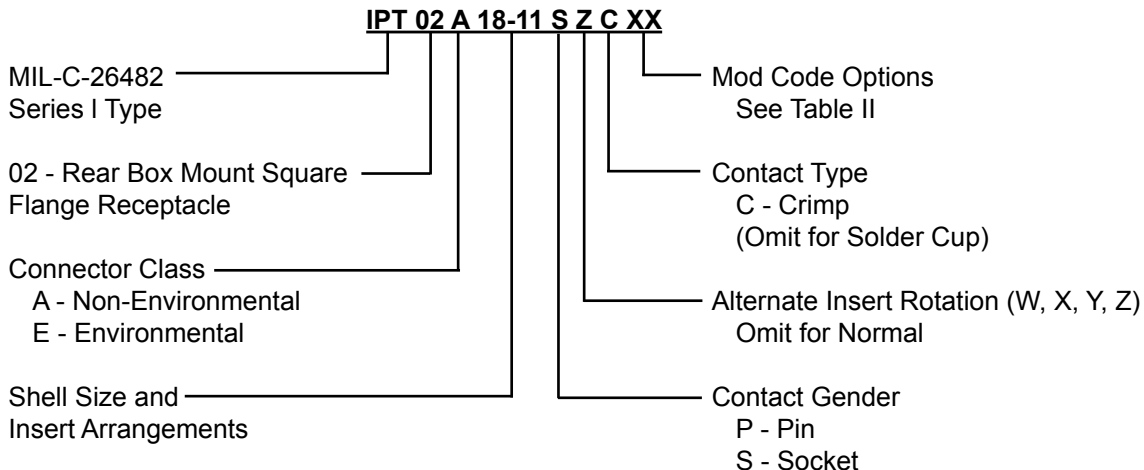


IPT 02 A and IPT 02 E Rear Box Mount Square Flange Receptacle



APPLICATION NOTES

1. Box mount receptacle with threaded mounting holes; no rear accessory threads.
2. Connector Class "A" (non-environmental).
Connector Class "E" (environmental)—Wire sealing grommet and insert seal supplied.
3. Standard materials configuration consists of aluminum alloy with stainless steel coupling pins.
4. Standard contact material consists of copper alloy with gold plating over nickel.
5. Standard insert is high insulation synthetic rubber.

IPT 02 A and IPT 02 E Rear Box Mount Square Flange Receptacle



TABLE I: DIMENSIONS

| Shell size | A Max. | B +0.25 -0 | D +0.6 -0.25 | E Max. | F Max. | G ±0.4 | H ±0.1 | M ±0.12 |
|------------|-----------|------------------|--------------------|-----------|-----------|-----------|-----------|------------|
| 8 | 21.0 | 10.95 | 12.5 | 11.8 | 11.40 | 20.6 | 15.10 | 3.04 |
| 10 | 21.0 | 10.95 | 12.5 | 11.8 | 14.55 | 23.8 | 18.25 | 3.04 |
| 12 | 21.0 | 10.95 | 12.5 | 11.8 | 17.75 | 26.2 | 20.60 | 3.04 |
| 14 | 21.0 | 10.95 | 12.5 | 11.8 | 20.90 | 28.6 | 23.00 | 3.04 |
| 16 | 21.0 | 10.95 | 12.5 | 11.8 | 24.10 | 31.0 | 24.60 | 3.04 |
| 18 | 21.0 | 10.95 | 12.5 | 11.8 | 27.25 | 33.3 | 27.00 | 3.04 |
| 20 | 27.4 | 14.10 | 16.5 | 13.4 | 30.45 | 36.5 | 29.35 | 3.04 |
| 22 | 27.4 | 14.10 | 16.5 | 13.4 | 33.60 | 39.7 | 31.75 | 3.04 |
| 24 | 28.2 | 15.00 | 17.3 | 12.5 | 36.80 | 42.9 | 34.90 | 3.73 |

TABLE II: MODIFICATION CODES

| Shell Finish (Omit for Standard Cad/Olive Drab Finish) | Assembly with Accessories (Omit for Standard Version) |
|---|--|
| F2 - Bright Nickel Plating (RoHs) | Key Polarization (Omit for N version) W, X, Y, Z = Alternates |
| F6 - Black Electrodeposited Paint (RoHs) | N0 - Connector Less Backshell |
| F7 - Black Zn-Co Plating (RoHs) | GXXX - Custom Designed Connector |
| F8 - Olive Drab Zn-Co Plating | |

STANDARD FINISHES (For QQ-A-591 Aluminum Shells)

| Requirements | IAW RoHS | | | Not IAW RoHS | |
|--------------------------------|------------------------|-------------------------|---------------------|--|--|
| | F2 Electrolytic Nickel | F6 Black Non Conductive | F7 Black Conductive | G3 Cadmium with Olive Drab Passivation | F8 Zinc Cobalt with Olive Drab Passivation |
| Thermal Shock | -40°C + 100°C | -55°C + 125°C | -55°C + 125°C | -55°C + 125°C | -40°C + 100°C |
| Salt Spray After Thermal Shock | 24 hour | 500 hour | 500 hour | 500 hour | 200 hour |
| Electical Conductivity | Very Good | NO | Very Good | Very Good | Good |
| Abrasion Resistance | Very Good | Very Good | Good | Very Good | Good |