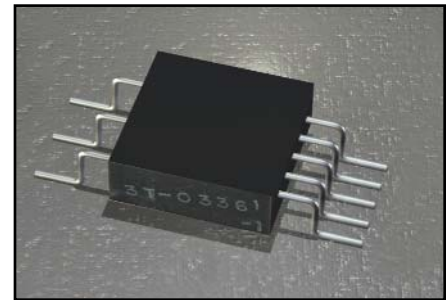


Dual ratio surface mount MIL-PRF-21038 interface transformers

- qualified for use in MIL-STD-1553 applications
- dual ratio in a single package, see schematic
- performance to MIL-PRF-21038/27 requirements
- two packages available: Package A has gull-wing leads; Package B is flat pack



HY1553SM-45 (Package "A")

APPLICABLE SPECIFICATIONS

- MIL-STD-1553B ■ MIL-PRF-21038/27
- MIL-STD-202 ■ MIL-T-10727

CHARACTERISTICS

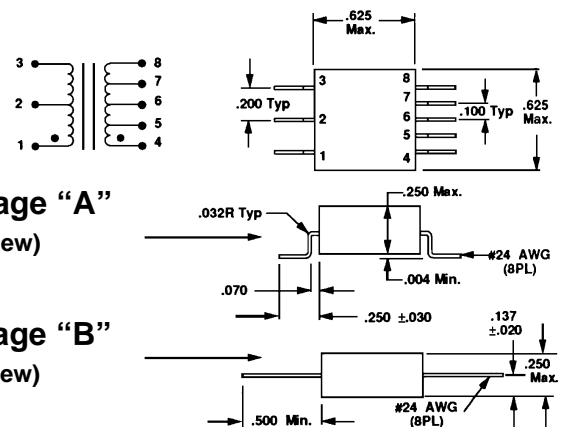
PART NUMBER	PACKAGE	HEIGHT (in.) MAX	TERMINALS	RATIO (±3%)	RDC (ohms) MAX	IMPEDANCE (ohms) MIN
HYSM1553-45*	A	.250	1-3:4-8 1-3:5-7	1CT:2.50CT 1CT:1.79CT	1-3 1.0 4-8 3.5	(4-8) 4,000
HYFP1553-45*	B	.250	1-3:4-8 1-3:5-7	1CT:2.50CT 1CT:1.79CT	1-3 1.0 4-8 3.5	(4-8) 4,000

*Designed for transceivers utilizing a single supply voltage (+5V).

SUMMARY PERFORMANCE SPECIFICATIONS

Impedance.....	see table
Droop.....	≤ 20%
Overshoot.....	± 1V max
Common mode rejection (CMR).....	≥ 45 dB
Frequency range (no load).....	75 kHz to 1MHz
Operating temperature range.....	-55°C to 125°C
Weight.....	≤ 5 grams
Insulation resistance (min).....	10K megohms @ 250 Vdc
Dielectric withstanding voltage.....	100 Vrms

SCHEMATIC AND DIMENSIONS



Note -- All dimensions are in inches.