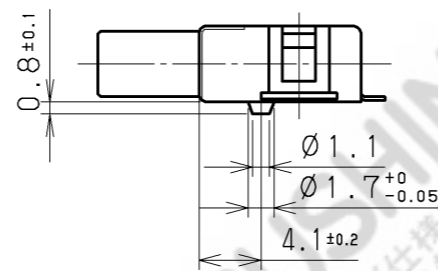
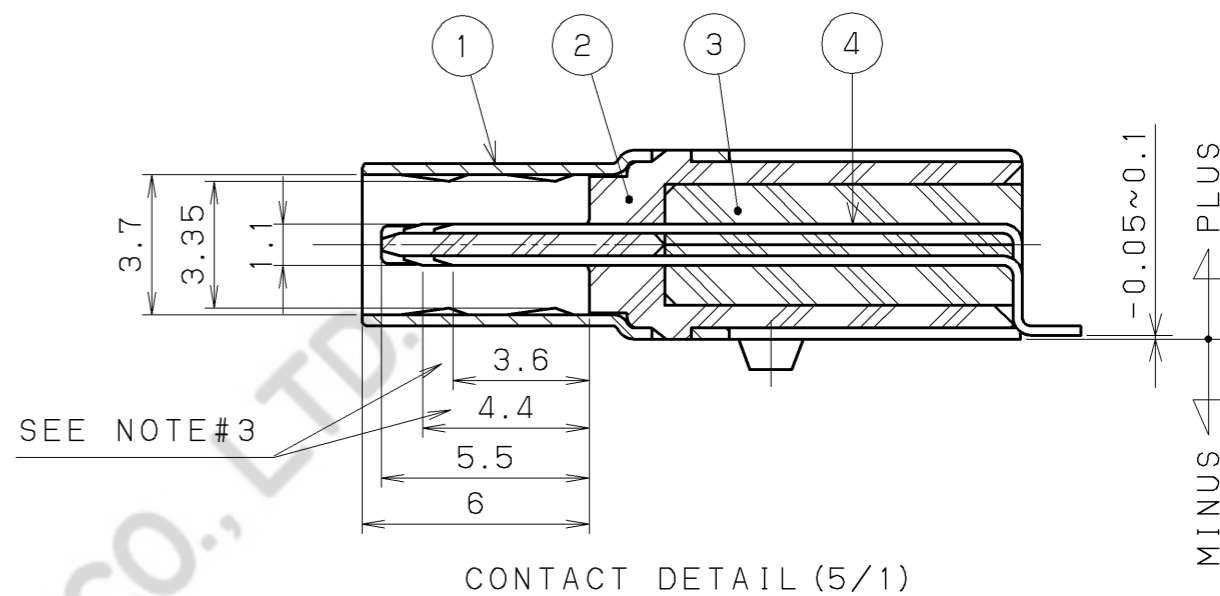


3. CONTACT SEQUENCE

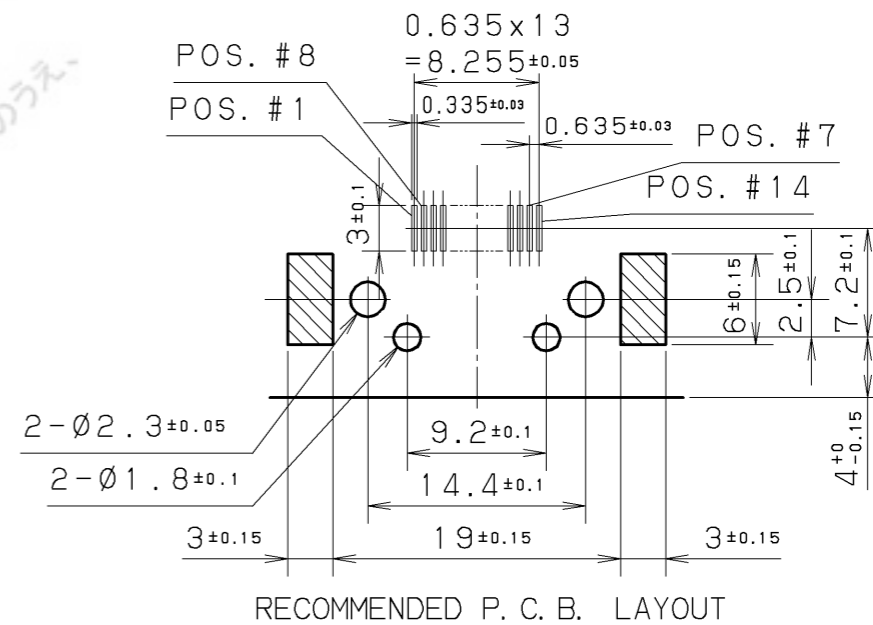
CONTACT LENGTH	CONTACT POS. NO.
4.4mm	POS. #1, 7, 8, 14
3.6mm	OTHERS



NOTE

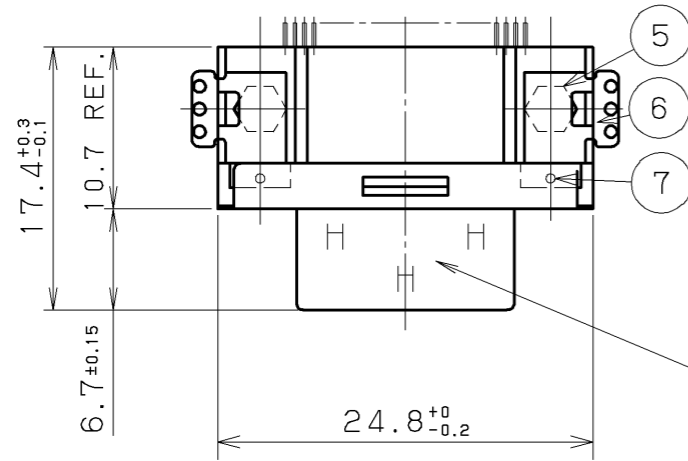
1. SPECIFICATION  
 RATED CURRENT: 0.5A  
 RATED VOLTAGE: 125V AC (r. m. s.)

2. CONTACT PLATING  
 0.76µm MIN. GOLD ON MATING AREA,  
 0.05µm GOLD ON TERMINATION AREA,  
 ALL OVER 1.5µm MIN. NICKEL UNDERPLATED.



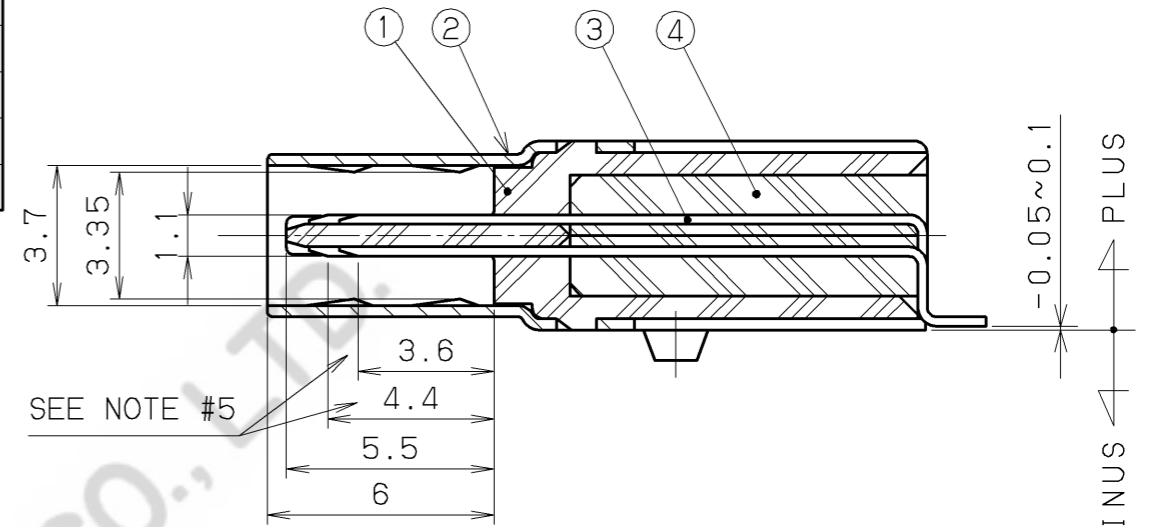
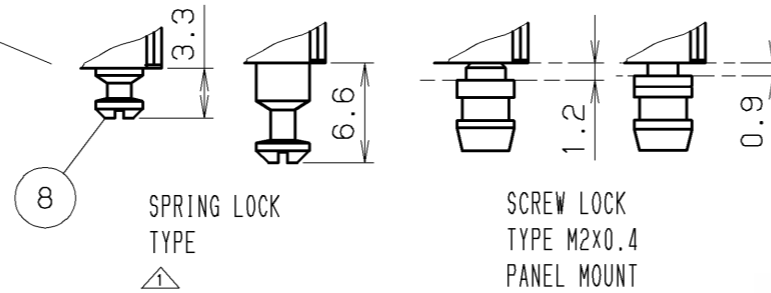
7	SQR. NUT	BRASS	2	NICKEL PLATING	M2x0.4
6	EARTH PLATE	PHOSPHOR BRONZE	2	NICKEL PLATING	—
5	HEX. NUT	STEEL	—	NICKEL PLATING	M2x0.4
4	CONTACT	PHOSPHOR BRONZE	14	NOTE#2	—
3	INSULATOR B	PPS (GF)	1	—	UL94V-0 BLACK COLOR
2	INSULATOR A	PPS (GF)	1	—	UL94V-0 BLACK COLOR
1	SHELL	STEEL	1	NICKEL PLATING	—

LTR.	DATE	BY	REV.	DESCRIPT	No.	PART NAME	MATERIAL	QTY	FINISH	NOTE
	DATE		SCALE		UNIT	3RD. A. P	HONDA TSUSHIN KOGYO CO., LTD.			
	Mar. 29(2004)		2 / 1		mm (INCH)					
	APP. DATE&REV.									
	DR.	DE.	CHK.	CHK.	APP.	NAME	0.8mm SPACING 14POS. RIGHTANGLE MALE CONNECTOR			REV.
	Y. KATO	Y. KATO	—	C. NUNOKAWA	H. EBIHARA	PART NO.	HDR-EA14LMYPG1+			

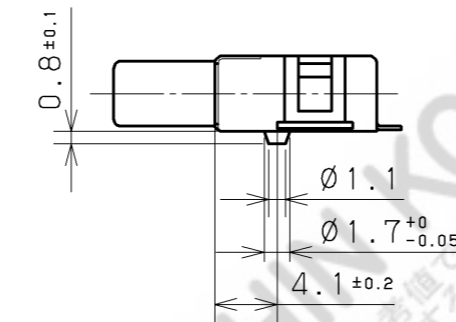
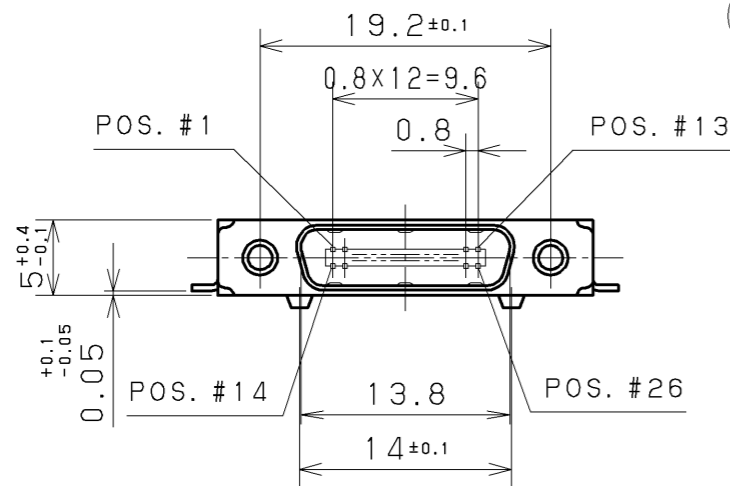


PART No.	TYPE	NOTE
HDR-EA26LMYPG1+		
HDR-EA26LMYPG1-SLE+	SPRING LOCK TYPE (6.6)	
HDR-EA26LMYPG1-SLF+	SCREW LOCK (PANEL 0.9)	SEE NOTE #4
HDR-EA26LMYPG1-SLG+	SCREW LOCK (PANEL 1.2)	SEE NOTE #4
HDR-EA26LMYPG1-SLK+	SPRING LOCK TYPE (3.3)	

LOCK SCREWS

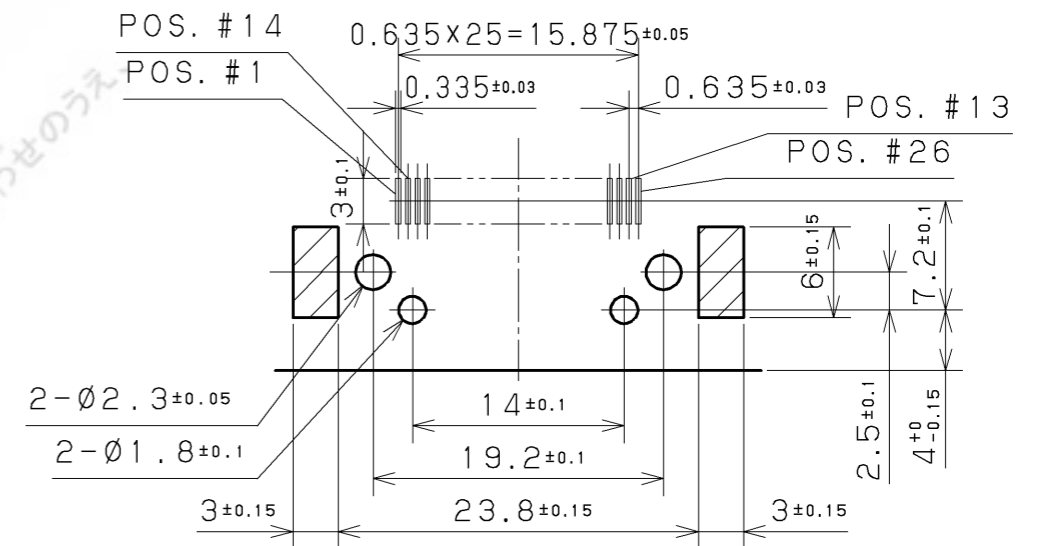


CONTACT DETAIL (5/1)

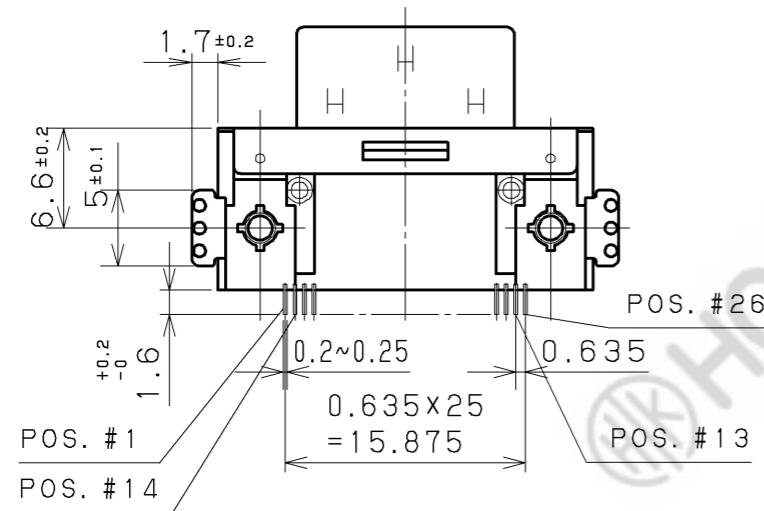


5. CONTACT SEQUENCE

CONTACT LENGTH	CONTACT POS. NO.
4.4 mm	POS. #1, 13, 14, 26
3.6 mm	OTHERS



RECOMMENDED P. C. B. LAYOUT



1. SPECIFICATION

RATED CURRENT 0.5A  
RATED VOLTAGE 125V AC (r. m. s.)

2. CONTACT PLATING

MATING AREA: 0.76 MICRO METERS MINIMUM GOLD PLATING  
TERMINATION AREA: 0.05 MICRO METERS MINIMUM GOLD PLATING

UNDERPLATING: NICKEL PLATING

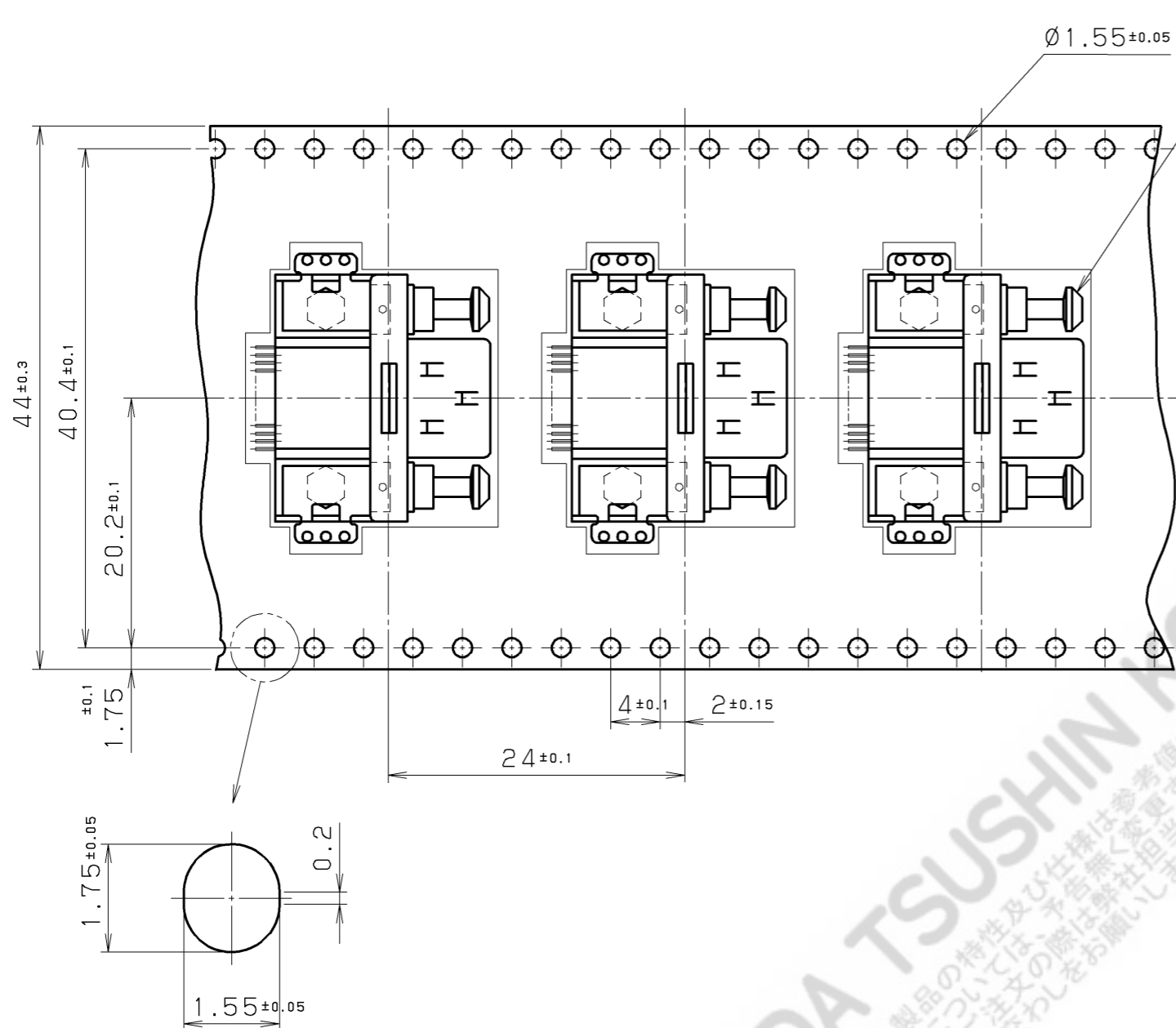
3. MATING CONNECTOR

HDR-E26FAG1+

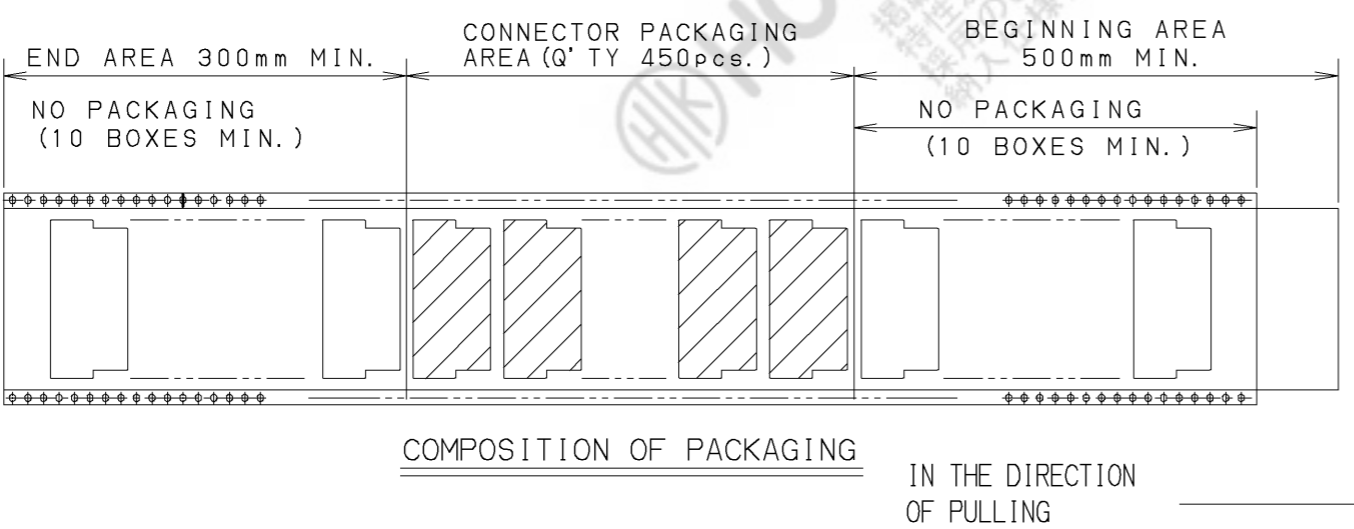
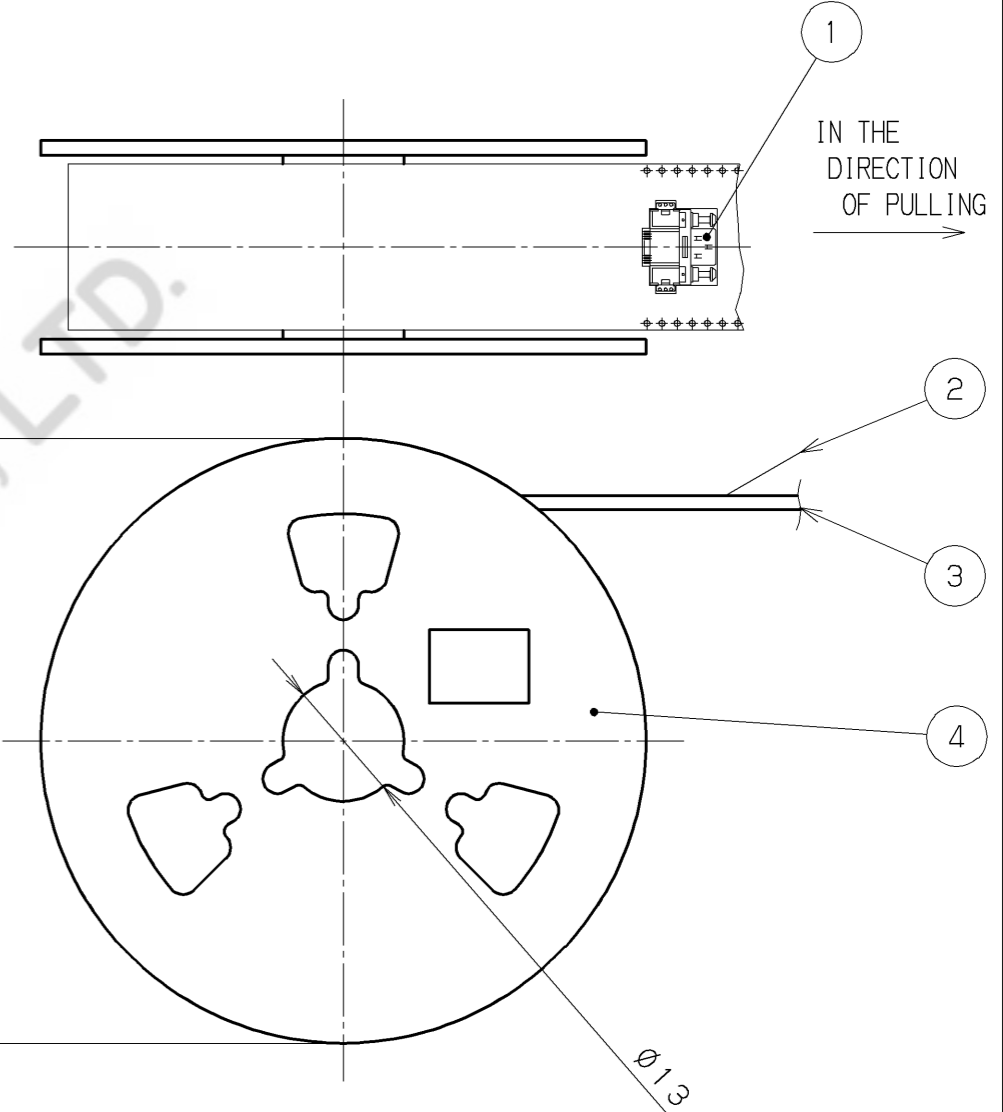
4. TWO LOCK SCREWS (ITEM#8) ARE SUPPLIED WITH CONNECTOR.

8	LOCK SCREW	STEEL	2	NICKEL PLATING	M2x0.4
7	HEX. NUT	STEEL	2	NICKEL PLATING	M2x0.4
6	EARTH PLATE	PHOSPHOR BRONZE	2	NICKEL PLATING	
5	SQR. NUT	BRASS	2	NICKEL PLATING	M2x0.4
4	INSULATOR B	PPS (GF)	1		UL94V-0 BLACK COLOR
3	CONTACT	PHOSPHOR BRONZE	26	SEE NOTE #2	
2	SHELL	STEEL	1	NICKEL PLATING	
1	INSULATOR A	PPS (GF)	1		UL94V-0 BLACK COLOR

DATE	SCALE	UNIT	3RD. A. P	HONDA TSUSHIN KOGYO CO., LTD.						
Feb. 23. 2004	2/1	mm (INCH)								
APP. DATE & REV.				DR.	DE.	CHK.	CHK.	APP.	NAME	0.8mm SPACING 26POS. RIGHTANGLE MALE CONNECTOR
				Y. KATO	Y. KATO		C. NUNOKAWA	H. EBIHARA	PART NO.	HDR-EA26LMYPG1-( )+
				REV. 1A						



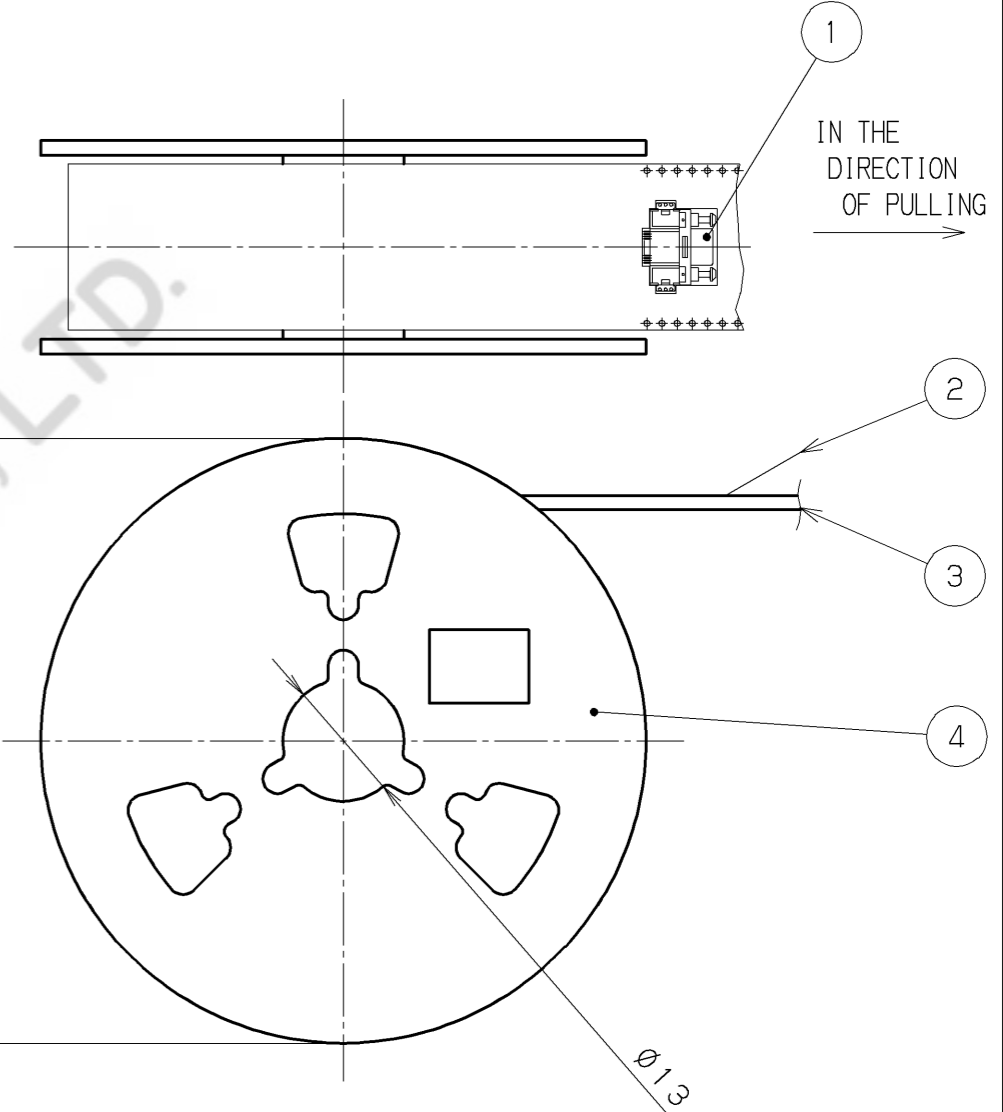
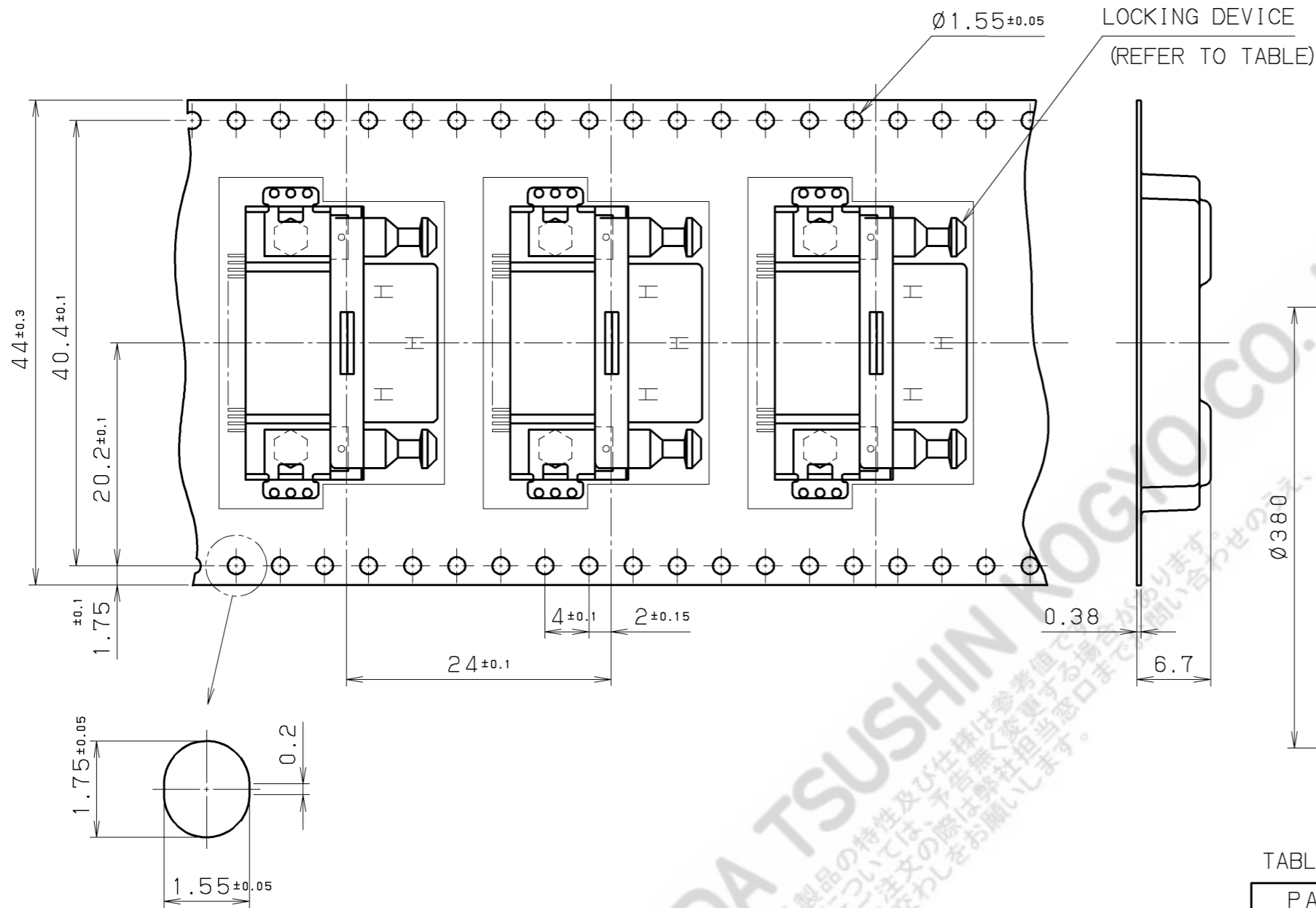
LOCKING DEVICE  
(REFER TO TABLE)



TABLE

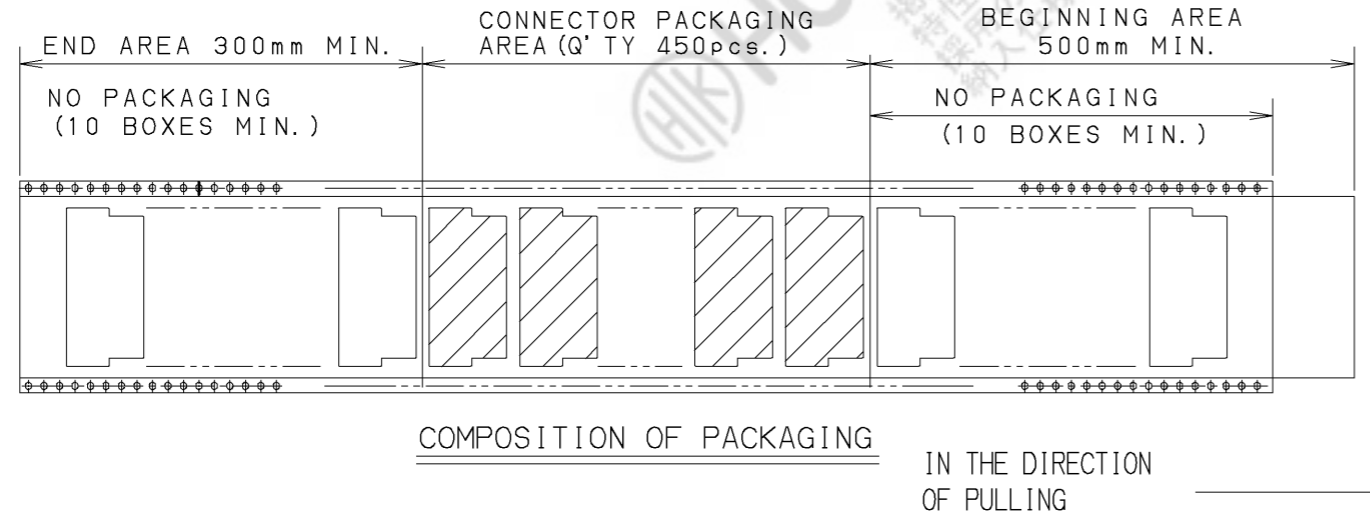
PART No.	CONNECTOR PART No.	NOTE
HDR-EA14LMYPG1-TP+	HDR-EA14LMYPG1	W/O LOCKING DEVICE
HDR-EA14LMYPG1-SLE-TP+	HDR-EA14LMYPG1-SLE	WITH LOCKING DEVICE

LTR.	DATE	BY	REV.	DESCRIPT	No.	PART NAME	MATERIAL	QTY	FINISH	NOTE		
					4	REEL	PAPER	1				
					3	EMBOSSSED TAPE	P. P.					
					2	COVER TAPE	P. E.					
					1	CONNECTOR		450		SEE TABLE		
DATE 7. JAN. 1997						SCALE X	UNIT mm (INCH)	3RD. A. P	HONDA TSUSHIN KOGYO CO., LTD.			
APP. DATE & REV.						DR.	DE.	CHK.	CHK.	APP.	NAME	*HDR TYPE 14POS. MALE CONNECTOR WITH EMBOSSSED TAPE AND REEL
						Y. KATO	Y. KATO	—	C. NUNOKAWA	H. EBIHARA	PART NO.	HDR-EA14LMYPG1 ( ) -TP+



TABLE

PART No.	CONNECTOR PART No.	NOTE
HDR-EA26LMYPG1-TP+	HDR-EA26LMYPG1+	W/O LOCKING DEVICE
HDR-EA26LMYPG1-SLE-TP+	HDR-EA26LMYPG1-SLE+	WITH LOCKING DEVICE



△					4	REEL	PAPER	1		
△					3	EMBOSSED TAPE	P. P.			
△					2	COVER TAPE	P. E.			
△					1	CONNECTOR		450		SEE TABLE
LTR.	DATE	BY	REV.	DESCRIP	No.	PART NAME	MATERIAL	QTY	FINISH	NOTE
	May. 18. 2004									
APP. DATE & REV.					SCALE	UNIT	3RD. A. P			
					x	mm (INCH)	HONDA TSUSHIN KOGYO CO., LTD.			
DR.	DE.	CHK.	CHK.	APP.	NAME		*HDR TYPE 26POS. MALE CONNECTOR WITH EMBOSSED TAPE AND REEL			
Y. KATO	Y. KATO			H. EBIHARA	PART NO.		HDR-EA26LMYPG1-( )-TP+			
					REV.					