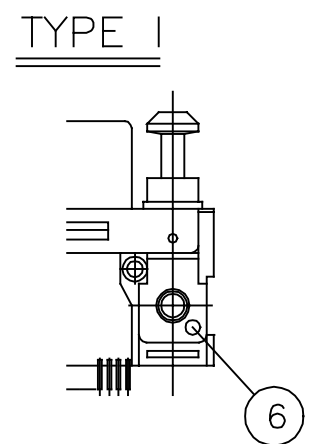
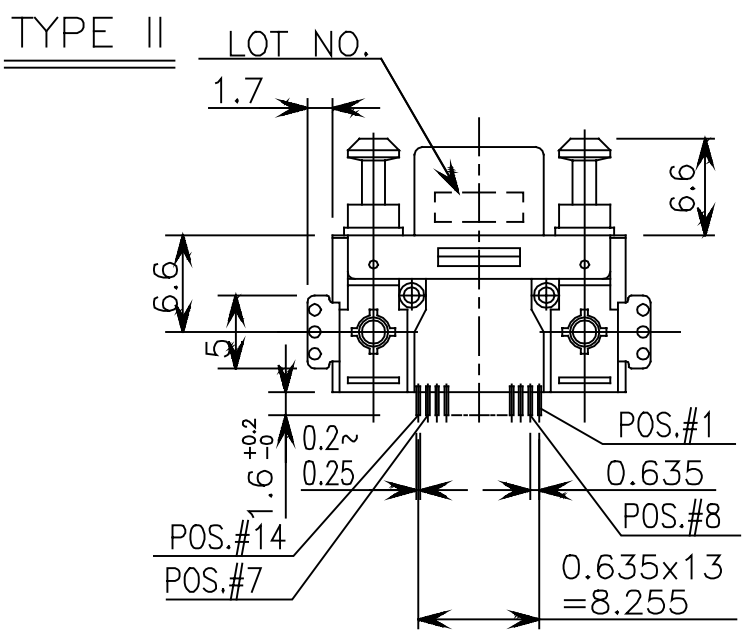
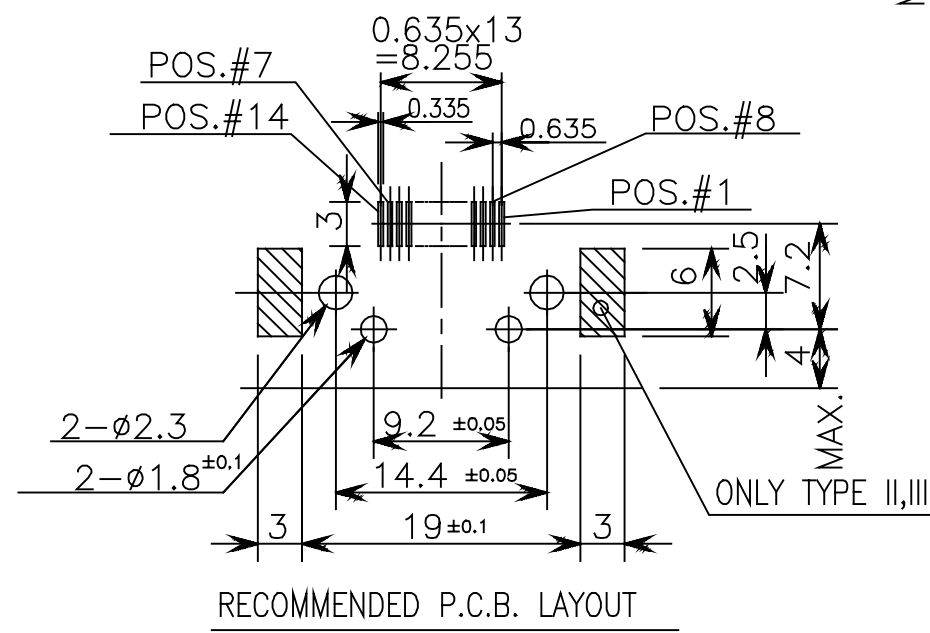
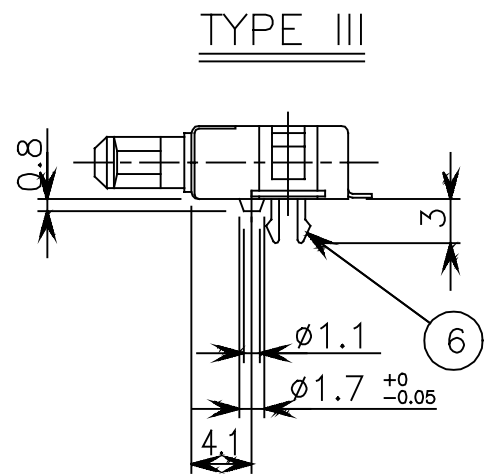
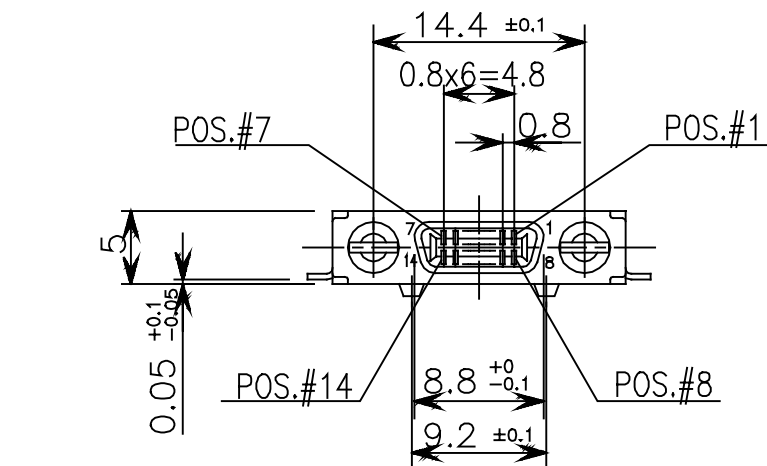
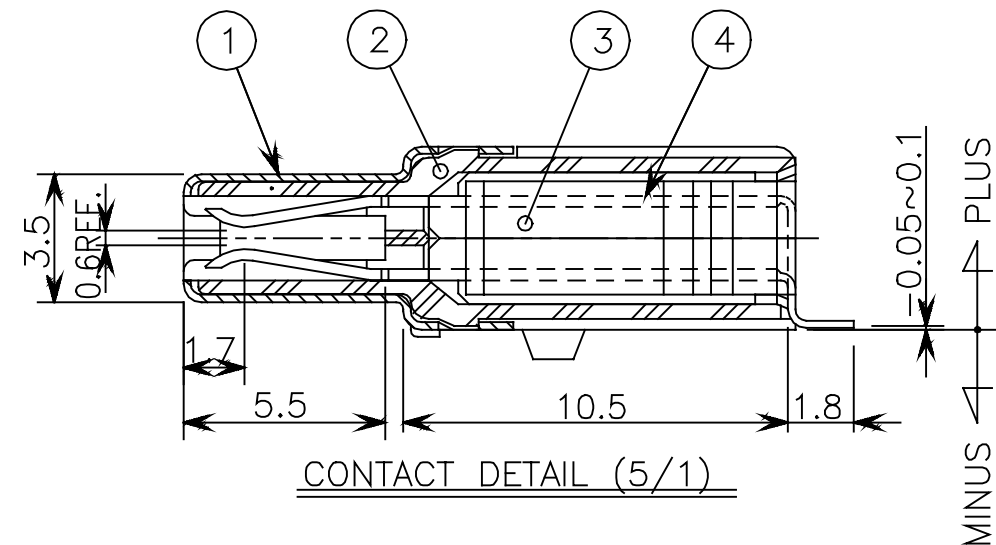


NOTE  
 1.SPECIFICATION  
 RATED CURRENT:0.5A(PEAK TO PEAK 1A/1 CONTACT)  
 VOLTAGE:125V AC(r.m.s.)  
 2.CONTACT PLATING  
 0.5μm MIN.PALLADIUM/NICKEL+0.1 μm MIN.GOLD  
 ON MATING AREA, 2μm TIN/LEAD ON TERMINATION AREA,  
 ALL OVER 1μm MIN. NICKEL UNDERPLATED.



HONDA  
 PRINT RM  
 MAR.24.1999  
 ISSUED

8	LOCKING DEVICE	STEEL	2	NICKEL	
7	SQR.NUT	BRASS	2	NICKEL	M2x0.4
6	EARTH PLATE	PHOSPHOR BRONZE	2	TIN/LEAD	
5	HEX.NUT	STEEL		NICKEL	M2x0.4
4	CONTACT	PHOSPHOR BRONZE	14	NOTE#2	
3	INSULATOR B	PPS(GF)	1		UL94V-0 BLACK COLOR
2	INSULATOR A	PPS(GF)	1		UL94V-0 BLACK COLOR
1	SHELL	STEEL	1	NICKEL	

PART NO.	MOUNTING STRUCTURE	QTY OF HEX.NUT	P.C.B THICKNESS
HDR-EA14LFY-SLE	TYPE I (SCREW)	2	1.0
HDR-EA14LFYP-SLE	TYPE II (SCREW+HOLD DOWN)	2	1.0
HDR-EA14LFYW-SLE	TYPE III (LOCK PIN+HOLD DOWN)		1.6
HDR-EA14LFYW2-SLE			0.8

LTR.	DATE	BY	REV.	DESCRIPT	NO.	PART NAME	MATERIAL	QTY	FINISH	NOTE
	MAR.24(1999)									

DATE	SCALE	UNIT	3RD . A . P	HONDA TSUSHIN KOGYO., LTD.			
MAR.24(1999)	2 / 1	mm(INCH)		DR	DE	CHK	
				CHK	APP	NAME	0.8mm SPACING 14POS. RIGHT ANGLE FEMALE CONNECTOR
						PART NO.	HDR-EA14LFY( )-SLE
							REV.

HDR-EA14LFY-SLE E