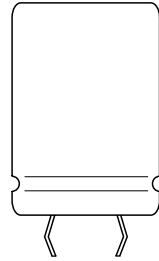
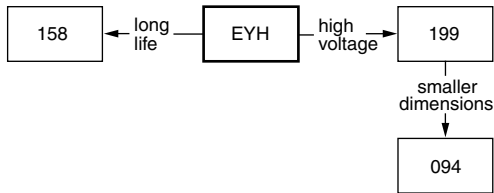


# Aluminum Capacitors

## Standard - 105 °C Snap-in



Component Outline


**FEATURES**

- Polarized aluminum electrolytic capacitors
- Small dimensions
- High C•U product


**RoHS**  
COMPLIANT

**APPLICATIONS**

- General purpose audio/video systems, industrial electronics, telecommunication
- Smoothing and filtering
- Standard and switch mode power supplies

**QUICK REFERENCE DATA**

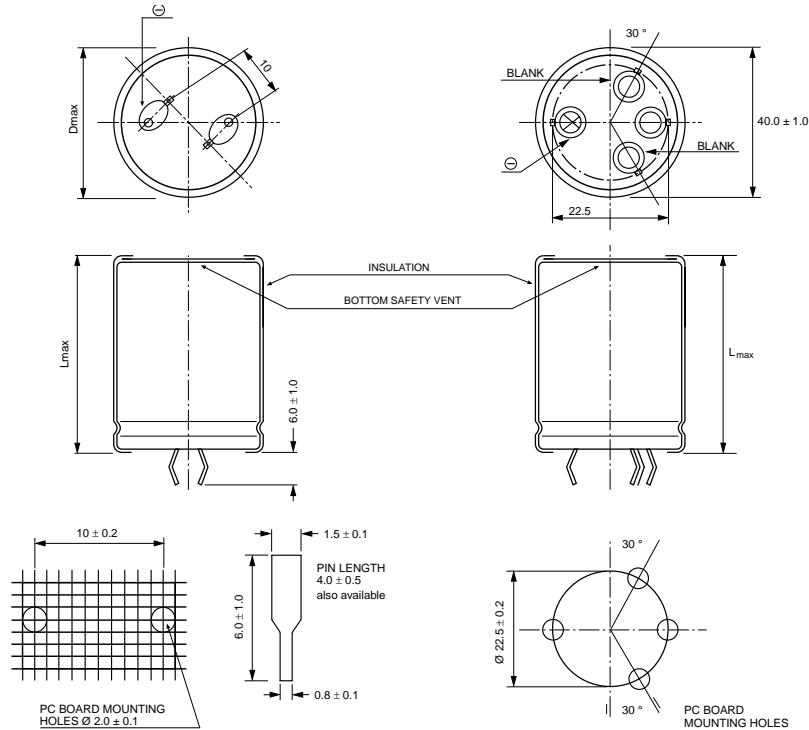
DESCRIPTION	UNIT	LOW VOLTAGE *
Nominal Case Size (Ø D x L)	mm	22 x 25 to 40 x 60
Rated Capacitance Range C <sub>R</sub>	µF	820 to 68 000
Capacitance Tolerance	%	± 20
Rated Voltage Range	V	6.3 to 100
Category Temperature Range	°C	- 40 to + 105
Endurance test at upper category temp.	h	2000
Useful life at 40 °C and I <sub>R</sub> applied	h	300 000
Shelf Life (0V, 105 °C)	h	1000
Failure Rate (0.8 U <sub>R</sub> , 40 °C)	10 <sup>-9</sup> /h	≤ 50
Based on Sectional Specifications		IEC 60384-4 / EN 130300
Climatic Category IEC 60068		40/105/56

\* High voltage types are available on special requests

**SELECTION CHART FOR C<sub>R</sub>, U<sub>R</sub> AND RELEVANT NOMINAL CASE SIZES (Ø D x L in mm)**

C <sub>R</sub> (µF)	U <sub>R</sub> (V) ≤ 100 V							
	6.3	10	16	25	35	50	63	100
820	-	-	-	-	-	-	-	22 x 30 25 x 25
1000	-	-	-	-	-	-	-	22 x 35 25 x 30
1200	-	-	-	-	-	-	22 x 25	22 x 40 25 x 35 30 x 25
1500	-	-	-	-	-	-	22 x 30 25 x 25	22 x 45 25 x 40 30 x 30
1800	-	-	-	-	-	-	22 x 30 25 x 25	25 x 45 30 x 35
2200	-	-	-	-	-	22 x 25	22 x 35 25 x 30	25 x 50 30 x 40 35 x 30
2700	-	-	-	-	-	22 x 30	22 x 40 25 x 30 30 x 25	30 x 45 35 x 35

<b>SELECTION CHART FOR C<sub>R</sub>, U<sub>R</sub> AND RELEVANT NOMINAL CASE SIZES (∅ D x L in mm)</b>								
C <sub>R</sub> (μF)	U <sub>R</sub> (V) ≤ 100 V							
	6.3	10	16	25	35	50	63	100
3300	-	-	-	-	22 x 25	22 x 35	22 x 50 25 x 40 30 x 30	30 x 50 35 x 40
3900	-	-	-	-	22 x 30	22 x 40 25 x 35 30 x 25	25 x 45 30 x 35	35 x 45
4700	-	-	-	22 x 25	22 x 35 25 x 25	22 x 45 25 x 40 30 x 30	25 x 40 30 x 40 35 x 30	35 x 50 40 x 40
5600	-	-	-	22 x 30	22 x 35 25 x 30 30 x 25	22 x 50 25 x 40 30 x 35	30 x 45 35 x 35	40 x 50
6800	-	-	-	22 x 30	22 x 40 25 x 35 30 x 30 35 x 25	25 x 50 30 x 40 35 x 30	30 x 50 35 x 40	40 x 50
8200	-	-	22 x 25	22 x 35 25 x 30	22 x 50 25 x 40 30 x 30	30 x 45 35 x 35	35 x 45	-
10 000	-	22 x 25	22 x 30 25 x 25	22 x 40 25 x 35	25 x 45 30 x 35	30 x 50 35 x 40	35 x 50 40 x 60	-
12 000	22 x 25	22 x 30	22 x 35 25 x 30 30 x 25	22 x 45 25 x 40 30 x 30	22 x 50 30 x 40 35 x 30	35 x 45	-	-
15 000	22 x 30	22 x 35 25 x 25	22 x 40 25 x 35 30 x 30	25 x 45 30 x 35 35 x 30	30 x 45 35 x 35	30 x 50 40 x 40	-	-
18 000	22 x 35 25 x 25	22 x 35 25 x 30	22 x 45 25 x 40 30 x 30	25 x 50 30 x 40 35 x 35	35 x 40	40 x 50	-	-
22 000	22 x 35 25 x 30	22 x 40 25 x 35 30 x 25	25 x 45 30 x 35	30 x 45 35 x 35	35 x 45 40 x 40	40 x 50	-	-
27 000	22 x 40 25 x 35 30 x 25	22 x 50 25 x 40 30 x 30	25 x 50 30 x 40 35 x 30	35 x 45 40 x 40	40 x 50	40 x 60	-	-
33 000	22 x 50 25 x 40 30 x 30	25 x 45 30 x 35	30 x 45 35 x 35	-	-	-	-	-
39 000	25 x 45 30 x 35	25 x 50 30 x 40 35 x 30	35 x 45 40 x 40	-	-	-	-	-
47 000	25 x 50 30 x 40 35 x 30	30 x 45 35 x 35	35 x 45 40 x 40	-	-	-	-	-
56 000	30 x 50 35 x 40	35 x 45 40 x 40	40 x 50	-	-	-	-	-
68 000	35 x 45 40 x 40	40 x 50	40 x 60	-	-	-	-	-

**DIMENSIONS** in millimeters **AND AVAILABLE FORMS**


<b>RADIAL STYLE: DIMENSIONS</b> in millimeters, <b>AND PACKAGING QUANTITIES</b>		
<b>NOMINAL CASE SIZE</b>	<b>MAXIMUM SIZE</b>	<b>PACKAGING</b>
22 x 20	23 x 22	<b>200</b>
22 x 25	23 x 27	
22 x 30	23 x 32	
22 x 35	23 x 37	
22 x 40	23 x 42	
22 x 45	23 x 47	
22 x 50	23 x 52	
25 x 20	26.4 x 22	
25 x 25	26.4 x 27	
25 x 30	26.4 x 32	
25 x 35	26.4 x 37	
25 x 40	26.4 x 42	
25 x 45	26.4 x 47	
30 x 20	31 x 22	<b>100</b>
30 x 25	31 x 27	
30 x 30	31 x 32	
30 x 35	31 x 37	
30 x 40	31 x 42	
30 x 45	31 x 47	
30 x 50	31 x 52	
35 x 20	36 x 22	<b>70</b>
35 x 25	36 x 27	
35 x 30	36 x 32	
35 x 35	36 x 37	
35 x 40	36 x 42	
35 x 45	36 x 47	
35 x 50	36 x 52	
40 x 40	41 x 42	<b>50</b>
40 x 50	41 x 52	
40 x 60	41 x 62	



ELECTRICAL DATA	
SYMBOL	DESCRIPTION
C <sub>R</sub>	rated capacitance at 120 Hz
U <sub>R</sub>	rated voltage
tan δ	max. dissipation factor at 120 Hz
ESR	max. equivalent series resistance at 120 Hz
Z	max. impedance at 10 kHz
I <sub>R</sub>	rated alternating current (rms), 120 Hz and upper category temperature
T <sub>a</sub>	ambient temperature
RH	relative humidity
P	ambient pressure

**Note**

Unless otherwise specified, all electrical values apply at T<sub>a</sub> = 20 °C, P = 80 to 120 kPa, RH = 45 to 75 %.

**ORDERING EXAMPLE**

The 12<sup>th</sup> place of ordering code refers to the length of the snap-in pins:

EYH07...02                      0 = snap-in pin 6 mm  
EYH07...42                      4 = snap-in pin 4 mm

The 13<sup>th</sup> place of ordering code refers to the kind of insulation:

EYH07...01                      1 = sleeve insulation

The 14<sup>th</sup> place (□), not indicated in the following table, is an inter-company code and is not relevant to your order.

EYH07LA447F42 = EYH 4700 μF/35 V 22 mm x 35 mm, snap-in pin 4 mm, fully insulated.

ELECTRICAL DATA AND ORDERING INFORMATION								
U <sub>R</sub> (V)	C <sub>R</sub> 120 Hz (μF)	NOMINAL CASE SIZE ∅ D X L (mm)	I <sub>R</sub> 120 Hz 105 °C (A)	TAN D 120 Hz MAX.	ESR 120 Hz MAX. (Ω)	Z 10 KHz MAX. (Ω)	WEIGHT (G)	CATALOG NUMBER
6.3	12 000	22 X 25	2.2	0.66	0.075	0.075	14	EYH07LU512B02□
	15 000	22 X 30	2.5	0.66	0.060	0.060	16	EYH07LV515B02□
	18 000	22 X 35	2.9	0.66	0.050	0.050	19	EYH07LA518B02□
	18 000	25 X 25	2.8	0.74	0.055	0.055	18	EYH07AU518B02□
	22 000	22 X 35	3.0	0.69	0.045	0.040	19	EYH07LA522B02□
	22 000	25 X 30	3.2	0.72	0.045	0.045	21	EYH07AV522B02□
	27 000	22 X 40	3.4	0.69	0.035	0.035	22	EYH07LB527B02□
	27 000	25 X 35	3.5	0.73	0.040	0.035	25	EYH07AA527B02□
	27 000	30 X 25	3.4	0.90	0.045	0.045	25	EYH07BU527B02□
	33 000	22 X 50	3.9	0.68	0.030	0.030	27	EYH07LD533B02□
	33 000	25 X 40	3.9	0.74	0.030	0.030	28	EYH07AB533B02□
	33 000	30 X 30	3.8	0.87	0.035	0.035	30	EYH07BV533B02□
	39 000	25 X 45	4.3	0.74	0.030	< 0.030	31	EYH07AC539B02□
	39 000	30 X 35	4.2	0.86	0.030	0.030	35	EYH07BA539B02□
	47 000	25 X 50	4.6	0.76	< 0.030	< 0.030	35	EYH07AD547B02□
	47 000	30 X 40	4.6	0.87	< 0.030	< 0.030	40	EYH07BB547B02□
	47 000	35 X 30	4.5	1.13	0.035	0.035	41	EYH07CV547B02□
	56 000	30 X 50	5.2	0.82	< 0.030	< 0.030	50	EYH07BD556B02□
56 000	35 X 40	5.1	0.97	< 0.030	< 0.030	55	EYH07CB556B02□	
68 000	35 X 45	5.5	1.01	< 0.030	< 0.030	62	EYH07CC568B02□	
68 000	40 X 40	5.6	1.14	< 0.030	< 0.030	72	EYH07DB568B02□	
10	10 000	22 X 25	2.2	0.59	0.080	0.075	14	EYH07LU510C02□
	12 000	22 X 30	2.5	0.57	0.065	0.060	16	EYH07LV512C02□
	15 000	22 X 35	2.8	0.59	0.055	0.050	19	EYH07LA515C02□
	15 000	25 X 25	2.8	0.66	0.060	0.055	18	EYH07AU515C02□
	18 000	22 X 35	3.0	0.61	0.045	0.045	19	EYH07LA518C02□
	18 000	25 X 30	3.1	0.65	0.050	0.050	21	EYH07AV518C02□
	22 000	22 X 40	3.4	0.62	0.040	0.040	22	EYH07LB522C02□
	22 000	25 X 35	3.5	0.65	0.040	0.040	25	EYH07AA522C02□
	22 000	30 X 25	3.4	0.81	0.050	0.050	25	EYH07BU522C02□
	27 000	22 X 50	3.9	0.61	0.030	0.030	27	EYH07LD527C02□
	27 000	25 X 40	3.9	0.66	0.035	0.035	28	EYH07AB527C02□



Aluminum Capacitors  
Standard - 105 °C Snap-in

Vishay Roederstein

ELECTRICAL DATA AND ORDERING INFORMATION								
U <sub>R</sub> (V)	C <sub>R</sub> 120 Hz (μF)	NOMINAL CASE SIZE ∅ D X L (mm)	IR 120 Hz 105 °C (A)	TAN D 120 Hz MAX.	ESR 120 Hz MAX. (Ω)	Z 10 KHz MAX. (Ω)	WEIGHT (G)	CATALOG NUMBER
10	27 000	30 X 30	3.8	0.79	0.040	0.040	30	EYH07BV527C02□
	33 000	25 X 45	4.3	0.67	0.030	0.030	31	EYH07AC533C02□
	33 000	30 X 35	4.2	0.79	0.035	0.030	35	EYH07BA533C02□
	39 000	25 X 50	4.6	0.69	< 0.030	< 0.030	35	EYH07AD539C02□
	39 000	30 X 40	4.6	0.79	0.030	0.030	40	EYH07BB539C02□
	39 000	35 X 30	4.5	1.05	0.040	0.035	41	EYH07CV539C02□
	47 000	30 X 45	5.0	0.81	< 0.030	< 0.030	45	EYH07BC547C02□
	47 000	35 X 35	4.9	1.04	0.030	0.030	48	EYH07CA547C02□
	56 000	35 X 45	5.5	0.93	< 0.030	< 0.030	62	EYH07CC556C02□
	56 000	40 X 40	5.6	1.05	< 0.030	< 0.030	72	EYH07DB556C02□
68 000	40 X 50	6.2	0.99	< 0.030	< 0.030	89	EYH07DD568C02□	
16	8200	22 X 25	2.1	0.49	0.080	0.075	14	EYH07LU482D02□
	10 000	22 X 30	2.5	0.48	0.065	0.060	16	EYH07LV510D02□
	10 000	25 X 25	2.6	0.51	0.070	0.065	18	EYH07AU510D02□
	12 000	22 X 35	2.8	0.48	0.055	0.050	19	EYH07LA512D02□
	12 000	25 X 30	2.9	0.50	0.060	0.055	21	EYH07AV512D02□
	12 000	30 X 25	3.0	0.54	0.060	0.055	25	EYH07BU512D02□
	15 000	22 X 40	3.2	0.48	0.045	0.040	22	EYH07LB515D02□
	15 000	25 X 35	3.3	0.50	0.045	0.045	25	EYH07AA515D02□
	15 000	30 X 30	3.4	0.53	0.050	0.045	30	EYH07BV515D02□
	18 000	22 X 45	3.5	0.49	0.040	0.035	24	EYH07LC518D02□
	18 000	25 X 40	3.7	0.50	0.040	0.035	28	EYH07AB518D02□
	18 000	30 X 30	3.6	0.58	0.045	0.040	30	EYH07BV518D02□
	22 000	25 X 45	4.0	0.51	0.035	0.030	31	EYH07AC522D02□
	22 000	30 X 35	4.0	0.58	0.035	0.035	35	EYH07BA522D02□
	27 000	25 X 50	4.4	0.53	0.030	< 0.030	35	EYH07AD527D02□
	27 000	30 X 40	4.4	0.59	0.030	0.030	40	EYH07BB527D02□
	27 000	35 X 30	4.3	0.74	0.040	0.035	41	EYH07CV527D02□
	33 000	30 X 45	4.8	0.61	< 0.030	< 0.030	45	EYH07BC533D02□
	33 000	35 X 35	4.7	0.75	0.035	0.030	48	EYH07CA533D02□
	39 000	30 X 50	5.2	0.62	< 0.030	< 0.030	50	EYH07BD539D02□
	39 000	35 X 40	5.1	0.75	0.030	< 0.030	55	EYH07CB539D02□
	47 000	35 X 45	5.5	0.74	< 0.030	< 0.030	62	EYH07CC547D02□
	47 000	40 X 40	5.6	0.88	< 0.030	< 0.030	72	EYH07DB547D02□
	56 000	40 X 50	6.2	0.81	< 0.030	< 0.030	89	EYH07DD556D02□
	68 000	40 X 60	6.8	0.80	< 0.030	< 0.030	107	EYH07DF568D02□

**ELECTRICAL DATA AND ORDERING INFORMATION**

U <sub>R</sub> (V)	C <sub>R</sub> 120 Hz (μF)	NOMINAL CASE SIZE Ø D X L (mm)	IR 120 Hz 105 °C (A)	TAN D 120 Hz MAX.	ESR 120 Hz MAX. (Ω)	Z 10 KHz MAX. (Ω)	WEIGHT (G)	CATALOG NUMBER
25	4700	22 X 25	1.7	0.41	0.120	0.105	14	EYH07LU447E02□
	5600	22 X 30	2.0	0.40	0.095	0.090	16	EYH07LV456E02□
	6800	22 X 30	2.1	0.41	0.080	0.075	16	EYH07LV468E02□
	8200	22 X 35	2.4	0.41	0.070	0.060	19	EYH07LA482E02□
	8200	25 X 30	2.5	0.42	0.070	0.065	21	EYH07AV482E02□
	10 000	22 X 40	2.8	0.41	0.055	0.050	22	EYH07LB510E02□
	10 000	25 X 35	2.9	0.42	0.060	0.055	25	EYH07AA510E02□
	12 000	22 X 45	3.1	0.41	0.050	0.045	24	EYH07LC512E02□
	12 000	25 X 40	3.2	0.42	0.050	0.045	28	EYH07AB512E02□
	12 000	30 X 30	3.2	0.45	0.050	0.045	30	EYH07BV512E02□
	15 000	25 X 45	3.6	0.43	0.040	0.035	31	EYH07AC515E02□
	15 000	30 X 35	3.6	0.46	0.045	0.040	35	EYH07BA515E02□
	15 000	35 X 30	3.7	0.49	0.045	0.040	41	EYH07CV515E02□
	18 000	25 X 50	4.0	0.43	0.035	0.030	35	EYH07AD518E02□
	18 000	30 X 40	4.0	0.46	0.035	0.035	40	EYH07BB518E02□
	18 000	35 X 35	4.1	0.49	0.040	0.035	48	EYH07CA518E02□
	22 000	30 X 45	4.4	0.47	0.030	0.030	45	EYH07BC522E02□
	22 000	35 X 35	4.3	0.54	0.035	0.030	48	EYH07CA522E02□
27 000	35 X 45	4.9	0.51	0.030	< 0.030	62	EYH07CC527E02□	
27 000	40 X 40	5.0	0.55	0.030	< 0.030	72	EYH07DB527E02□	
35	3300	22 X 25	1.6	0.33	0.135	0.120	14	EYH07LU433F02□
	3900	22 X 30	1.9	0.33	0.115	0.100	16	EYH07LV439F02□
	4700	22 X 35	2.1	0.33	0.095	0.085	19	EYH07LA447F02□
	4700	25 X 25	2.1	0.34	0.100	0.085	18	EYH07AU447F02□
	5600	22 X 35	2.3	0.34	0.085	0.075	19	EYH07LA456F02□
	5600	25 X 30	2.4	0.34	0.085	0.075	21	EYH07AV456F02□
	5600	30 X 25	2.4	0.35	0.085	0.075	25	EYH07BU456F02□
	6800	22 X 40	2.6	0.34	0.070	0.060	22	EYH07LB468F02□
	6800	25 X 35	2.7	0.34	0.070	0.060	25	EYH07AA468F02□
	6800	30 X 30	2.8	0.35	0.070	0.065	30	EYH07BV468F02□
	8200	22 X 50	3.0	0.33	0.055	0.050	27	EYH07LD482F02□
	8200	25 X 40	3.0	0.33	0.055	0.050	28	EYH07AB482F02□
	8200	30 X 30	3.0	0.36	0.060	0.055	30	EYH07BV482F02□
	10 000	25 X 45	3.4	0.34	0.050	0.040	31	EYH07AC510F02□
	10 000	30 X 35	3.4	0.36	0.050	0.045	35	EYH07BA510F02□
	12 000	25 X 50	3.8	0.35	0.040	0.035	35	EYH07AD512F02□
	12 000	30 X 40	3.8	0.36	0.040	0.040	40	EYH07BB512F02□
	12 000	35 X 30	3.7	0.41	0.050	0.040	41	EYH07CV512F02□
	15 000	30 X 45	4.2	0.37	0.035	0.030	45	EYH07BC515F02□
	15 000	35 X 35	4.1	0.42	0.040	0.035	48	EYH07CA515F02□
	18 000	35 X 40	4.5	0.42	0.035	0.030	55	EYH07CB518F02□
	22 000	35 X 45	5.0	0.43	0.030	< 0.030	62	EYH07CC522F02□
22 000	40 X 40	5.0	0.47	0.030	< 0.030	72	EYH07DB522F02□	
27 000	40 X 50	5.9	0.45	< 0.030	< 0.030	89	EYH07DD527F02□	



Aluminum Capacitors  
Standard - 105 °C Snap-in

Vishay Roederstein

**ELECTRICAL DATA AND ORDERING INFORMATION**

U <sub>R</sub> (V)	C <sub>R</sub> 120 Hz (µF)	NOMINAL CASE SIZE Ø D X L (mm)	IR 120 Hz 105 °C (A)	TAN D 120 Hz MAX.	ESR 120 Hz MAX. (Ω)	Z 10 KHz MAX. (Ω)	WEIGHT (G)	CATALOG NUMBER
50	2700	22 X 30	1.9	0.28	0.140	0.120	16	EYH07LV427H02□
	3300	22 X 35	2.2	0.28	0.115	0.100	19	EYH07LA433H02□
	3900	22 X 40	2.5	0.28	0.100	0.085	22	EYH07LB439H02□
	3900	25 X 35	2.6	0.29	0.100	0.085	25	EYH07AA439H02□
	3900	30 X 25	2.5	0.29	0.100	0.085	25	EYH07BU439H02□
	4700	22 X 45	2.8	0.28	0.080	0.070	24	EYH07LC447H02□
	4700	25 X 40	2.9	0.29	0.085	0.070	28	EYH07AB447H02□
	4700	30 X 30	2.9	0.29	0.085	0.070	30	EYH07BV447H02□
	5600	22 X 50	3.1	0.28	0.070	0.060	27	EYH07LD456H02□
	5600	25 X 40	3.1	0.29	0.070	0.060	28	EYH07AB456H02□
	5600	30 X 35	3.2	0.29	0.070	0.060	35	EYH07BA456H02□
	6800	25 X 50	3.6	0.29	0.060	0.050	35	EYH07AD468H02□
	6800	30 X 40	3.6	0.29	0.060	0.050	40	EYH07BB468H02□
	6800	35 X 30	3.5	0.31	0.065	0.055	41	EYH07CV468H02□
	8200	30 X 45	3.9	0.29	0.050	0.040	45	EYH07BC482H02□
	8200	35 X 35	3.9	0.31	0.055	0.045	48	EYH07CA482H02□
	10 000	30 X 50	4.4	0.30	0.040	0.035	50	EYH07BD510H02□
	10 000	35 X 40	4.4	0.31	0.045	0.035	55	EYH07CB510H02□
	12 000	35 X 45	4.8	0.31	0.035	0.030	62	EYH07CC512H02□
	15 000	35 X 50	5.2	0.32	0.030	< 0.030	68	EYH07CD515H02□
15 000	40 X 40	5.1	0.31	0.030	< 0.030	72	EYH07DB515H02□	
18 000	40 X 50	5.8	0.31	< 0.030	< 0.030	89	EYH07DD518H02□	
22 000	40 X 50	6.0	0.37	< 0.030	< 0.030	89	EYH07DD522H02□	
27 000	40 X 60	6.6	0.37	< 0.030	< 0.030	107	EYH07DF527H02□	
63	1200	22 X 25	1.4	0.21	0.235	0.185	14	EYH07LU412J02□
	1500	22 X 30	1.5	0.21	0.190	0.150	16	EYH07LV415J02□
	1500	25 X 25	1.5	0.21	0.190	0.150	18	EYH07AU415U02□
	1800	22 X 30	1.6	0.21	0.155	0.125	16	EYH07LV418J02□
	1800	25 X 25	1.7	0.21	0.155	0.125	18	EYH07AU418U02□
	2200	22 X 35	1.9	0.21	0.130	0.105	19	EYH07LA422J02□
	2200	25 X 30	1.9	0.21	0.130	0.105	21	EYH07AV422J02□
	2700	22 X 40	2.2	0.21	0.105	0.085	22	EYH07LB427J02□
	2700	25 X 30	2.1	0.21	0.105	0.085	21	EYH07AV427J02□
	2700	30 X 25	2.2	0.22	0.110	0.090	25	EYH07BU427U02□
	3300	22 X 50	2.5	0.21	0.085	0.070	27	EYH07LD433J02□
	3300	25 X 40	2.5	0.21	0.085	0.070	28	EYH07AB433J02□
	3300	30 X 30	2.5	0.22	0.090	0.070	30	EYH07BV433J02□
	3900	25 X 45	2.9	0.21	0.075	0.060	31	EYH07AC439J02□
	3900	30 X 35	2.8	0.22	0.075	0.060	35	EYH07BA439J02□
	4700	25 X 40	3.2	0.21	0.060	0.050	28	EYH07AB447J02□
	4700	30 X 40	3.2	0.22	0.065	0.050	40	EYH07BB447J02□
	4700	35 X 30	3.1	0.24	0.070	0.055	41	EYH07CV447J02□
	5600	30 X 45	3.5	0.22	0.055	0.045	45	EYH07BC456J02□
	5600	35 X 35	3.5	0.24	0.060	0.045	48	EYH07CA456J02□
	6800	30 X 50	3.9	0.22	0.045	0.035	50	EYH07BD468J02□
	6800	35 X 40	3.9	0.24	0.050	0.040	55	EYH07CB468J02□
	8200	35 X 45	4.2	0.24	0.040	0.035	62	EYH07CC482J02□
	10 000	35 X 50	4.7	0.24	0.035	0.030	68	EYH07CD510J02□
	10 000	40 X 40	4.6	0.28	0.040	0.030	72	EYH07DB510J02□



ELECTRICAL DATA AND ORDERING INFORMATION								
U <sub>R</sub> (V)	C <sub>R</sub> 120 Hz (μF)	NOMINAL CASE SIZE Ø D X L (mm)	IR 120 Hz 105 °C (A)	TAN D 120 Hz MAX.	ESR 120 Hz MAX. (Ω)	Z 10 KHz MAX. (Ω)	WEIGHT (G)	CATALOG NUMBER
100	820	22 X 30	1.5	0.17	0.275	0.190	16	EYH07LV382L02□
	820	25 X 25	1.5	0.17	0.275	0.190	18	EYH07AU382L02□
	1000	22 X 35	1.7	0.17	0.230	0.160	19	EYH07LA410L02□
	1000	25 X 30	1.8	0.17	0.230	0.160	21	EYH07AV410L02□
	1200	22 X 40	1.9	0.17	0.190	0.130	22	EYH07LB412L02□
	1200	25 X 35	1.9	0.17	0.190	0.130	25	EYH07AA412L02□
	1200	30 X 25	1.9	0.17	0.190	0.130	25	EYH07BU412L02□
	1500	22 X 45	2.2	0.17	0.155	0.105	24	EYH07LC415L02□
	1500	25 X 40	2.3	0.17	0.155	0.105	28	EYH07AB415L02□
	1500	30 X 30	2.2	0.17	0.155	0.105	30	EYH07BV415L02□
	1800	25 X 45	2.6	0.17	0.130	0.090	31	EYH07AC418L02□
	1800	30 X 35	2.6	0.17	0.130	0.090	35	EYH07BA418L02□
	2200	25 X 50	2.9	0.17	0.105	0.075	35	EYH07AD422L02□
	2200	30 X 40	2.8	0.17	0.105	0.075	40	EYH07BB422L02□
	2200	35 X 30	2.8	0.18	0.110	0.075	41	EYH07CV422L02□
	2700	30 X 45	3.3	0.17	0.085	0.060	45	EYH07BC427L02□
	2700	35 X 35	3.2	0.18	0.090	0.065	48	EYH07CA427L02□
	3300	30 X 50	3.6	0.17	0.070	0.050	50	EYH07BD433L02□
	3300	35 X 40	3.6	0.18	0.075	0.050	55	EYH07CB433L02□
	3900	35 X 45	4.0	0.18	0.065	0.045	62	EYH07CC439L02□
	4700	35 X 50	4.4	0.18	0.055	0.040	68	EYH07CD447L02□
	4700	40 X 40	4.3	0.19	0.055	0.040	72	EYH07DB447L02□
	5600	40 X 50	4.9	0.19	0.045	0.035	89	EYH07DD456L02□
	6800	40 X 50	5.2	0.20	0.040	0.030	89	EYH07DD468L02□

**LEAKAGE CURRENT**

Formula for the calculation of the maximum leakage current I<sub>L</sub> for acceptance tests. Testing conditions: U<sub>R</sub>, 20 °C, 5 minutes.

$$I_{L(300S)}/\mu A \leq 3 \times \sqrt{(C_R/\mu F) \times (U_R/V)}$$

**LIFETIME TABLE U<sub>R</sub> ≤ 100 V**

INTERRELATION BETWEEN ALTERNATING CURRENT, AMBIENT TEMPERATURE AND LIFETIME																				
I <sub>R</sub> (FREQUENCY DEPENDENT)							LIFETIME MULTIPLIER L (depending on I <sub>R</sub> and T <sub>a</sub> )													
FREQUENCY [Hz]							AMBIENT TEMPERATURE T <sub>a</sub> [°C]													
50	100	120	250	500	1000	>2500	40	45	50	55	60	65	70	75	80	85	90	95	100	105
0	0	0	0	0	0	0	200	127	81	53	35	23	16	11	7.4	5.1	3.6	2.6	1.84	1.33
0.17	0.20	0.20	0.21	0.22	0.23	0.23	194	123	79	51	34	23	15	10	7.2	5.0	3.5	2.5	1.81	1.31
0.35	0.39	0.40	0.42	0.44	0.46	0.47	177	113	74	48	32	21	14	9.9	6.9	4.8	3.4	2.4	1.73	1.25
0.52	0.59	0.60	0.64	0.66	0.68	0.70	157	101	66	43	29	19	13	9.1	6.3	4.5	3.2	2.3	1.63	1.18
0.70	0.78	0.80	0.85	0.88	0.91	0.94	132	86	57	38	25	17	12	8.2	5.8	4.1	2.9	2.1	1.50	1.09
0.87	0.98	<b>1.00</b>	1.06	1.10	1.14	1.17	108	72	48	32	22	15	10	7.2	5.1	3.6	2.6	1.9	1.36	<b>1.00</b>
1.04	1.17	1.20	1.27	1.32	1.37	1.40	86	58	39	27	18	13	8.9	6.2	4.4	3.2	2.3	1.6	1.20	
1.22	1.37	1.40	1.48	1.54	1.60	1.64	67	46	31	22	15	11	7.4	5.3	3.8	2.7	2.0	1.4	1.05	
1.39	1.56	1.60	1.70	1.76	1.82	1.87	51	35	25	17	12	8.6	6.1	4.4	3.2	2.3	1.7	1.2		
1.57	1.76	1.80	1.91	1.98	2.05	2.11	38	27	19	14	9.7	6.9	5.0	3.6	2.6	1.9	1.4	1.0		
1.74	1.95	2.00	2.12	2.20	2.28	2.34	28	20	15	10	7.6	5.5	4.0	2.9	2.1	1.6	1.2			
1.91	2.15	2.20	2.33	2.42	2.51	2.57	20	15	11	7.9	5.8	4.3	3.1	2.3	1.7	1.3				
2.09	2.34	2.40	2.54	2.64	2.74	2.81	15	11	8.1	6.0	4.4	3.3	2.4	1.8	1.4	1.0				
2.26	2.54	2.60	2.76	2.86	2.96	3.04	11	7.9	5.9	4.4	3.3	2.5	1.9	1.4	1.1					
2.44	2.73	2.80	2.97	3.08	3.19	3.28	7.5	5.7	4.3	3.3	2.5	1.9	1.4	1.1						
2.61	2.93	3.00	3.18	3.30	3.42	3.51	5.3	4.1	3.1	2.4	1.8	1.4	1.1							
2.78	3.12	3.20	3.39	3.52	3.65	3.74	3.7	2.9	2.2	1.7	1.3	1.0								
2.96	3.32	3.40	3.60	3.74	3.88	3.98	2.5	2.0	1.6	1.2	1.0									
3.13	3.51	3.60	3.82	3.96	4.10	4.21	1.8	1.4	1.1											
3.31	3.71	3.80	4.03	4.18	4.33	4.45	1.2	1.0												

I<sub>R</sub> Rated ripple current (120 Hz, rms) [A] at upper category temperature T<sub>UC</sub> taken from data sheet.

I User ripple current [A].

T<sub>a</sub> Ambient temperature of capacitor [°C].

L Lifetime multiplier.

Regard L as a function of ambient temperature (x-axis) and of current (y-axis); use the current-axis according to the frequency





## Notice

Specifications of the products displayed herein are subject to change without notice. Vishay Intertechnology, Inc., or anyone on its behalf, assumes no responsibility or liability for any errors or inaccuracies.

Information contained herein is intended to provide a product description only. No license, express or implied, by estoppel or otherwise, to any intellectual property rights is granted by this document. Except as provided in Vishay's terms and conditions of sale for such products, Vishay assumes no liability whatsoever, and disclaims any express or implied warranty, relating to sale and/or use of Vishay products including liability or warranties relating to fitness for a particular purpose, merchantability, or infringement of any patent, copyright, or other intellectual property right.

The products shown herein are not designed for use in medical, life-saving, or life-sustaining applications. Customers using or selling these products for use in such applications do so at their own risk and agree to fully indemnify Vishay for any damages resulting from such improper use or sale.